

- Digital Visual Interface (DVI) Compliant<sup>1</sup>
- Supports Resolutions From VGA to UXGA (25 MHz – 165 MHz Pixel Rates)
- Universal Graphics Controller Interface
  - 12-Bit, Dual-Edge and 24-Bit, Single-Edge Input Modes
  - Adjustable 1.1 V to 1.8 V and Standard 3.3 V CMOS Input Signal Levels
  - Fully Differential and Single-Ended Input Clocking Modes
  - Standard Intel 12-Bit Digital Video Port Compatible as on Intel™ 81x Chipsets
- Enhanced PLL Noise Immunity
  - On-Chip Regulators and Bypass Capacitors for Reducing System Costs
- Enhanced Jitter Performance
  - No HSYNC Jitter Anomaly
  - Negligible Data-Dependent Jitter
- Programmable Using I<sup>2</sup>C Serial Interface
- Monitor Detection Through Hot-Plug and Receiver Detection
- Single 3.3-V Supply Operation
- 64-Pin TQFP Using TI's PowerPAD™ Package
- TI's Advanced 0.18 μm EPIC-5™ CMOS Process Technology
- Pin Compatible With Sil164 DVI Transmitter

## description

The TFP410 is a Texas Instruments *PanelBus* flat panel display product, part of a comprehensive family of end-to-end DVI 1.0-compliant solutions, targeted at the PC and consumer electronics industry.

The TFP410 provides a universal interface to allow a glue-less connection to most commonly available graphics controllers. Some of the advantages of this universal interface include selectable bus widths, adjustable signal levels, and differential and single-ended clocking. The adjustable 1.1-V to 1.8-V digital interface provides a low-EMI, high-speed bus that connects seamlessly with 12-bit or 24-bit interfaces. The DVI interface supports flat panel display resolutions up to UXGA at 165 MHz in 24-bit true color pixel format.

The TFP410 combines *PanelBus* circuit innovation with TI's advanced 0.18 μm EPIC-5 CMOS process technology and TI's ultralow ground inductance PowerPAD package. The result is a compact 64-pin TQFP package providing a reliable, low-current, low-noise, high-speed digital interface solution.



This device contains circuits to protect its inputs and outputs against damage due to high static voltages or electrostatic fields. These circuits have been qualified to protect this device against electrostatic discharges (ESD) of up to 2 kV according to MIL-STD-883C, Method 3015; however, it is advised that precautions be taken to avoid application of any voltage higher than maximum-rated voltages to these high-impedance circuits. During storage or handling, the device leads should be shorted together or the device should be placed in conductive foam. In a circuit, unused inputs should always be connected to an appropriated logic voltage level, preferably either V<sub>CC</sub> or ground. Specific guidelines for handling devices of this type are contained in the publication *Guidelines for Handling Electrostatic-Discharge-Sensitive (ESDS) Devices and Assemblies* available from Texas Instruments.



Please be aware that an important notice concerning availability, standard warranty, and use in critical applications of Texas Instruments semiconductor products and disclaimers thereto appears at the end of this data sheet.

### Footnote:

1. The digital visual interface (DVI) specification is an industry standard developed by the digital display working group (DDWG) for high-speed digital connection to digital displays and has been adopted by industry-leading PC and consumer electronics manufacturers. The TFP410 is compliant to the DVI Revision 1.0 specification.

PanelBus, PowerPAD, and EPIC-5 are trademarks of Texas Instruments.

VESA is a trademark of Video Electronics Standards Association.

Intel is a trademark of Intel Corporation.

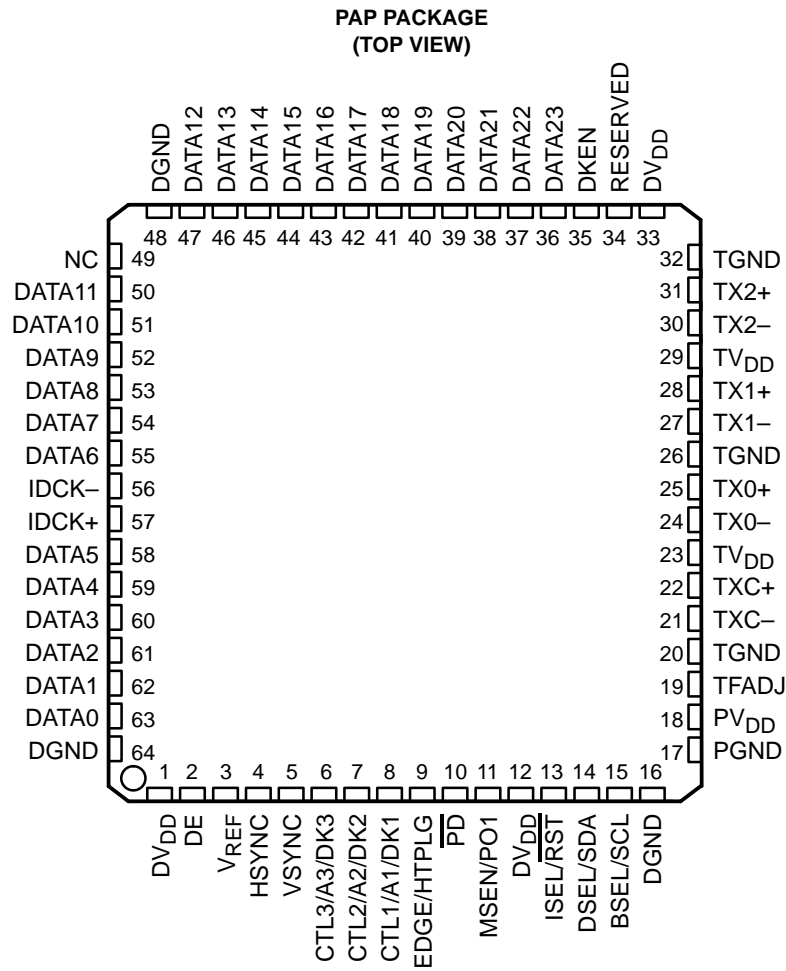
PRODUCTION DATA information is current as of publication date. Products conform to specifications per the terms of Texas Instruments standard warranty. Production processing does not necessarily include testing of all parameters.



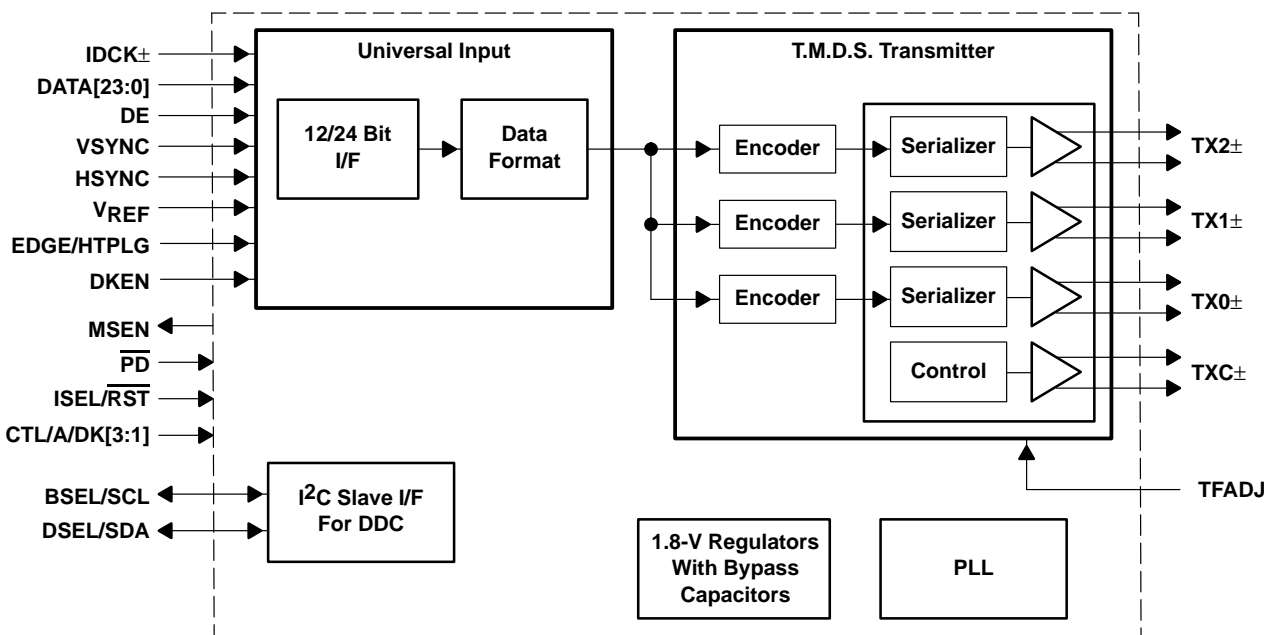
# TFP410 TI PanelBus™ DIGITAL TRANSMITTER

SLDS145A – OCTOBER 2001 – REVISED JANUARY 2002

## pin assignments



**functional block diagram**



**Terminal Functions**

TERMINAL NAME	NO.	I/O	DESCRIPTION
<b>Input</b>			
DATA[23:12]	36–47	I	The upper 12 bits of the 24-bit pixel bus In 24-bit, single-edge input mode (BSEL = high), this bus inputs the top half of the 24-bit pixel bus. In 12-bit, dual-edge input mode (BSEL = low), these bits are not used to input pixel data. In this mode, the state of DATA[23:16] is input to the I <sup>2</sup> C register CFG. This allows 8 bits of user configuration data to be read by the graphics controller through the I <sup>2</sup> C interface (see the I <sup>2</sup> C register descriptions section). Note: All unused data inputs should be tied to GND or V <sub>DD</sub> .
DATA[11:0]	50–55, 58–63	I	The lower 12 bits of the 24-bit pixel bus/12-bit pixel bus input In 24-bit, single-edge input mode (BSEL = high), this bus inputs the bottom half of the 24-bit pixel bus. In 12-bit, dual-edge input mode (BSEL = low), this bus inputs 1/2 a pixel (12 bits) at every latch edge (both rising and falling) of the clock.
IDCK– IDCK+	56 57	I	Differential clock input. The TFP410 supports both single-ended and fully differential clock input modes. In the single-ended clock input mode, the IDCK+ input (pin 57) should be connected to the single-ended clock source and the IDCK– input (pin 56) should be tied to GND. In the differential clock input mode, the TFP410 uses the crossover point between the IDCK+ and IDCK– signals as the timing reference for latching incoming data DATA[23:0], DE, HSYNC, & VSYNC. The differential clock input mode is only available in the low signal swing mode.
DE	2	I	Data enable. As defined in DVI 1.0 specification, the DE signal allows the transmitter to encode pixel data or control data on any given input clock cycle. During active video (DE = high), the transmitter encodes pixel data, DATA[23:0]. During the blanking interval (DE = low), the transmitter encodes HSYNC, VSYNC and CTL[3:1].
HSYNC	4	I	Horizontal sync input
VSYNC	5	I	Vertical sync input

# TFP410 TI PanelBus™ DIGITAL TRANSMITTER

SLDS145A – OCTOBER 2001 – REVISED JANUARY 2002

## Terminal Functions (Continued)

TERMINAL NAME	NO.	I/O	DESCRIPTION
CTL3/A3/DK3 CTL2/A2/DK2 CTL1/A1/DK1	6 7 8	I	<p>The operation of these three multifunction inputs depends on the settings of the ISEL (pin 13) and DKEN (pin 35) inputs. All three inputs support 3.3-V CMOS signal levels and contain weak pulldown resistors so that if left unconnected they default to all low.</p> <p>When the I<sup>2</sup>C bus is disabled (ISEL = low) and the de-skew mode is disabled (DKEN = low), these three inputs become the control inputs, CTL[3:1], which can be used to send additional information across the DVI link during the blanking interval (DE = low). The CTL3 input is reserved for HDCP compliant DVI TXs (TFP510) and the CTL[2:1] inputs are reserved for future use.</p> <p>When the I<sup>2</sup>C bus is disabled (ISEL = low) and the de-skew mode is enabled (DKEN = high), these three inputs become the de-skew inputs DK[3:1], used to adjust the setup and hold times of the pixel data inputs DATA[23:0], relative to the clock input IDCK±.</p> <p>When the I<sup>2</sup>C bus is enabled (ISEL = high), these three inputs become the 3 LSBs of the I<sup>2</sup>C slave address, A[3:1].</p>
<b>Configuration/Programming</b>			
MSEN/PO1	11	O	<p>Monitor sense/programmable output 1. The operation of this pin depends on whether the I<sup>2</sup>C interface is enabled or disabled. This pin has an open-drain output and is only 3.3-V tolerant. An external 5-kΩ pullup resistor connected to V<sub>DD</sub> is required on this pin.</p> <p>When I<sup>2</sup>C is disabled (ISEL = low), a low level indicates a powered on receiver is detected at the differential outputs. A high level indicates a powered on receiver is not detected. This function is only valid in dc-coupled systems.</p> <p>When I<sup>2</sup>C is enabled (ISEL = high), this output is programmable through the I<sup>2</sup>C interface (see the I<sup>2</sup>C register descriptions section).</p>
ISEL/RST	13	I	<p>I<sup>2</sup>C interface select/I<sup>2</sup>C RESET (active low, asynchronous)</p> <p>If ISEL is high, then the I<sup>2</sup>C interface is active. Default values for the I<sup>2</sup>C registers can be found in the I<sup>2</sup>C register descriptions section.</p> <p>If ISEL is low, then I<sup>2</sup>C is disabled and the chip configuration is specified by the configuration pins (BSEL, DSEL, EDGE, V<sub>REF</sub>) and state pins (PD, DKEN).</p> <p>If ISEL is brought low and then back high, the I<sup>2</sup>C state machine is reset. The register values are changed to their default values and are not preserved from before the reset.</p>
BSEL/SCL	15	I	<p>Input bus select/I<sup>2</sup>C clock input. The operation of this pin depends on whether the I<sup>2</sup>C interface is enabled or disabled. This pin is only 3.3-V tolerant.</p> <p>When I<sup>2</sup>C is disabled (ISEL = low), a high level selects 24-bit input, single-edge input mode. A low level selects 12-bit input, dual-edge input mode.</p> <p>When I<sup>2</sup>C is enabled (ISEL = high), this pin functions as the I<sup>2</sup>C clock input (see the I<sup>2</sup>C register descriptions section). In this configuration, this pin has an open-drain output that requires an external 5-kΩ pullup resistor connected to V<sub>DD</sub>.</p>
DSEL/SDA	14	I/O	<p>DSEL/I<sup>2</sup>C data. The operation of this pin depends on whether the I<sup>2</sup>C interface is enabled or disabled. This pin is only 3.3-V tolerant.</p> <p>When I<sup>2</sup>C is disabled (ISEL = low), this pin is used with BSEL and V<sub>REF</sub> to select the single-ended or differential input clock mode (see the universal graphics controller interface modes section).</p> <p>When I<sup>2</sup>C is enabled (ISEL = high), this pin functions as the I<sup>2</sup>C bidirectional data line. In this configuration, this pin has an open-drain output that requires an external 5-kΩ pullup resistor connected to V<sub>DD</sub>.</p>
EDGE/HTPLG	9	I	<p>Edge select/hot plug input. The operation of this pin depends on whether the I<sup>2</sup>C interface is enabled or disabled. This input is 3.3-V tolerant only.</p> <p>When I<sup>2</sup>C is disabled (ISEL = low), a high level selects the primary latch to occur on the rising edge of the input clock IDCK+. A low level selects the primary latch to occur on the falling edge of the input clock IDCK+. This is the case for both single-ended and differential input clock modes.</p> <p>When I<sup>2</sup>C is enabled (ISEL = high), this pin is used to monitor the hot plug detect signal (see the DVI or VESA™ P&amp;D and DFP standards). When used for hot-plug detection, this pin requires a series 1-kΩ resistor.</p>



### Terminal Functions (Continued)

TERMINAL NAME	NO.	I/O	DESCRIPTION
DKEN	35	I	Data de-skew enable. The de-skew function can be enabled either through I <sup>2</sup> C or by this pin when I <sup>2</sup> C is disabled. When de-skew is enabled, the input clock to data setup/hold time can be adjusted in discrete trim increments. The amount of trim per increment is defined by t <sub>(STEP)</sub> . When I <sup>2</sup> C is disabled (ISEL = low), a high level enables de-skew with the trim increment determined by pins DK[3:1] (see the <i>data de-skew</i> section). A low level disables de-skew and the default trim setting is used. When I <sup>2</sup> C is enabled (ISEL = high), the value of DKEN and the trim increment are selected through I <sup>2</sup> C. In this configuration, the DKEN pin should be tied to either GND or V <sub>DD</sub> to avoid a floating input.
V <sub>REF</sub>	3	I	Input reference voltage. Selects the swing range of the digital data inputs (DATA[23:0], DE, HSYNC, VSYNC, and IDCK±). For high-swing 3.3-V input signal levels, V <sub>REF</sub> should be tied to V <sub>DD</sub> . For low-swing input signal levels, V <sub>REF</sub> should be set to half of the maximum input voltage level. See the <i>recommended operating conditions</i> section for the allowable range for V <sub>REF</sub> . The desired V <sub>REF</sub> voltage level is typically derived using a simple voltage-divider circuit.
$\overline{\text{PD}}$	10	I	Power down (active low). In the powerdown state, only the digital I/O buffers and I <sup>2</sup> C interface remain active. When I <sup>2</sup> C is disabled (ISEL = low), a high level selects the normal operating mode. A low level selects the powerdown mode. When I <sup>2</sup> C is enabled (ISEL = high), the power-down state is selected through I <sup>2</sup> C. In this configuration, the $\overline{\text{PD}}$ pin should be tied to GND. Note: The default register value for $\overline{\text{PD}}$ is low, so the device is in powerdown mode when I <sup>2</sup> C is first enabled or after an I <sup>2</sup> C RESET.
<b>Reserved</b>			
RESERVED	34	In	This pin is reserved and must be tied to GND for normal operation.
<b>DVI Differential Signal Output Pins</b>			
TX0+	25	O	Channel 0 DVI differential output pair. TX0± transmits the 8-bit blue pixel data during active video and HSYNC and VSYNC during the blanking interval.
TX0–	24	O	
TX1+	28	O	Channel 1 DVI differential output pair. TX1± transmits the 8-bit green pixel data during active video and CTL[1] during the blanking interval.
TX1–	27	O	
TX2+	31	O	Channel 2 DVI differential output pair. TX2± transmits the 8-bit red pixel data during active video and CTL[3:2] during the blanking interval.
TX2–	30	O	
TXC+	22	O	DVI differential output clock.
TXC–	21	O	
TFADJ	19	I	Full-scale adjust. This pin controls the amplitude of the DVI output voltage swing, determined by the value of the pullup resistor R <sub>TFADJ</sub> connected to TV <sub>DD</sub> .
<b>Power and Ground Pins</b>			
DV <sub>DD</sub>	1, 12, 33	Power	Digital power supply. Must be set to 3.3 V nominal.
PV <sub>DD</sub>	18	Power	PLL power supply. Must be set to 3.3 V nominal.
TV <sub>DD</sub>	23, 29	Power	Transmitter differential output driver power supply. Must be set to 3.3 V nominal.
DGND	16, 48, 64	Ground	Digital ground
PGND	17	Ground	PLL ground
TGND	20, 26, 32	Ground	Transmitter differential output driver ground
NC	49	NC	No connection required. If connected, tie high.

# TFP410

## TI PanelBus™ DIGITAL TRANSMITTER

SLDS145A – OCTOBER 2001 – REVISED JANUARY 2002

### absolute maximum ratings over operating free-air temperature (unless otherwise noted)†

Supply voltage range, DV <sub>DD</sub> , PV <sub>DD</sub> , TV <sub>DD</sub> .....	-0.5 V to 4 V
Input voltage, logic/analog signals .....	-0.5 V to 4 V
External DVI single-ended termination resistance, R <sub>T</sub> .....	0 Ω to open circuit
External TFADJ resistance, R <sub>TFADJ</sub> .....	300 Ω to open circuit
Storage temperature range, T <sub>STG</sub> .....	-65°C to 150°C
Case temperature for 10 seconds .....	260°C
Lead temperature 1,6 mm (1/16 inch) from case for 10 seconds .....	260°C
ESD protection, DVI pins .....	4 kV Human body model
ESD protection, all other pins .....	2 kV Human body model
JEDEC latch-up (EIA/JESD78) .....	100 mA

† Stresses beyond those listed under “absolute maximum ratings” may cause permanent damage to the device. These are stress ratings only, and functional operation of the device at these or any other conditions beyond those indicated under “recommended operating conditions” is not implied. Exposure to absolute-maximum-rated conditions for extended periods may affect device reliability.

### recommended operating conditions

		MIN	NOM	MAX	UNIT
Supply voltage, V <sub>DD</sub> (DV <sub>DD</sub> , PV <sub>DD</sub> , TV <sub>DD</sub> )		3.0	3.3	3.6	V
Input reference voltage, V <sub>REF</sub>	Low-swing mode	0.55	V <sub>DDQ</sub> /2‡	0.9	V
	High-swing mode			DV <sub>DD</sub>	V
DVI termination supply voltage, AV <sub>DD</sub> (see Note 1)	DVI receiver	3.14	3.3	3.46	V
DVI Single-ended termination resistance, R <sub>T</sub> (see Note 2)	DVI receiver	45	50	55	Ω
TFADJ resistor for DVI-compliant V <sub>(SWING)</sub> range, R <sub>(TFADJ)</sub>	400 mV = V <sub>(SWING)</sub> = 600 mV	505	510	515	Ω
Operating free-air temperature range, T <sub>A</sub>		0	25	70	°C

‡ V<sub>DDQ</sub> defines the maximum low-level input voltage, it is not an actual input voltage.

NOTES: 1. AV<sub>DD</sub> is the termination supply voltage of the DVI link.

2. R<sub>T</sub> is the single-ended termination resistance at the receiver end of the DVI link.



**electrical characteristics over recommended operating free-air temperature range (unless otherwise noted)**

**dc specifications**

PARAMETERS		TEST CONDITIONS	MIN	TYP	MAX	UNIT
V <sub>IH</sub>	High-level input voltage (CMOS input)	V <sub>REF</sub> = DV <sub>DD</sub>	0.7 V <sub>DD</sub>		V <sub>REF</sub> + 0.2	V
		0.5 V ≤ V <sub>REF</sub> ≤ 0.95 V				
V <sub>IL</sub>	Low-level input voltage (CMOS input)	V <sub>REF</sub> = DV <sub>DD</sub>	0.3V <sub>DD</sub>		V <sub>REF</sub> - 0.2	V
		0.5 V ≤ V <sub>REF</sub> ≤ 0.95 V				
V <sub>OH</sub>	High-level digital output voltage (open-drain output)	V <sub>DD</sub> = 3 V, I <sub>OH</sub> = 20 μA	2.4			V
V <sub>OL</sub>	Low-level digital output voltage (open-drain output)	V <sub>DD</sub> = 3.6 V, I <sub>OL</sub> = 4 mA			0.4	V
I <sub>IH</sub>	High-level input current	V <sub>I</sub> = 3.6 V			±25	μA
I <sub>IL</sub>	Low-level input current	V <sub>I</sub> = 0			±25	μA
V <sub>H</sub>	DVI single-ended high-level output voltage	AV <sub>DD</sub> = 3.3 V ± 5%, R <sub>T</sub> † = 50 Ω ± 10%, R <sub>T</sub> FADJ = 510 Ω ± 1%	AV <sub>DD</sub> - 0.01	AV <sub>DD</sub> + 0.01		V
V <sub>L</sub>	DVI single-ended low-level output voltage		AV <sub>DD</sub> - 0.6	AV <sub>DD</sub> - 0.4		V
V <sub>SWING</sub>	DVI single-ended output swing voltage		400		600	mV <sub>P-P</sub>
V <sub>OFF</sub>	DVI single-ended standby/off output voltage		AV <sub>DD</sub> - 0.01	AV <sub>DD</sub> + 0.01		V
I <sub>PD</sub>	Power-down current (see Note 3)		200		500	μA
I <sub>I</sub> DD	Normal power supply current	Worst case pattern‡	200		250	mA

† R<sub>T</sub> is the single-ended termination resistance at the receiver end of the DVI link.

‡ Black and white checkerboard pattern, each checker is one pixel wide.

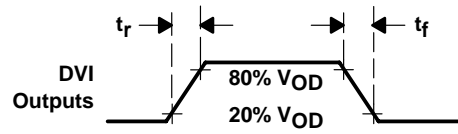
NOTE 3: Assumes all inputs to the transmitter are not toggling.

**ac specifications**

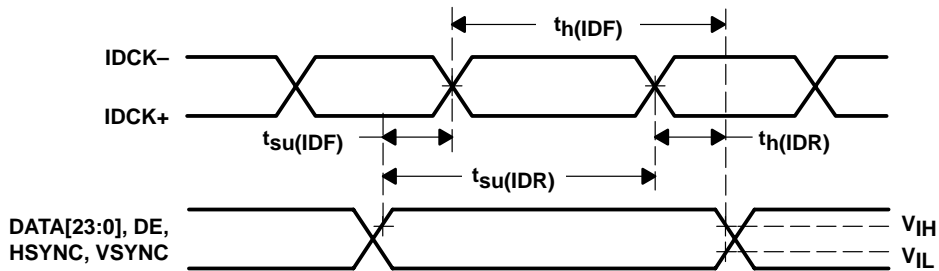
PARAMETER		TEST CONDITIONS	MIN	TYP	MAX	UNIT	
f <sub>(IDCK)</sub>	IDCK frequency		25		165	MHz	
t <sub>(pixel)</sub>	Pixel time period (see Note 4)		6.06		40	ns	
t <sub>(IDCK)</sub>	IDCK duty cycle		30%		70%		
t <sub>(jitt)</sub>	IDCK clock jitter tolerance			2		ns	
t <sub>r</sub>	DVI output rise time (20-80%) (see Note 5)	f <sub>(IDCK)</sub> = 165 MHz	75		240	ps	
t <sub>f</sub>	DVI output fall time (20-80%) (see Note 5)		75		240	ps	
t <sub>sk(D)</sub>	DVI output intra-pair + to - differential skew (see Note 6)			50		ps	
t <sub>sk(CC)</sub>	DVI output inter-pair or channel-to-channel skew (see Note 6)				1.2	ns	
t <sub>ojit</sub>	DVI output clock jitter, max. (see Note 7)				150	ps	
t <sub>su(IDF)</sub>	Data, DE, VSYNC, HSYNC setup time to IDCK+ falling edge		Single edge (BSEL=1, DSEL=0, DKEN=0, EDGE=0)	1.2			ns
t <sub>h(IDF)</sub>	Data, DE, VSYNC, HSYNC hold time to IDCK+ falling edge			1.3			ns
t <sub>su(IDR)</sub>	Data, DE, VSYNC, HSYNC setup time to IDCK+ rising edge	Single edge (BSEL=1, DSEL=0, DKEN=0, EDGE=1)	1.2			ns	
t <sub>h(IDR)</sub>	Data, DE, VSYNC, HSYNC hold time to IDCK+ rising edge		1.3			ns	
t <sub>su(ID)</sub>	Data, DE, VSYNC, HSYNC setup time to IDCK+ falling/rising edge	Dual edge (BSEL=0, DSEL=1, DKEN=0)	0.9			ns	
t <sub>h(ID)</sub>	Data, DE, VSYNC, HSYNC hold time to IDCK+ falling/rising edge	Dual edge (BSEL=0, DSEL=1, DKEN=0)	1			ns	
t <sub>(STEP)</sub>	De-skew trim increment	DKEN = 1		350		ps	

- NOTES: 4. t<sub>(pixel)</sub> is the pixel time defined as the period of the TXC output clock. The period of IDCK is equal to t<sub>(pixel)</sub>.  
5. Rise and fall times are measured as the time between 20% and 80% of signal amplitude.  
6. Measured differentially at the 50% crossing point using the IDCK+ input clock as a trigger.  
7. Relative to input clock (IDCK).

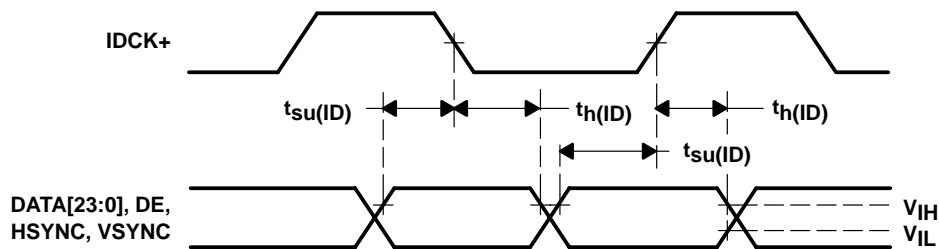
**timing diagrams**



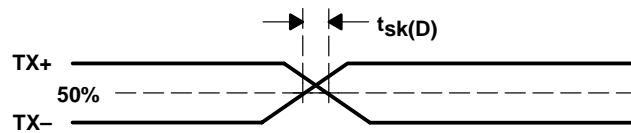
**Figure 1. Rise and Fall Time for DVI Outputs**



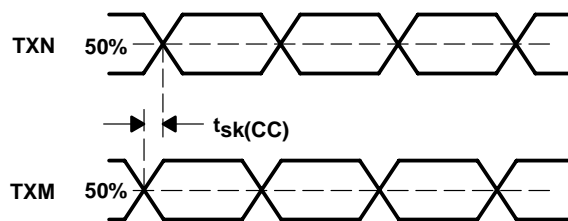
**Figure 2. Control and Single-Edge-Data Setup/Hold Time to IDCK±**



**Figure 3. Dual Edge Data Setup/Hold Times to IDCK+**



**Figure 4. Analog Output Intra-Pair ± Differential Skew**



**Figure 5. Analog Output Channel-to-Channel Skew**



---

## functional description

The TFP410 is a DVI-compliant digital transmitter that is used in digital host monitor systems to T.M.D.S. encode and serialize RGB pixel data streams. TFP410 supports resolutions from VGA to UXGA and can be controlled in two ways: 1) configuration and state pins or 2) the programmable I<sup>2</sup>C serial interface (see the *terminal functions* section).

The host in a digital display system, usually a PC or consumer electronics device, contains a DVI-compatible transmitter such as the TI TFP410 that receives 24-bit pixel data along with appropriate control signals. The TFP410 encodes the signals into a high speed, low voltage, differential serial bit stream optimized for transmission over a twisted-pair cable to a display device. The display device, usually a flat-panel monitor, requires a DVI compatible receiver like the TI TFP401 to decode the serial bit stream back to the same 24-bit pixel data and control signals that originated at the host. This decoded data can then be applied directly to the flat panel drive circuitry to produce an image on the display. Since the host and display can be separated by distances up to 5 meters or more, serial transmission of the pixel data is preferred (see the *T.M.D.S. pixel data and control signal encoding, pixel data and control signal encoding, universal graphics controller interface voltage signal levels, and universal graphics controller interface clock inputs* sections).

The TFP410 integrates a high-speed digital interface, a T.M.D.S. encoder, and three differential T.M.D.S. drivers. Data is driven to the TFP410 encoder across 12 or 24 data lines, along with differential clock pair and sync signals. The flexibility of the TFP410 allows for multiple clock and data formats that enhance system performance.

The TFP410 also has enhanced PLL noise immunity, an enhancement accomplished with on-chip regulators and bypass capacitors.

The TFP410 is versatile and highly programmable to provide maximum flexibility for the user. An I<sup>2</sup>C host interface is provided to allow enhanced configurations in addition to power-on default settings programmed by pin-strapping resistors.

The TFP410 offers monitor detection through receiver detection, or hot-plug detection when I<sup>2</sup>C is enabled. The monitor detection feature allows the user enhanced flexibility when attaching to digital displays or receivers (see *terminal functions, hot-plug/unplug, and register descriptions* sections).

The TFP410 has a data de-skew feature allowing the users to *de-skew* the input data with respect to the IDCK± (see the *data de-skew feature* section).

### T.M.D.S. pixel data and control signal encoding

For transition minimized differential signaling (T.M.D.S.), only one of two possible T.M.D.S. characters for a given pixel is transmitted at a given time. The transmitter keeps a running count of the number of ones and zeros previously sent and transmits the character that minimizes the number of transitions and approximates a dc balance of the transmission line. Three T.M.D.S. channels are used to transmit RGB pixel data during the active video interval (DE = High). These same three channels are also used to transmit HSYNC, VSYNC, and three user definable control signals, CTL[3:1], during the inactive display or blanking interval (DE = Low). The following table maps the transmitted output data to the appropriate T.M.D.S. output channel in a DVI-compliant system.

INPUT PINS (VALID FOR DE = High)	T.M.D.S. OUTPUT CHANNEL	TRANSMITTED PIXEL DATA ACTIVE DISPLAY (DE = High)
DATA[23:16]	Channel 2 (TX2 ±)	Red[7:0]
DATA[15:8]	Channel 1 (TX1 ±)	Green[7:0]
DATA[7:0]	Channel 0 (TX0 ±)	Blue[7:0]
INPUT PINS (VALID FOR DE = Low)	T.M.D.S. OUTPUT CHANNEL	TRANSMITTED CONTROL DATA BLANKING INTERVAL (DE = Low)
CTL3, CTL2 (see Note 8)	Channel 2 (TX2 ±)	CTL[3:2]
CTL1 (See Note 8)	Channel 1 (TX1 ±)	CTL[1]
HSYNC, VSYNC	Channel 0 (TX0 ±)	HSYNC, VSYNC

NOTE 8: The TFP410 encodes and transfers the CTL[3:1] inputs during the vertical blanking interval. The CTL3 input is reserved for HDCP compliant DVI TXs and the CTL[2:1] inputs are reserved for future use. When DE = high, CTL and SYNC pins must be held constant.

### universal graphics controller interface voltage signal levels

The universal graphics controller interface can operate in the following two distinct voltage modes:

- The high-swing mode where standard 3.3-V CMOS signaling levels are used.
- The low-swing mode where adjustable 1.1-V to 1.8-V signaling levels are used.

To select the high-swing mode, the  $V_{REF}$  input pin must be tied to the 3.3-V power supply.

To select the low-swing mode, the  $V_{REF}$  must be 0.55 to 0.95 V.

In the low-swing mode,  $V_{REF}$  is used to set the midpoint of the adjustable signaling levels. The allowable range of values for  $V_{REF}$  is from 0.55 V to 0.9 V. The typical approach is to provide this from off chip by using a simple voltage-divider circuit. The minimum allowable input signal swing in the low-swing mode is  $V_{REF} \pm 0.2$  V. In low-swing mode, the  $V_{REF}$  input is common to all differential input receivers.

### universal graphics controller interface clock inputs

The universal graphics controller interface of the TFP410 supports both fully differential and single-ended clock input modes. In the differential clock input mode, the universal graphics controller interface uses the crossover point between the IDCK+ and IDCK– signals as the timing reference for latching incoming data (DATA[23:0], DE, HSYNC, and VSYNC). Differential clock inputs provide greater common-mode noise rejection. The differential clock input mode is only available in the low-swing mode. In the single-ended clock input mode, the IDCK+ input (Pin 57) should be connected to the single-ended clock source and the IDCK– input (Pin 56) should be tied to GND.

The universal graphics controller interface of the TFP410 provides selectable 12-bit dual-edge, and 24-bit single-edge, input clocking modes. In the 12-bit dual-edge, the 12-bit data is latched on each edge of the input clock. In the 24-bit single-edge mode, the 24-bit data is latched on the rising edge of the input clock when EDGE = 1 and the falling edge of the input clock when EDGE = 0.

DKEN and DK[3:1] allow the user to compensate the skew between IDCK± and the pixel data and control signals. See the description of the CTL\_3\_MODE register for details.

## universal graphics controller interface modes

Table 1 is a tabular representation of the different modes for the universal graphics controller interface. The 12-bit mode is selected when BSEL=0 and the 24-bit mode when BSEL=1. The 12-bit mode uses dual-edge clocking and the 24-bit mode uses single-edge clocking. The EDGE input is used to control the latching edge in 24-bit mode, or the primary latching edge in 12-bit mode. When EDGE=1, the data input is latched on the rising edge of the input clock; and when EDGE=0, the data input is latched on the falling edge of the input clock. A fully differential input clock is available only in the low-swing mode. Single-ended clocking is not recommended in the low-swing mode as this decreases common-mode noise rejection.

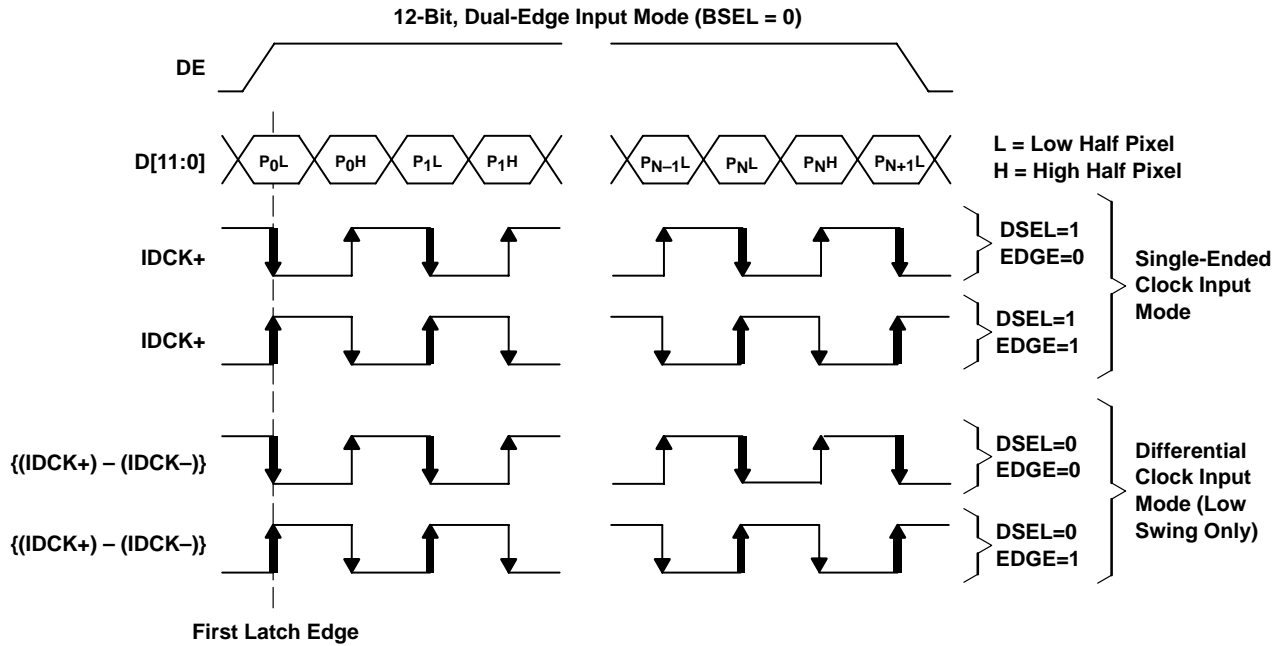
Note that BSEL, DSEL, and EDGE are determined by register CTL\_1\_MODE when I<sup>2</sup>C is enabled (ISEL=1) and by input pins when I<sup>2</sup>C is disabled (ISEL=0).

**Table 1. Universal Graphics Controller Interface Options (Tabular Representation)**

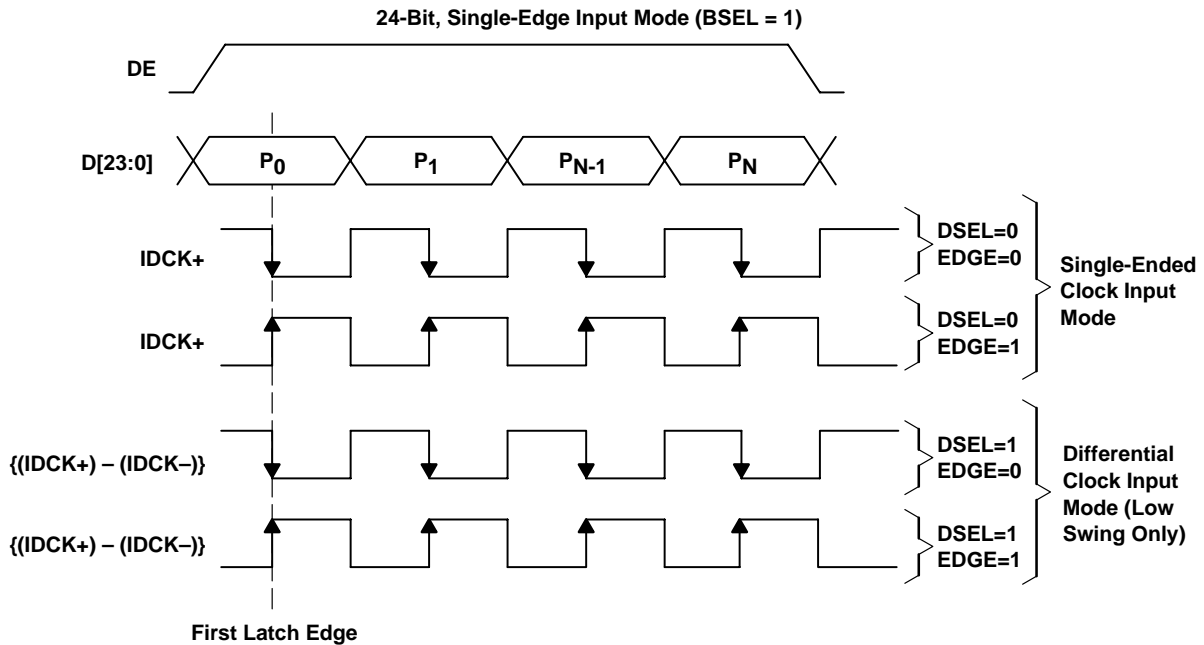
V <sub>REF</sub>	BSEL	EDGE	DSEL	BUS WIDTH	LATCH MODE	CLOCK EDGE	CLOCK MODE
0.55 V – 0.9 V	0	0	0	12-bit	Dual-edge	Falling	Differential (see Note 9 and 10)
0.55 V – 0.9 V	0	0	1	12-bit	Dual-edge	Falling	Single-ended
0.55 V – 0.9 V	0	1	0	12-bit	Dual-edge	Rising	Differential (see Note 9 and 10)
0.55 V – 0.9 V	0	1	1	12-bit	Dual-edge	Rising	Single-ended
0.55 V – 0.9 V	1	0	0	24-bit	Single-edge	Falling	Single-ended
0.55 V – 0.9 V	1	0	1	24-bit	Single-edge	Falling	Differential (see Note 9 and 11)
0.55 V – 0.9 V	1	1	0	24-bit	Single-edge	Rising	Single-ended
0.55 V – 0.9 V	1	1	1	24-bit	Single-edge	Rising	Differential (see Note 9 and 11)
D <sub>VDD</sub>	0	0	X	12-bit	Dual-edge	Falling	Single-ended (see Note 12)
D <sub>VDD</sub>	0	1	X	12-bit	Dual-edge	Rising	Single-ended (see Note 12)
D <sub>VDD</sub>	1	0	X	24-bit	Single-edge	Falling	Single-ended (see Note 12)
D <sub>VDD</sub>	1	1	X	24-bit	Single-edge	Rising	Single-ended (see Note 12)

- NOTES: 9. The differential clock input mode is only available in the low signal swing mode (i.e., V<sub>REF</sub> ≤ 0.9 V).  
 10. The TFP410 does not support a 12-bit dual-clock, single-edge input clocking mode.  
 11. The TFP410 does not support a 24-bit single-clock, dual-edge input clocking mode.  
 12. In the high-swing mode (V<sub>REF</sub> = D<sub>VDD</sub>), DSEL is a don't care; therefore, the device is always in the single-ended latch mode.

**universal graphics controller interface modes (continued)**



**Figure 6. Universal Graphics Controller Interface Options for 12-Bit Mode (Graphical Representation)**



**Figure 7. Universal Graphics Controller Interface Options for 24-Bit Mode (Graphical Representation)**

**12-bit mode data mapping**

PIN NAME	P0		P1		P2	
	P0L	P0H	P1L	P1H	P2L	P2H
	LOW	HIGH	LOW	HIGH	LOW	HIGH
D11	G0[3]	R0[7]	G1[3]	R1[7]	G2[3]	R2[7]
D10	G0[2]	R0[6]	G1[2]	R1[6]	G2[2]	R2[6]
D9	G0[1]	R0[5]	G1[1]	R1[5]	G2[1]	R2[5]
D8	G0[0]	R0[4]	G1[0]	R1[4]	G2[0]	R2[4]
D7	B0[7]	R0[3]	B1[7]	R1[3]	B2[7]	R2[3]
D6	B0[6]	R0[2]	B1[6]	R1[2]	B2[6]	R2[2]
D5	B0[5]	R0[1]	B1[5]	R1[1]	B2[5]	R2[1]
D4	B0[4]	R0[0]	B1[4]	R1[0]	B2[4]	R2[0]
D3	B0[3]	G0[7]	B1[3]	G1[7]	B2[3]	G2[7]
D2	B0[2]	G0[6]	B1[2]	G1[6]	B2[2]	G2[6]
D1	B0[1]	G0[5]	B1[1]	G1[5]	B2[1]	G2[5]
D0	B0[0]	G0[4]	B1[0]	G1[4]	B2[0]	G2[4]

**24-bit mode data mapping**

PIN NAME	P0	P1	P2	PIN NAME	P0	P1	P2
D23	R0[7]	R1[7]	R2[7]	D11	G0[3]	G1[3]	G2[3]
D22	R0[6]	R1[6]	R2[6]	D10	G0[2]	G1[2]	G2[2]
D21	R0[5]	R1[5]	R2[5]	D9	G0[1]	G1[1]	G2[1]
D20	R0[4]	R1[4]	R2[4]	D8	G0[0]	G1[0]	G2[0]
D19	R0[3]	R1[3]	R2[3]	D7	B0[7]	B1[7]	B2[7]
D18	R0[2]	R1[2]	R2[2]	D6	B0[6]	B1[6]	B2[6]
D17	R0[1]	R1[1]	R2[1]	D5	B0[5]	B1[5]	B2[5]
D16	R0[0]	R1[0]	R2[0]	D4	B0[4]	B1[4]	B2[4]
D15	G0[7]	G1[7]	G2[7]	D3	B0[3]	B1[3]	B2[3]
D14	G0[6]	G1[6]	G2[6]	D2	B0[2]	B1[2]	B2[2]
D13	G0[5]	G1[5]	G2[5]	D1	B0[1]	B1[1]	B2[1]
D12	G0[4]	G1[4]	G2[4]	D0	B0[0]	B1[0]	B2[0]

**data de-skew feature**

The de-skew feature allows adjustment of the input setup/hold time. Specifically, the input data DATA[23:0] can be latched slightly before or after the latching edge of the clock IDCK± depending on the amount of de-skew desired. When de-skew enable (DKEN) is enabled, the amount of de-skew is programmable by setting the three bits DK[3:1]. When disabled, a default de-skew setting is used. To allow maximum flexibility and ease of use, DKEN and DK[3:1] are accessed directly through configuration pins when I<sup>2</sup>C is disabled, or through registers of the same name when I<sup>2</sup>C is enabled. When using I<sup>2</sup>C mode, the DKEN pin should be tied to ground to avoid a floating input.

The input setup/hold time can be varied with respect to the input clock by an amount t<sub>(CD)</sub> given by the formula:

$$t_{(CD)} = (DK[3:1] - 4) \times t_{(STEP)}$$

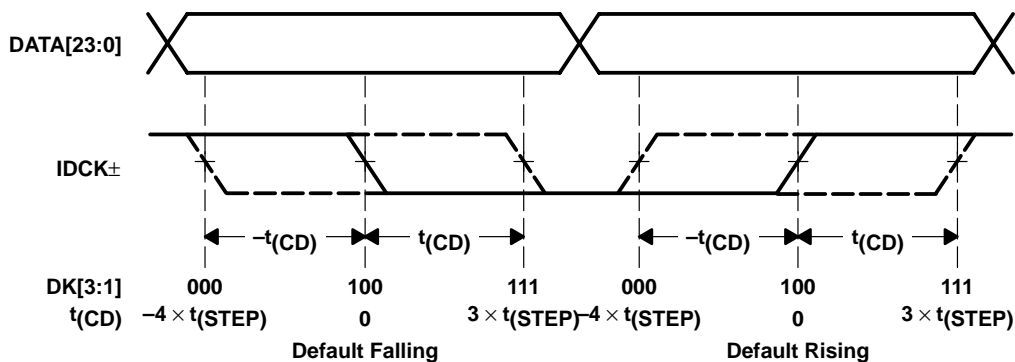
Where:

t<sub>(STEP)</sub> is the adjustment increment amount

DK[3:1] is a number from 0 to 7 represented as a 3-bit binary number

t<sub>(CD)</sub> is the cumulative de-skew amount

(DK[3:1]-4) is simply a multiplier in the range {-4,-3,-2,-1, 0, 1, 2, 3} for t<sub>(STEP)</sub>. Therefore, data can be latched in increments from 4 times the value of t<sub>(STEP)</sub> before the latching edge of the clock to 3 times the value of t<sub>(STEP)</sub> after the latching edge. Note that the input clock is not changed, only the time when data is latched with respect to the clock.



**Figure 8. A Graphical Representation of the De-Skew Function**

**hot plug/unplug (auto connect/disconnect detection)**

TFP410 supports hot plug/unplug (auto connect/disconnect detection) for the DVI link. The receiver sense input (RSEN) bit indicates if a DVI receiver is connected to TXC+ and TXC-. The HTPLG bit reflects the current state of the HTPLG pin connected to the monitor via the DVI connector. When I<sup>2</sup>C is disabled (ISEL=0), the RSEN value is available on the MSEN pin. When I<sup>2</sup>C is enabled, the connection status of the DVI link and HTPLG sense pins are provided by the CTL\_2\_MODE register. The MSEL bits of the CTL\_2\_MODE register can be used to program the MSEN to output the HTPLG value, the RSEN value, an interrupt, or be disabled.

The source of the interrupt event is selected by TSEL in the CTL\_2\_MODE register. An interrupt is generated by a change in status of the selected signal. The interrupt status is indicated in the MDI bit of CTL\_2\_MODE and can be output via the MSEN pin. The interrupt continues to be asserted until a 1 is written to the MDI bit, resetting the bit back to 0. Writing 0 to the MDI bit has no effect.

## device configuration and I<sup>2</sup>C RESET description

The TFP410 device configuration can be programmed by several different methods to allow maximum flexibility for the user's application. Device configuration is controlled depending on the state of the ISEL/ $\overline{\text{RST}}$  pin, configuration pins (BSEL, DSEL, EDGE,  $V_{\text{REF}}$ ) and state pins ( $\overline{\text{PD}}$ , DKEN). I<sup>2</sup>C bus select and I<sup>2</sup>C RESET (active low) are shared functions on the ISEL/ $\overline{\text{RST}}$  pin, which operates asynchronously.

Holding ISEL/ $\overline{\text{RST}}$  low causes the device configuration to be set by the configuration pins (BSEL, DSEL, EDGE, and  $V_{\text{REF}}$ ) and state pins ( $\overline{\text{PD}}$ , DKEN). The I<sup>2</sup>C bus is disabled.

Holding ISEL/ $\overline{\text{RST}}$  high causes the chip configuration to be set based on the configuration bits (BSEL, DSEL, EDGE) and state bits ( $\overline{\text{PD}}$ , DKEN) in the I<sup>2</sup>C registers. The I<sup>2</sup>C bus is enabled.

Momentarily bringing ISEL/ $\overline{\text{RST}}$  low and then back high while the device is operating in normal or power-down mode will RESET the I<sup>2</sup>C registers to their default values. The device configuration will be changed to the default power-up state with I<sup>2</sup>C enabled. After power up, the device must be reset. It is suggested that this pin be tied to the system reset signal, which is low during power up and is then asserted high after all the power supplies are fully functional.

## DE generator

The TFP410 contains a DE generator that can be used to generate an internal DE signal when the original data source does not provide one. There are several I<sup>2</sup>C programmable values that control the DE generator (see Figure 9). DE\_GEN in the DE\_CTL register enables this function. When enabled, the DE pin is ignored.

DE\_TOP and DE\_LIN are line counts used to control the number of lines after VSYNC goes active that DE is enabled, and the total number of lines that DE remains active, respectively. The polarity of VSYNC must be set by VS\_POL in the DE\_CTL register.

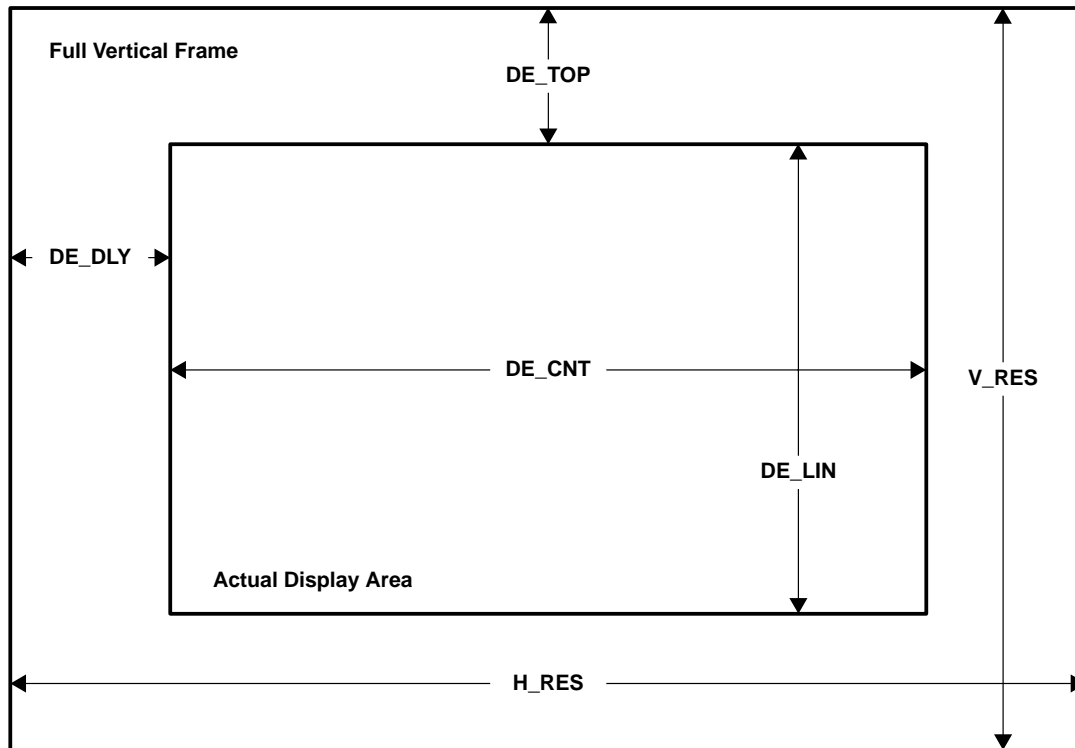
DE\_DLY and DE\_CNT are pixel counts used to control the number of pixels after HSYNC goes active that DE is enabled, and the total number of pixels that DE remains active, respectively. The polarity of HSYNC must be set by HS\_POL in the DE\_CTL register.

The TFP410 also counts the total number of HSYNC pulses between VSYNC pulses, and the total number of pixels between HSYNC pulses. These values, the total vertical and horizontal resolutions, are available in V\_RES and H\_RES, respectively. These values are available at all times, whether or not the DE generator is enabled.

**TFP410**  
**TI PanelBus™ DIGITAL TRANSMITTER**

SLDS145A – OCTOBER 2001 – REVISED JANUARY 2002

**DE generator (continued)**



**Figure 9. DE Generator Register Functions**

**register map**

The TFP410 is a standard I<sup>2</sup>C slave device. All the registers can be written and read through the I<sup>2</sup>C interface (unless otherwise specified). The TFP410 slave machine supports only byte read and write cycles. Page mode is not supported. The 8-bit binary address of the I<sup>2</sup>C machine is 0111 A<sub>3</sub>A<sub>2</sub>A<sub>1</sub>X, where A[3:1] are pin programmable or set to 000 by default. The I<sup>2</sup>C base address of the TFP410 is dependent on A[3:1] (pins 6, 7 and 8 respectively) as shown below.

A[3:1]	WRITE ADDRESS (Hex)	READ ADDRESS (Hex)
000	70	71
001	72	73
010	74	75
011	76	77
100	78	79
101	7A	7B
110	7C	7D
111	7E	7F



**register map (continued)**

REGISTER	RW	SUB-ADDRESS	BIT7	BIT6	BIT5	BIT4	BIT3	BIT2	BIT1	BIT0
VEN_ID	R	00	VEN_ID[7:0]							
	R	01	VEN_ID[15:8]							
DEV_ID	R	02	DEV_ID[7:0]							
	R	03	DEV_ID[15:8]							
REV_ID	R	04	REV_ID[7:0]							
RESERVED	R	05-07	Reserved							
CTL_1_MODE	RW	08	RSVD	TDIS	VEN	HEN	DSEL	BSEL	EDGE	PD
CTL_2_MODE	RW	09	VLOW	MSEL			TSEL	RSEN	HTPLG	MDI
CTL_3_MODE	RW	0A	DK		DKEN		CTL			RSVD
CFG	RW	0B	CFG							
RESERVED	RW	0C-31	Reserved							
DE_DLY	RW	32	DE_DLY[7:0]							
DE_CTL	RW	33	RSVD	DE_GEN	VS_POL	HS_POL	RSVD			DE_DLY[8]
DE_TOP	RW	34	RSVD	DE_DLY[6:0]						
RESERVED	RW	35	Reserved							
DE_CNT	RW	36	DE_CNT[7:0]							
	RW	37	Reserved					DE_CNT[10:8]		
DE_LIN	RW	38	DE_LIN[7:0]							
	RW	39	Reserved					DE_LIN[10:8]		
H_RES	R	3A	H_RES[7:0]							
	R	3B	Reserved					H_RES[10:8]		
V_RES	R	3C	V_RES[7:0]							
	R	3D	Reserved					V_RES[10:8]		
RESERVED	R	3E–FF								

**register descriptions**

**VEN\_ID**                      **Sub-Address = 01–00**                      **Read Only**                      **Default = 0x014C**

7	6	5	4	3	2	1	0
VEN_ID[7:0]							
VEN_ID[15:8]							

These read-only registers contain the 16-bit Texas Instruments vendor ID. VEN\_ID is hardwired to 0x014C.

**DEV\_ID**                      **Sub-Address = 03–02**                      **Read Only**                      **Default = 0x0410**

7	6	5	4	3	2	1	0
DEV_ID[7:0]							
DEV_ID[15:8]							

These read-only registers contain the 16-bit device ID for the TFP410. DEV\_ID is hardwired to 0x0410.

**REV\_ID**                      **Sub-Address = 04**                      **Read Only**                      **Default = 0x00**

7	6	5	4	3	2	1	0
REV_ID[7:0]							

This read-only register contains the revision ID.



# TFP410

## TI PanelBus™ DIGITAL TRANSMITTER

SLDS145A – OCTOBER 2001 – REVISED JANUARY 2002

### register descriptions (continued)

RESERVED		Sub-Address = 07–05				Read Only		Default = 0x641400	
7	6	5	4	3	2	1	0		
RESERVED[7:0]									
RESERVED[7:0]									
RESERVED[15:8]									

CTL_1_MODE		Sub-Address = 08				Read/Write		Default = 0xFE	
7	6	5	4	3	2	1	0		
RSVD	TDIS	VEN	HEN	DSEL	BSEL	EDGE	$\overline{\text{PD}}$		

$\overline{\text{PD}}$ : This read/write register contains the power-down mode.

- 0: Power down (default after RESET)
- 1: Normal operation

EDGE: This read/write register contains the edge select mode.

- 0: Input data latches to the falling edge of IDCK+
- 1: Input data latches to the rising edge of IDCK+

BSEL: This read/write register contains the input bus select mode.

- 0: 12-bit operation with dual-edge clock
- 1: 24-bit operation with single-edge clock

DSEL: This read/write register is used in combination with BSEL and  $V_{\text{REF}}$  to select the single-ended or differential input clock mode. In the high-swing mode, DSEL is a don't care since IDCK is always single-ended.

HEN: This read/write register contains the horizontal sync enable mode.

- 0: HSYNC input is transmitted as a fixed low
- 1: HSYNC input is transmitted in its original state

VEN: This read/write register contains the vertical sync enable mode.

- 0: VSYNC input is transmitted as a fixed low
- 1: VSYNC input is transmitted in its original state

TDIS: This read/write register contains the T.M.D.S. disable mode.

- 0: T.M.D.S. circuitry enable state is determined by  $\overline{\text{PD}}$ .
- 1: T.M.D.S. circuitry is disabled.



**register descriptions (continued)**

CTL_2_MODE		Sub-Address = 09		Read/Write		Default = 0x00	
7	6	5	4	3	2	1	0
VLOW	MSEL[3:1]			TSEL	RSEN	HTPLG	MDI

MDI: This read/write register contains the monitor detect interrupt mode.

- 0: Detected logic level change in detection signal (to clear, write one to this bit)
- 1: Logic level remains the same

HTPLG: This read only register contains the hot plug detection input logic state.

- 0: Logic level detected on the EDGE/HTPLG pin (pin 9)
- 1: High level detected on the EDGE/HTPLG pin (pin 9)

RSEN: This read only register contains the receiver sense input logic state, which is valid only for dc-coupled systems.

- 0: A powered-on receiver is not detected
- 1: A powered-on receiver is detected (i.e. connected to the DVI transmitter outputs)

TSEL: This read/write register contains the interrupt generation source select.

- 0: Interrupt bit (MDI) is generated by monitoring RSEN
- 1: Interrupt bit (MDI) is generated by monitoring HTPLG

MSEL: This read/write register contains the source select of the monitor sense output pin.

- 000: Disabled. MSEN output high
- 001: Outputs the MDI bit (interrupt)
- 010: Outputs the RSEN bit (receiver detect)
- 011: Outputs the HTPLG bit (hot plug detect)

VLOW: This read only register indicates the  $V_{REF}$  input level.

- 0: This bit is a logic level (0) if the  $V_{REF}$  analog input selects high-swing inputs
- 1: This bit is a logic level (1) if the  $V_{REF}$  analog input selects low-swing inputs

CTL_3_MODE		Sub-Address = 0A		Read/Write		Default = 0x80	
7	6	5	4	3	2	1	0
DK[3:1]			DKEN	CTL[3:1]			RSVD

CTL[3:1]: This read/write register contains the values of the three CTL[3:1] bits that are output on the DVI port during the blanking interval.

DKEN: This read/write register controls the data de-skew enable.

- 0: Data de-skew is disabled, the values in DK[3:1] are not used
- 1: Data de-skew is enabled, the de-skew setting is controlled through DK[3:1]

DK[3:1]: This read/write register contains the de-skew setting, each increment adjusts the skew by  $t_{(STEP)}$ .

- 000: Step 1 (minimum setup/maximum hold)
- 001: Step 2
- 010: Step 3
- 011: Step 4
- 100: Step 5 (default)
- 101: Step 6
- 110: Step 7
- 111: Step 8 (maximum setup/minimum hold)

# TFP410

## TI PanelBus™ DIGITAL TRANSMITTER

SLDS145A – OCTOBER 2001 – REVISED JANUARY 2002

### register descriptions (continued)

CFG		Sub-Address = 0B				Read Only	
7	6	5	4	3	2	1	0
CFG[7:0] (D[23:16])							

This read-only register contains the state of the inputs D[23:16]. These pins can be used to provide the user with selectable configuration data through the I<sup>2</sup>C bus.

RESERVED		Sub-Address = 0E–0C				Read/Write		Default = 0x97D0A9	
7	6	5	4	3	2	1	0		
RESERVED									
RESERVED									
RESERVED									

These read/write registers have no effect on TFP410 operation.

DE_DLY		Sub-Address = 32				Read/Write		Default = 0x00	
7	6	5	4	3	2	1	0		
DE_DLY[7:0]									

This read/write register defines the number of pixels after HSYNC goes active that DE is generated, when the DE generator is enabled.

DE_CTL		Sub-Address = 33				Read/Write		Default = 0x00	
7	6	5	4	3	2	1	0		
Reserved	DE_GEN	VS_POL	HS_POL	Reserved			DE_DLY[8]		

DE\_DLY[8]: This read/write register contains the top bit of DE\_DLY.

HS\_POL: This read/write register sets the HSYNC polarity.

- 0: HSYNC is considered active low.
  - 1: HSYNC is considered active high.
- Pixel counts are reset on the HSYNC active edge.

VS\_POL: This read/write register sets the VSYNC polarity.

- 0: VSYNC is considered active low.
  - 1: VSYNC is considered active high.
- Line counts are reset on the VSYNC active edge.

DE\_GEN: This read/write register enables the internal DE generator.

- 0: DE generator is disabled. Signal required on DE pin
- 1: DE generator is enabled. DE pin is ignored.

DE_TOP		Sub-Address = 34				Read/Write		Default = 0x00	
7	6	5	4	3	2	1	0		
DE_TOP[7:0]									

This read/write register defines the number of pixels after VSYNC goes active that DE is generated, when the DE generator is enabled.



**register descriptions (continued)**

DE_CNT		Sub-Address = 37–36				Read/Write		Default = 0x0000
7	6	5	4	3	2	1	0	
DE_CNT[7:0]								
Reserved						DE_CNT[10:8]		

These read/write registers define the width of the active display, in pixels, when the DE generator is enabled.

DE_LIN		Sub-Address = 39–38				Read/Write		Default = 0x0000
7	6	5	4	3	2	1	0	
DE_LIN[7:0]								
Reserved						DE_LIN[10:8]		

These read/write registers define the height of the active display, in lines, when the DE generator is enabled.

H_RES		Sub-Address = 3B–3A				Read Only	
7	6	5	4	3	2	1	0
H_RES[7:0]							
Reserved						H_RES[10:8]	

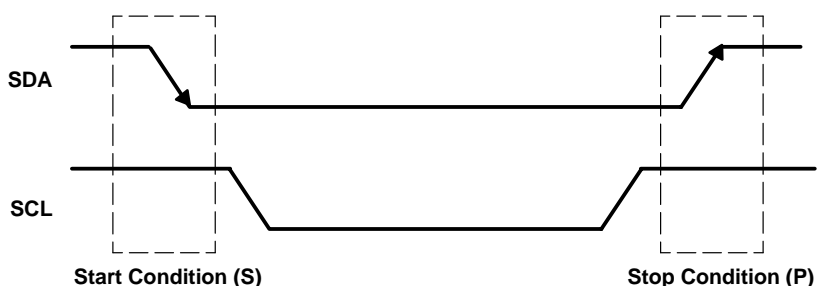
These read-only registers return the number of pixels between consecutive HSYNC pulses.

V_RES		Sub-Address = 3D–3C				Read Only	
7	6	5	4	3	2	1	0
V_RES[7:0]							
Reserved						V_RES[10:8]	

These read-only registers return the number of lines between consecutive VSYNC pulses.

**I<sup>2</sup>C interface**

The I<sup>2</sup>C interface is used to access the internal TFP410 registers. This two-pin interface consists of the SCL clock line and the SDA serial data line. The basic I<sup>2</sup>C access cycles are shown in Figure 10 and Figure 11.



**Figure 10. I<sup>2</sup>C Start and Stop Conditions**

The basic access write cycle consists of the following:

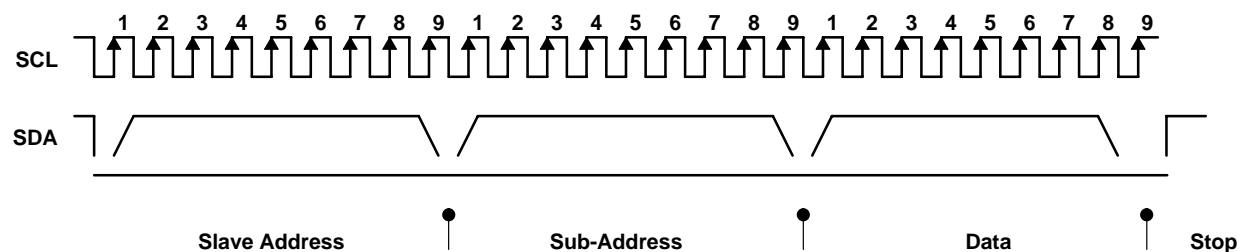
1. A start condition
2. A slave address cycle
3. A sub-address cycle
4. Any number of data cycles
5. A stop condition

**I<sup>2</sup>C interface (continued)**

The basic access read cycle consists of the following:

1. A start condition
2. A slave write address cycle
3. A sub-address cycle
4. A restart condition
5. A slave read address cycle
6. Any number of data cycles
7. A stop condition

The start and stop conditions are shown in Figure 10. The high to low transition of SDA while SCL is high defines the start condition. The low to high transition of SDA while SCL is high defines the stop condition. Each cycle, data or address, consists of 8 bits of serial data followed by one acknowledge bit generated by the receiving device. Thus, each data/address cycle contains 9 bits as shown in Figure 11.



**Figure 11. I<sup>2</sup>C Access Cycles**

Following a start condition, each I<sup>2</sup>C device decodes the slave address. The TFP410 responds with an acknowledge by pulling the SDA line low during the ninth clock cycle if it decodes the address as its address. During subsequent sub-address and data cycles, the TFP410 responds with acknowledge as shown in Figure 12. The sub-address is auto-incremented after each data cycle.

The transmitting device must not drive the SDA signal during the acknowledge cycle so that the receiving device may drive the SDA signal low. The master indicates a *not acknowledge* condition (/A) by keeping the SDA signal high just before it asserts the stop condition (P). This sequence terminates a read cycle as shown in Figure 13.

The slave address consists of 7 bits of address along with 1 bit of read/write information (read = 1, write = 0) as shown below in Figures 11 and 12. For the TFP410, the selectable slave addresses (including the R/W bit) using A[3:1] are 0x70, 0x72, 0x74, 0x76, 0x78, 0x7A, 0x7C, and 0x7E for write cycles and 0x71, 0x73, 0x75, 0x77, 0x79, 0x7B, 0x7D, and 0x7F for read cycles.

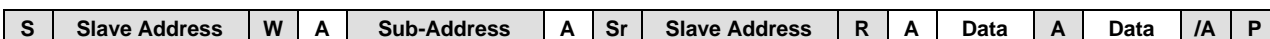
S	Slave Address	W	A	Sub-Address	A	Data	A	Data	A	P
---	---------------	---	---	-------------	---	------	---	------	---	---

Where:

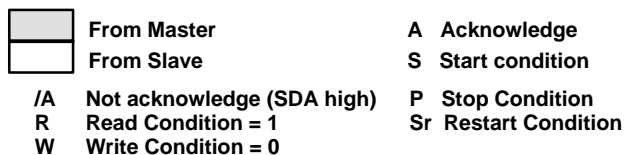
	From Master	A	Acknowledge
	From Slave	S	Start condition
		P	Stop Condition

**Figure 12. I<sup>2</sup>C Write Cycle**

## I<sup>2</sup>C interface (continued)



Where:



**Figure 13. I<sup>2</sup>C Read Cycle**

## TI PowerPAD 64-pin TQFP package

The TFP410 is available in TI's thermally enhanced 64-pin TQFP PowerPAD package. The PowerPAD package is a 10mm × 10mm × 1,0 mm TQFP outline with 0,5 mm lead-pitch. The PowerPAD package has a specially designed die mount pad that offers improved thermal capability over typical TQFP packages of the same outline. The TI 64-pin TQFP PowerPAD package offers a backside solder plane that connects directly to the die mount pad for enhanced thermal conduction. For thermal considerations, soldering the backside of the TFP410 to the application board is not required since the device power dissipation is well within the package capability when not soldered.

Soldering the backside of the device to the PCB ground plane is recommended for electrical considerations. Because the die pad is electrically connected to the chip substrate and hence chip ground, connecting the back side of the PowerPAD package to a PCG ground plane provides a low-inductance, low-impedance connection to help improve EMI, ground bounce, and power supply noise performance.

Table 2 contains the thermal properties of the TI 64-pin TQFP PowerPAD package. The 64-pin TQFP non-PowerPAD package is included only for reference.

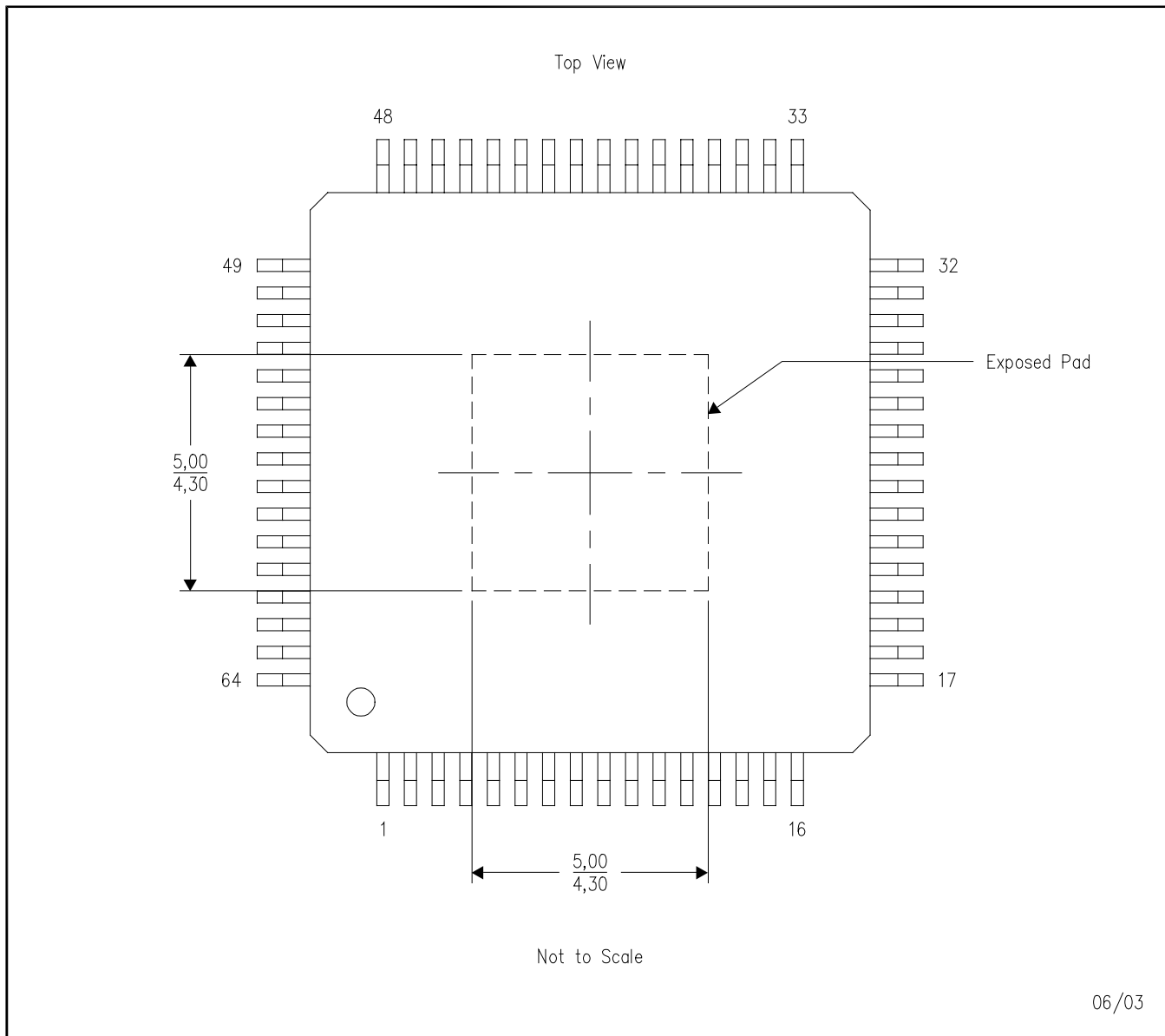
**Table 2. TI 64-Pin TQFP (10 × 10 × 1,0 mm)/0,5 mm Lead-Pitch**

	PARAMETER	WITHOUT PowerPAD™	PowerPAD™ NOT CONNECTED TO PCB THERMAL PLANE	PowerPAD™ CONNECTED TO PCB THERMAL PLANE (see Note 13)
R <sub>θJA</sub>	Thermal resistance, junction-to-ambient (see Notes 13 and 14)	75.83°C/W	42.20°C/W	21.47°C/W
R <sub>θJC</sub>	Thermal resistance, junction-to-case (see Notes 13 and 14)	7.80°C/W	0.38°C/W	0.38°C/W
P <sub>D</sub>	Power handling capabilities of package (see Notes 13, 14, and 15)	0.92 W	1.66 W	3.26 W

NOTES: 13. Specified with the PowerPAD bond pad on the backside of the package soldered to a 2-oz. Cu plate PCB thermal plane.  
 14. Airflow is at 0 LFM (no airflow)  
 15. Specified at 150°C junction temperature and 80°C ambient temperature.

PAP (S-PQFP-G64)

PowerPAD™ PLASTIC QUAD FLATPACK



- NOTES:
- A. All linear dimensions are in millimeters.
  - B. This drawing is subject to change without notice.
  - C. For additional information on the PowerPAD™ package and how to take advantage of its heat dissipating abilities, refer to Technical Brief, **PowerPAD Thermally Enhanced Package**, Texas Instruments Literature No. SLMA002 and Application Brief, **PowerPAD Made Easy**, Texas Instruments Literature No. SLMA004. Both documents are available at [www.ti.com](http://www.ti.com).

PowerPAD is a trademark of Texas Instruments



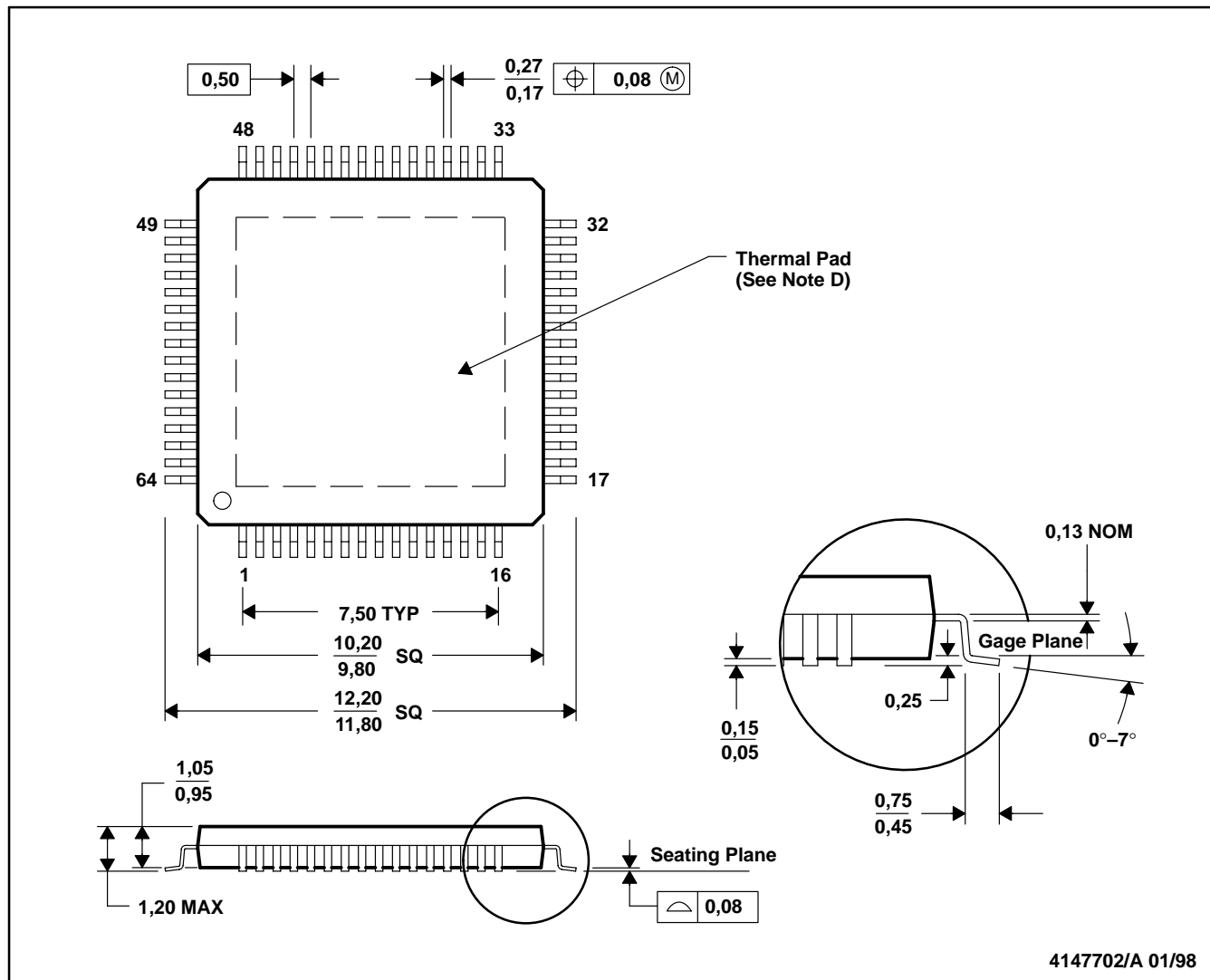
**TFP410**  
**TI PanelBus™ DIGITAL TRANSMITTER**

SLDS145A – OCTOBER 2001 – REVISED JANUARY 2002

**MECHANICAL DATA**

**PAP (S-PQFP-G64)**

**PowerPAD™ PLASTIC QUAD FLATPACK**



- NOTES: A. All linear dimensions are in millimeters.  
 B. This drawing is subject to change without notice.  
 C. Body dimensions do not include mold flash or protrusion.  
 D. The package thermal performance may be enhanced by bonding the thermal pad to an external thermal plane. This pad is electrically and thermally connected to the backside of the die and possibly selected leads.  
 E. Falls within JEDEC MS-026

PowerPAD is a trademark of Texas Instruments.



POST OFFICE BOX 655303 • DALLAS, TEXAS 75265

## IMPORTANT NOTICE

Texas Instruments Incorporated and its subsidiaries (TI) reserve the right to make corrections, modifications, enhancements, improvements, and other changes to its products and services at any time and to discontinue any product or service without notice. Customers should obtain the latest relevant information before placing orders and should verify that such information is current and complete. All products are sold subject to TI's terms and conditions of sale supplied at the time of order acknowledgment.

TI warrants performance of its hardware products to the specifications applicable at the time of sale in accordance with TI's standard warranty. Testing and other quality control techniques are used to the extent TI deems necessary to support this warranty. Except where mandated by government requirements, testing of all parameters of each product is not necessarily performed.

TI assumes no liability for applications assistance or customer product design. Customers are responsible for their products and applications using TI components. To minimize the risks associated with customer products and applications, customers should provide adequate design and operating safeguards.

TI does not warrant or represent that any license, either express or implied, is granted under any TI patent right, copyright, mask work right, or other TI intellectual property right relating to any combination, machine, or process in which TI products or services are used. Information published by TI regarding third-party products or services does not constitute a license from TI to use such products or services or a warranty or endorsement thereof. Use of such information may require a license from a third party under the patents or other intellectual property of the third party, or a license from TI under the patents or other intellectual property of TI.

Reproduction of information in TI data books or data sheets is permissible only if reproduction is without alteration and is accompanied by all associated warranties, conditions, limitations, and notices. Reproduction of this information with alteration is an unfair and deceptive business practice. TI is not responsible or liable for such altered documentation.

Resale of TI products or services with statements different from or beyond the parameters stated by TI for that product or service voids all express and any implied warranties for the associated TI product or service and is an unfair and deceptive business practice. TI is not responsible or liable for any such statements.

### Mailing Address:

Texas Instruments  
Post Office Box 655303  
Dallas, Texas 75265