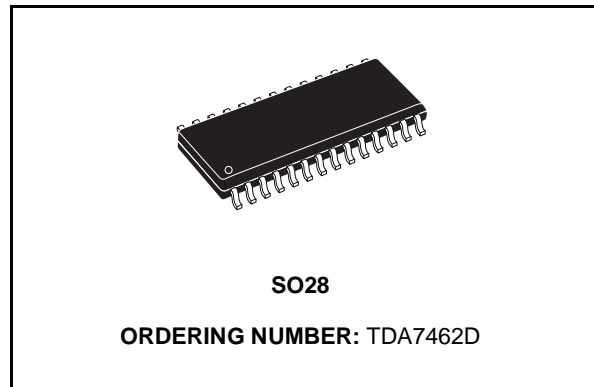




TDA7462

DUAL AUDIOPROCESSOR WITH COMPANDER AND SUBWOOFER OUTPUT

- FULLY INTEGRATED AUDIOPROCESSOR
- 5 STEREO + 1 MONO INPUTS
- FOUR INDEPENDENT SPEAKER OUTPUTS
- DYNAMIC COMPRESSION STAGE FOR CD
- SUBWOOFER OUTPUT
- SOFTSTEP FEATURE FOR VOLUME
- VOICE-BAND FILTER
- DIRECT MUTE AND SOFTMUTE
- PAUSE DETECTOR
- FULLY PROGRAMMABLE BY I²C BUS INTERFACE

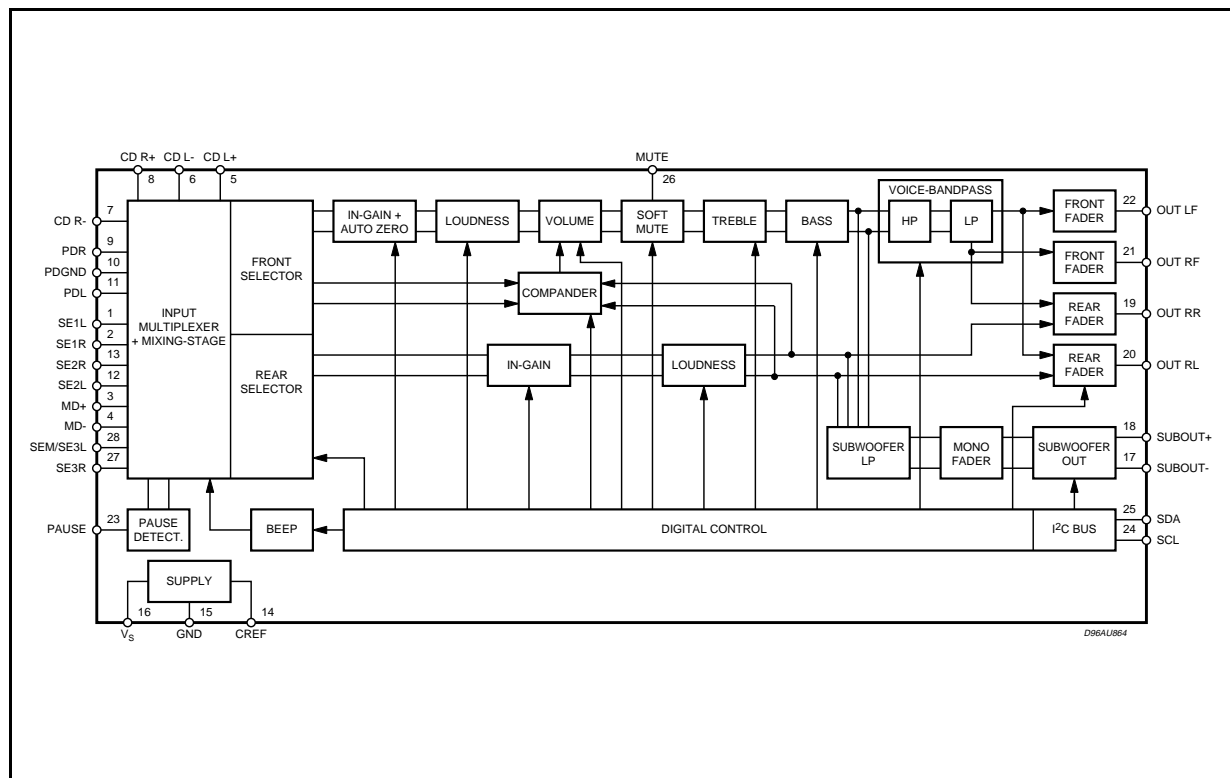


DESCRIPTION

The TDA7462 is a high performance audioprocessor with fully integrated audio filters. The digital control allows the programming of all filter characteristics in a wide range without the need of external components. New innovative features are included , a dynamic compression stage to

optimize audio response of CD sources an additional output channel for subwoofer and a separate source selector for rear channel. The use of a dedicated BICMOS process makes signal processing very linear thus achieving low distortion and low noise figures.

BLOCK DIAGRAM



ABSOLUTE MAXIMUM RATINGS

Symbol	Parameter	Value	Unit
V _s	Operating Supply Voltage	10.5	V
T _{amb}	Operating Ambient Temperature Range	-40 to 85	°C
T _{stg}	Operating Storage Temperature Range	-55 to 150	°C

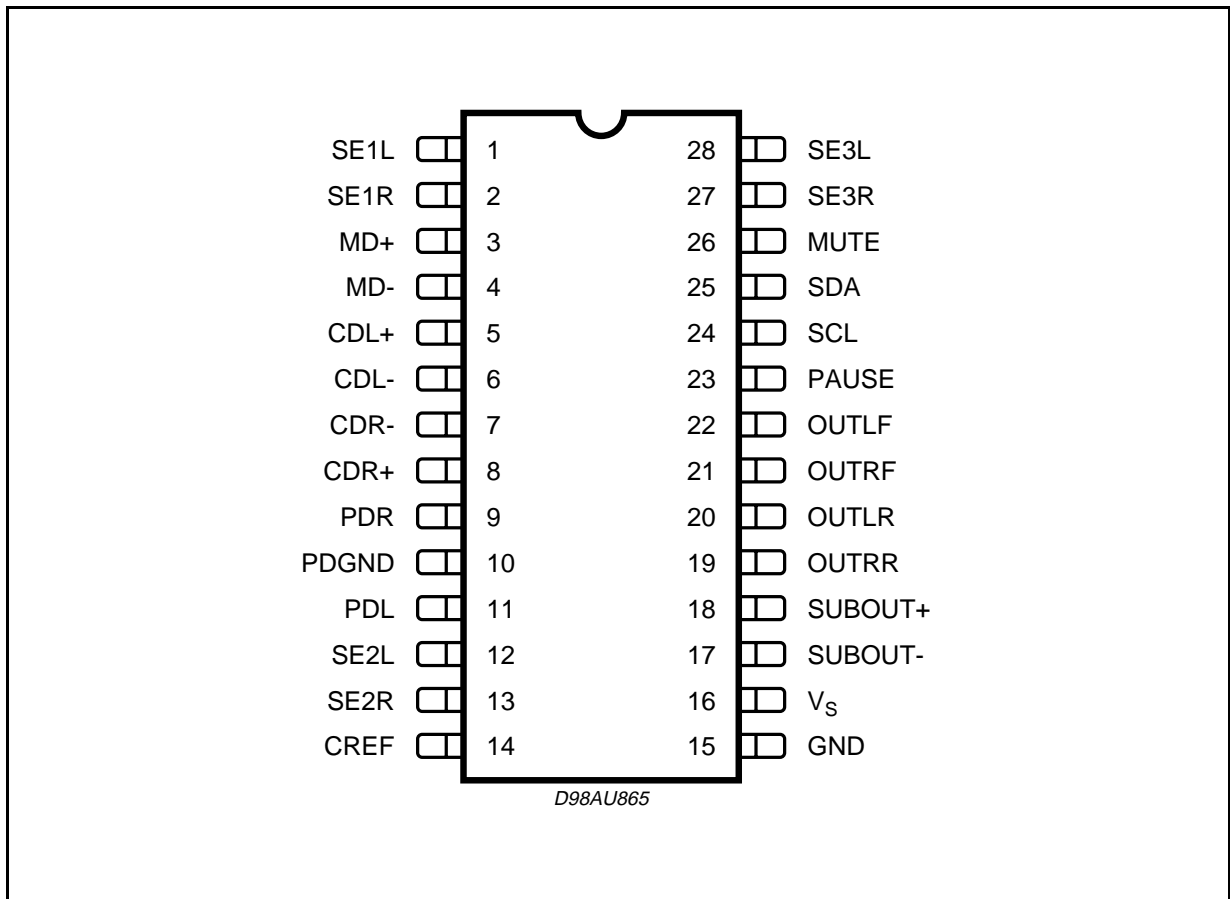
SUPPLY

Symbol	Parameter	Test Condition	Min.	Typ.	Max.	Unit
V _s	Supply Voltage		7.5	9	10.2	V
I _s	Supply Current	V _S = 9V	25	30	35	mA
SVRR	Ripple Rejection @ 1KHz	Audioprocessor (all filters flat)		60		dB

ESD

All pins are protected against ESD according to the MIL883 standard.

PIN CONNECTION



THERMAL DATA

Symbol	Parameter	Value	Unit
R _{th-j pins}	Thermal Resistance Junction-pins	Max	85 °C/W

PIN DESCRIPTION

N.	Name	Function	Type
1	SE1L	Single Ended Input 1 Left Channel	I
2	SE1R	Single Ended Input 1 Right Channel	I
3	MD+	Mono Differenzial Input +	I
4	MD-	Mono Differenzial Input -	I
5	CDL+	CD Input Left Channel +	I
6	CDL-	CD Input Left Channel -	I
7	CDR-	CD Input Right Channel -	I
8	CDR+	CD Input Right Channel +	I
9	PDR	Pseudo Differential Input Left	I
10	PDGND	Pseudo Differential Common Ground	I
11	PDL	Pseudo Differential Input Right	I
12	SE2L	Single Ended Input 2 Left Channel	I
13	SE2R	Single Ended Input 2 Right Channel	I
14	CREF	Stabilizer Capacitor Pin	S
15	GND	Supply Ground	S
16	VS	Supply Voltage	S
17	SUBOUT-	Subwoofer Output -	O
18	SUBOUT+	Subwoofer Output +	O
19	OUTRR	Speaker Output Right Rear	O
20	OUTLR	Speaker Output Left Rear	O
21	OUTRF	Speaker Output Right Front	O
22	OUTLF	Speaker Output Left Front	O
23	PAUSE	Pause Detector Output	O
24	SCL	I ² C bus clock	I
25	SDA	I ² C bus data	I/O
26	MUTE	Softmute drive	I
27	SE3R	Single Ended Input 3 Right Channel	I
28	SE3L	Single Ended Input 3 Left Channel	I

Pin type legenda:

I = Input

O = Output

I/O = Input/Output

S = Supply

ELECTRICAL CHARACTERISTICS ($V_S = 9V$; $T_{amb} = 25^\circ C$; $R_L = 10K\Omega$; all gains = 0dB; $f = 1KHz$; unless otherwise specified).

Symbol	Parameter	Test Condition	Min.	Typ.	Max.	Unit
INPUT SELECTOR						
R_{in}	Input Resistance	all inputs except Phone	70	100	130	$K\Omega$
V_{CL}	Clipping Level		2.2	2.6		V_{RMS}
S_{IN}	Input Separation		80	100		dB
$G_{IN\ MIN}$	Min. Input Gain		-1	0	1	dB
$G_{IN\ MAX}$	Max. Input Gain		13	15	17	dB
G_{STEP}	Step Resolution		0.5	1	1.5	dB
V_{DC}	DC Steps	Adjacent Gain Step	-5	1	5	mV
		G_{MIN} to G_{MAX}	-10	6	10	mV
V_{offset}	Remaining offset with AutoZero			0.5		mV
DIFFERENTIAL CD STEREO INPUT						
R_{in}	Input Resistance	Differential	70	100	130	$K\Omega$
G_{CD}	Gain	only at true differential input	-1	0	1	dB
			-5	-6	-7	dB
			-11	-12	-13	dB
CMRR	Common Mode Rejection Ratio	$V_{CM} = 1V_{RMS}$ @ 1KHz	40	70		dB
		$V_{CM} = 1V_{RMS}$ @ 10KHz	40	60		dB
e_N	Output Noise @ Speaker Output	20Hz to 20KHz flat; all stages 0dB		9		μV
DIFFERENTIAL MD INPUT						
R_{in}	Input Resistance	Differential	40	55	70	$K\Omega$
CMRR	Common Mode Rejection Ratio	$V_{CM} = 1V_{RMS}$ @ 1KHz	40	70		dB
		$V_{CM} = 1V_{RMS}$ @ 10KHz	40	60		dB
e_N	Output Noise @ Speaker Output	20Hz to 20KHz flat; all stages 0dB		9		μV
DIFFERENTIAL PHONE INPUT						
R_{in}	Input Resistance	Differential	70	100	130	$K\Omega$
CMRR	Common Mode Rejection Ratio	$V_{CM} = 1V_{RMS}$ @ 1KHz	35	70		dB
		$V_{CM} = 1V_{RMS}$ @ 10KHz	35	60		dB
BEEP CONTROL						
V_{RMS}	Beep Level		250	350	500	mV
f_{BMIN}	Lower Beep Frequency		740	780	820	Hz
f_{BMAX}	Higher Beep Frequency		1.48	1.56	1.64	KHz
MIXING CONTROL						
M_{LEVEL}	Mixing Level	Main/Mix-Source		0/ ∞		dB
				-3.5/-9.6		dB
				-6/-6		dB
				-12/-2.5		dB
VOLUME CONTROL						
G_{MAX}	Max Gain		30	32	34	dB
A_{MAX}	Max Attenuation		-83	-79.5	-75	dB
A_{STEP}	Step Resolution		0	0.5	1	dB
E_A	Attenuation Set Error	$G = -20$ to 20dB	-0.75	0	0.75	dB
		$G = -80$ to -20dB	-4	0	3	dB
E_T	Tracking Error				2	dB
V_{DC}	DC Steps	Adjacent Attenuation Steps		0.1	3	mV
		From 0dB to G_{MIN}		0.5	5	mV
LOUDNESS CONTROL						
A_{STEP}	Step Resolution		0.5	1	1.5	dB
A_{MAX}	Max. Attenuation		13	15	17	dB
f_{CMIN}	Lower Center Frequency		360	400	440	Hz
f_{CMAX}	Higher Center Frequency		720	800	880	Hz

ELECTRICAL CHARACTERISTICS (continued)

Symbol	Parameter	Test Condition	Min.	Typ.	Max.	Unit
SOFT MUTE						
AMUTE	Mute Attenuation		80	100		dB
TD	Delay Time	T1		0.48	1	ms
		T2		0.96	2	ms
		T3	20	30.7	50	ms
		T4	70	123	170	ms
VTHlow	Low Threshold for SM Pin ¹			1	V	
VTHhigh	High Threshold for SM Pin		2.5		V	
RPD	Internal Pull-up Resistor		70	100	130	K Ω
SOFT STEP						
Tsw	Switch Time	T _{SW1}		0.16		ms
		T _{SW2}		0.32		ms
		T _{SW3}		0.64		ms
		T _{SW4}		1.28		ms
		T _{SW5}		2.56		ms
		T _{SW6}		5.12		ms
		T _{SW7}		10.2		ms
		T _{SW8}		20.4		ms
BASS CONTROL						
CRANGE	Control Range		± 14	± 15	± 16	dB
ASTEP	Step Resolution		0.5	1	1.5	dB
fc	Center Frequency	fc ₁	54	60	66	Hz
		fc ₂	63	70	77	Hz
		fc ₃	72	80	88	Hz
		fc ₄	90	100	110	Hz
QBASS	Quality Factor	Q ₁	0.9	1	1.1	
		Q ₂	1.1	1.25	1.4	
		Q ₃	1.3	1.5	1.7	
		Q ₄	1.8	2	2.2	
DCGAIN	Bass-Dc-Gain	DC = off	-1	0	+1	dB
		DC = on	4	4.4	6	dB
TREBLE CONTROL						
CRANGE	Control Range		± 13	± 14	± 15	dB
ASTEP	Step Resolution		1	2	3	dB
fc	Center Frequency	fc ₁	8	10	12	KHz
		fc ₂	10	12.5	15	KHz
		fc ₃	12	15	18	KHz
		fc ₄	14	17.5	21	KHz
SPEAKER ATTENUATORS						
CRANGE	Control Range		-53	50	-47	dB
ASTEP	Step Resolution		0.5	1	2	dB
AMUTE	Output Mute Attenuation		80	90		dB
EE	Attenuation Set Error		-2		2	dB
VDC	DC Steps	Adjacent Attenuation Steps		0.1	5	mV

1) The SM pin is active low (Mute = 0)

ELECTRICAL CHARACTERISTICS (continued)

Symbol	Parameter	Test Condition	Min.	Typ.	Max.	Unit
FADER OUTPUTS						
V _{CLIP}	Clipping Level	d = 0.3%	2.2	2.6		V _{RMS}
R _L	Output Load Resistance		2			kΩ
C _L	Output Load Capacitance				10	nF
R _{OUT}	Output Impedance			30	100	Ω
V _{DC}	DC Voltage Level		4.3	4.5	4.7	V
PAUSE DETECTOR						
V _{TH}	Zero Crossing Threshold	Window 1		20		mV
		Window 2		40		mV
		Window 3		80		mV
		Window 4		160		mV
I _{DELAY}	Pull-Up Current		15	25	35	μA
V _{THP}	Pause Threshold			3.0		V
VOICE BANDPASS						
f _{HP}	Highpass corner frequency	f _{HP1}	81	90	99	Hz
		f _{HP2}	162	180	198	Hz
		f _{HP3}	117	130	143	Hz
		f _{HP4}	234	260	286	Hz
f _{LP}	Lowpass corner frequency	f _{LP1}	2.7	3	3.3	kHz
		f _{LP2}	5.4	6	6.6	kHz
SUBWOOFER ATTENUATORS						
C _{RANGE}	Control Range		-53	-50	-47	dB
A _{STEP}	Step Resolution ²		0.5	1	1.5	dB
A _{MUTE}	Output Mute Attenuation		80	90		dB
E _E	Attenuation Set Error				2	dB
V _{DC}	DC Steps	Adjacent Attenuation Steps		1	5	mV
DIFFERENTIAL OUTPUTS						
R _L	Load resistance at each output	1V _{RMS} ; AC coupled; THD = 1%	1			kΩ
		2V _{RMS} ; AC coupled; THD = 1%	2			kΩ
R _{DL}	Load resistance differential	1V _{RMS} ; AC coupled; THD = 1%	2			kΩ
		2V _{RMS} ; AC coupled; THD = 1%	4			kΩ
C _L	Capacitive load at each output	CLMIN at each Output to Ground			470	pF
C _{LMAX}	Capacitive load at each output	C _{LMAX} at each Output to Ground			10	nF
C _{DLMAX}	Capacitive load differential	CLMAX between Output terminals			5	nF
V _{Offset}	DC Offset at pins	Output muted	-10		10	
R _{OUT}	Output Impedance			30	100	Ω
V _{DC}	DC Voltage Level		4.3	4.5	4.7	V
e _{NO}	Output Noise	Output muted		6	15	μV
COMPANDER						
G _{MAX}	Max. Comander Gain	V _i < -40dB		19		dB
				23		dB
t _{ATT}	Attack time	t _{Att1}		6		ms
		t _{Att2}		12		ms
		t _{Att3}		24		ms
		t _{Att4}		49		ms
t _{REL}	Release time	t _{Rel1}		195		ms
		t _{Rel2}		390		ms
		t _{Rel3}		780		ms
		t _{Rel4}		1.56		s
V _{REF}	Comander Reference Input-Level (equals 0dB)	1kHz sine-wave		0.5		V _{RMS}
CF	Compression Factor	Output Signal/Input Signal		0.5		

2) Steps are increasing if the attenuation is higher than 24dB.

ELECTRICAL CHARACTERISTICS (continued)

Symbol	Parameter	Test Condition	Min.	Typ.	Max.	Unit
GENERAL						
e _{NO}	Output Noise	BW = 20 Hz to 20 KHz output muted		3	15	μV
		BW = 20 Hz to 20 KHz all gain = 0dB single ended inputs		10	20	μV
S/N	Signal to Noise Ratio	all gains = 0dB flat; V _O = 2V _{RMS}		106		dB
		bass treble at 12dB; a-weighted; V _O = 2.6V _{RMS}		100		dB
d	Distortion	V _{IN} = 1V _{RMS} ; all stages 0dB		0.005	0.1	%
		V _{IN} = 1V _{RMS} ; Bass & Treble = 12dB		0.05	0.1	%
Sc	Channel separation Left/Right		80	100		dB
E _T	Total Tracking Error	A _V = 0 to -20dB	-1	0	1	dB
		A _V = -20 to -60dB	-2	0	2	dB

MAIN FEATURES SUMMARY**Input Multiplexer**

- One fully differential CD stereo input with switchable attenuation
- One quasi-differential stereo input
- Three single-ended stereo inputs
- One differential mono input
- In-Gain 0..15dB, 1dB step
- Internal Offsetcancellation (AutoZero)
- Separate source selector for rear channel

Beep

- Internal beep with 2 frequencies

Mixing stage

- 4 step-mixing stage with phone or rear-selector as mix-signals

Loudness

- Second order frequency response
- Programmable center frequency and quality factor
- 15 x 1dB attenuation steps
- Selectable flat-mode (constant attenuation)

Volume

- 0.5dB attenuation step
- 80dB control range
- Soft-step control with programmable times

Compander

- Dynamic range compression for use with CD source

- 2:1 compression rate
- Max. gain 15dB

Bass

- 2nd order frequency response
- Center frequency programmable in 4 steps
- DC gain programmable
- 15 x 1dB steps

Treble

- 2nd order frequency response
- Center frequency programmable in 4 steps
- 7 x 2dB steps

Voice Bandpass

- 2nd order Butterworth highpass filter with programmable cut-off frequency
- 2nd order butterworth lowpass filter with programmable cut-off frequency

Speaker

- Four independent speaker controls in 1dB steps
- Control range 50dB
- Separate Mute drive

Subwoofer

- Differential mono output
- Control range 50dB
- 2nd order lowpass filter

Mute Functions

Direct mute

Mute Functions

- Direct mute
- Digitally controlled softmute with 4 programmable mute times

Pause Detector

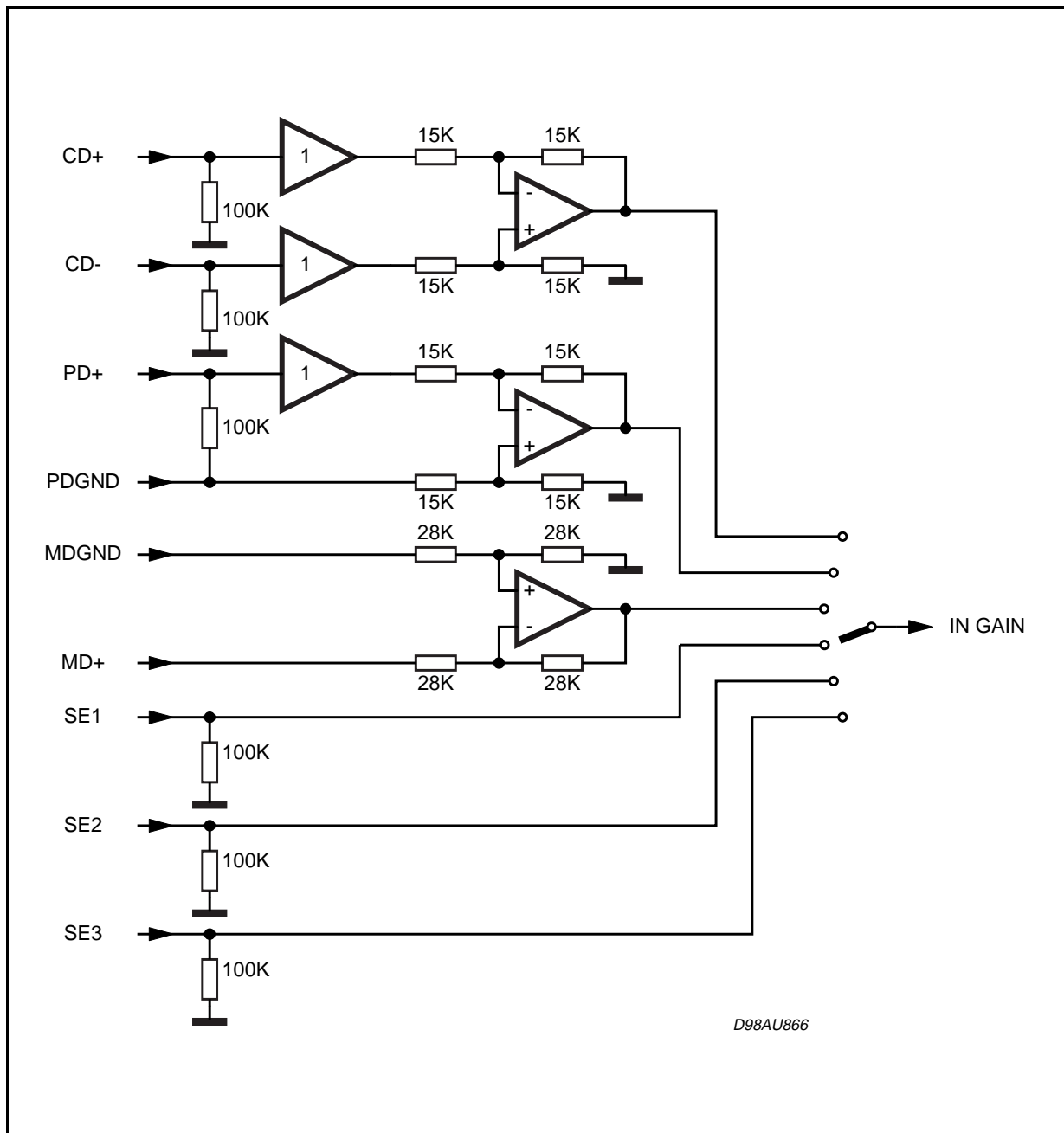
- Programmable threshold
- Delay time defined by external capacitor

FUNCTIONAL DESCRIPTION

Input Stages

Most of the input stages are similar to the others ST audioprocessors with exception of the CD inputs (see Figure 1). In fact there are some CD players in the market having a significant high source impedance which affects strongly on the common-mode rejection (CHRR) of the normal differential input stage. The additional buffer of the TDA7462 CD input avoids this drawback and

Figure 1. Input Stage



offers the full common-mode rejection even with those CD players.

AutoZero Stage

In order to reduce the number of pins there is no AC coupling between the In-Gain and the following stage, so that any offset generated by or before the stage would be transferred or even amplified to the output. To avoid that effect, a special offset cancellation stage called AutoZero is implemented. This stage is located before the mixing block to eliminate all offsets generated by the input and the In-Gain (notice that externally generated offsets, e.g. generated through the leakage current of the coupling capacitors, are not cancelled).

The auto-zeroing is started every time the data-byte 0 is selected and takes a time of max. 0.3ms. To avoid audible clicking the audioprocessor is muted before the loudness stage during this time.

AutoZero Remain

In some cases, for example if the μP is executing a refresh cycle of the I²C bus programming, it is not useful to start a new AutoZero action because no new source is selected and an undesired mute would appear at the outputs. For such applications the TDA7462 could be switched in the AutoZeroRemain mode. If this bit is set to high, the data-byte 0 could be loaded without invoking the AutoZero and the old adjustment value remains.

Full Mixing Stage

The four-level mixing stage offers the possibility to mix the rear selector signal or the phone signal to any other source. Due to the fact that the mixing stage is located after the In-Gain stage fine adjustments of the main source level could be done in this way.

Figure 2. Signal Flow of Mixing Stage.

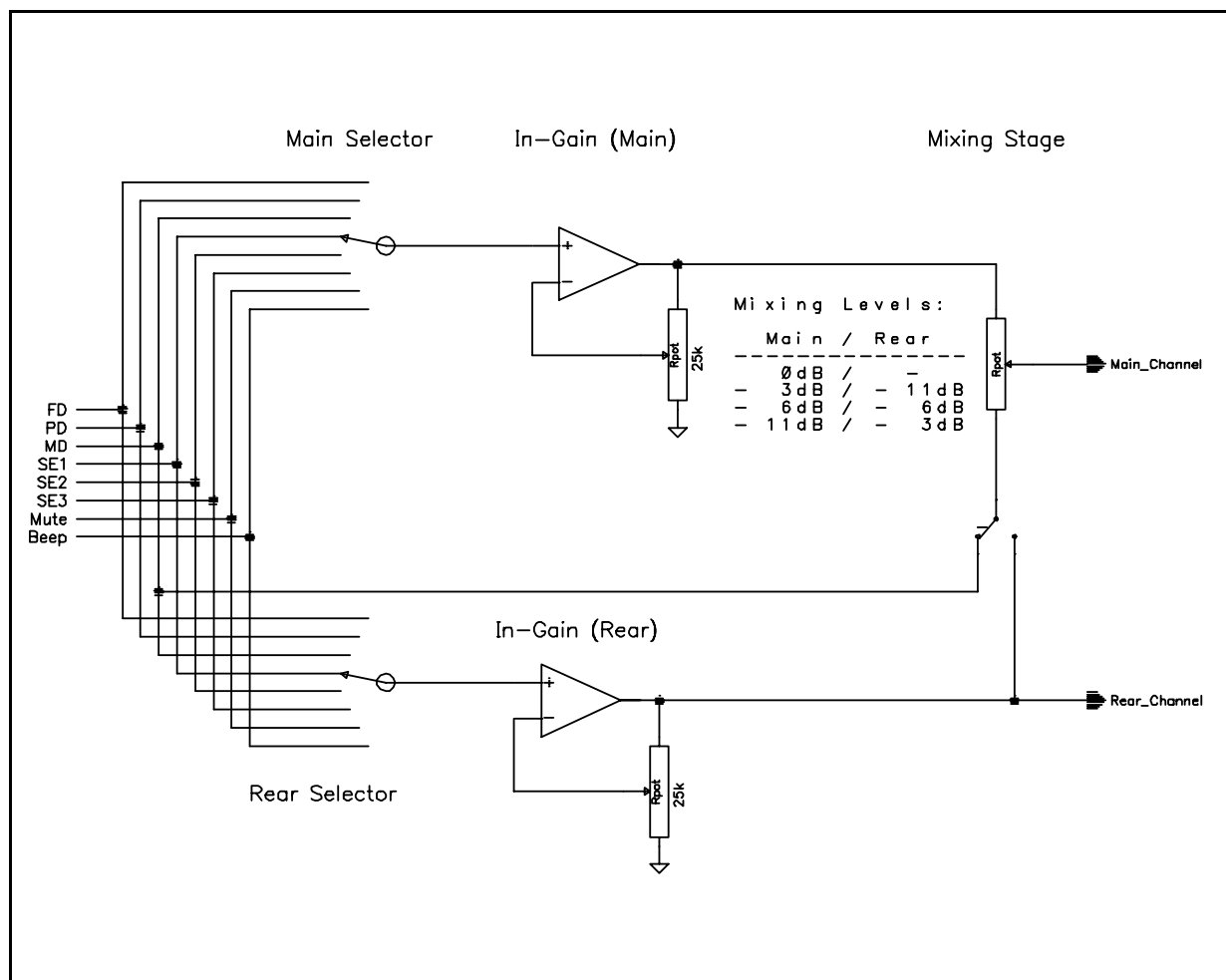


Figure 3. Loudness Attenuation @ $f_c = 400\text{Hz}$ (second order)

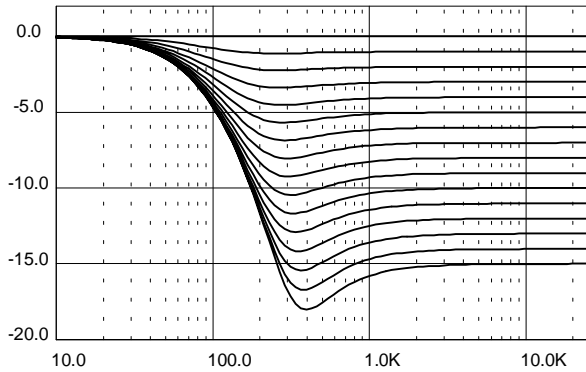


Figure 4. Loudness Center frequency @ Attn. = 15dB (second order)

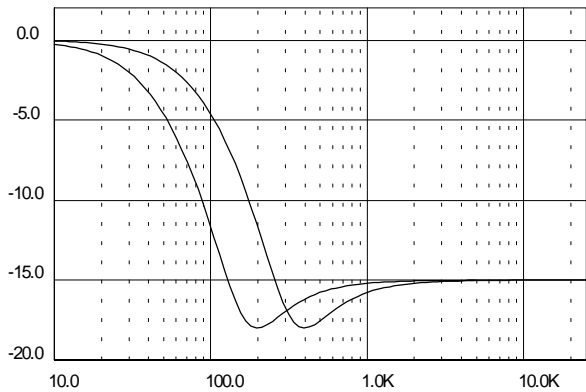
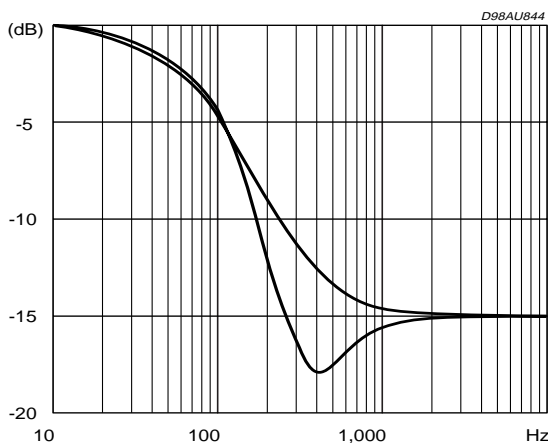


Figure 5. Loudness @ Attn. = 15dB, $f_c = 400\text{Hz}$



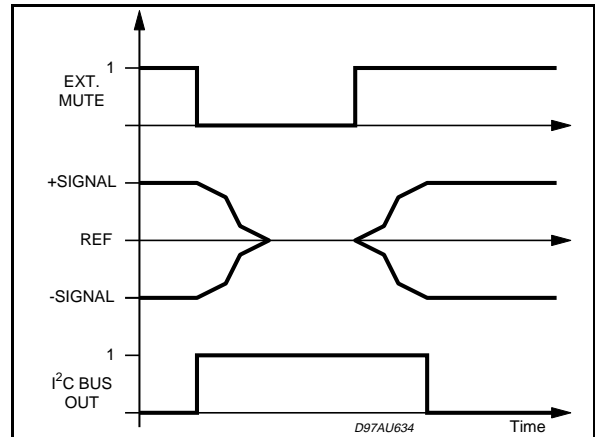
SoftMute

The digitally controlled SoftMute stage allows muting/de-muting the signal with a I²C bus pro-

grammable slope. The mute process can either be activated by the SoftMute pin(SM) or by the I²C bus. This slope is realized in a special S-shaped curve to mute slow in the critical regions (see Figure 6).

For timing purposes the Bit 3 of the I²C bus output register is set to 1 from the start of muting until the end of de-muting.

Figure 6. Softmute Timing

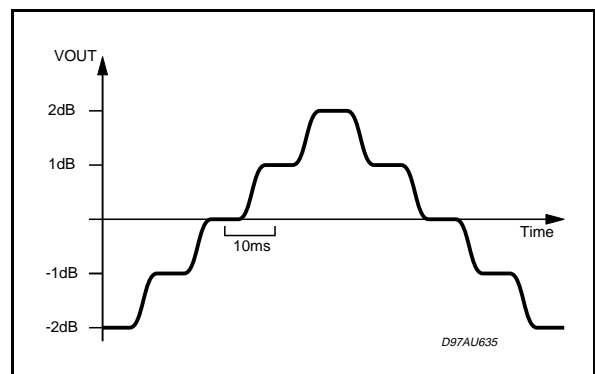


Note: Please notice that a started Mute action is always terminated and could not be interrupted by a change of the mute signal.

SoftStep Volume

When the volume level is changed audible clicks could appear at the output. The root cause of those clicks could either be a DC offset before the volume stage or the sudden change of the envelope of the audio signal. With the SoftStep feature both kinds of clicks could be reduced to a minimum and are no more audible. The blend time from one step to the next is programmable in four steps.

Figure 7. Soft Step Timing



Note: For steps more than 1dB the softstep mode should be deactivated because it could generate a 1dB error during the blend-time

FILTER CHARACTERISTICS (BASS, TREBLE, VOICE-BAND)

Figure 8. Bass Control @ $f_c = 80\text{Hz}$, $Q = 1$

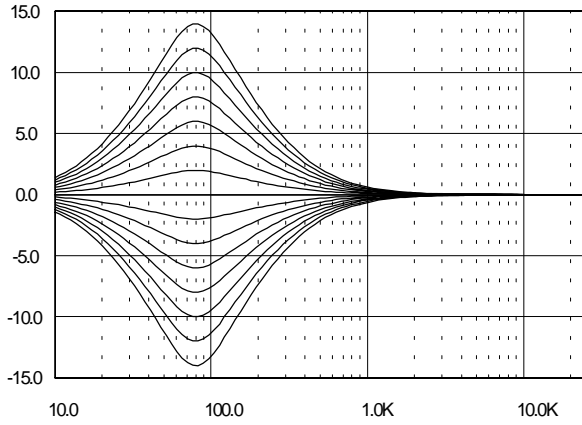


Figure 9. Bass Center @ Gain = 14dB, $Q = 1$

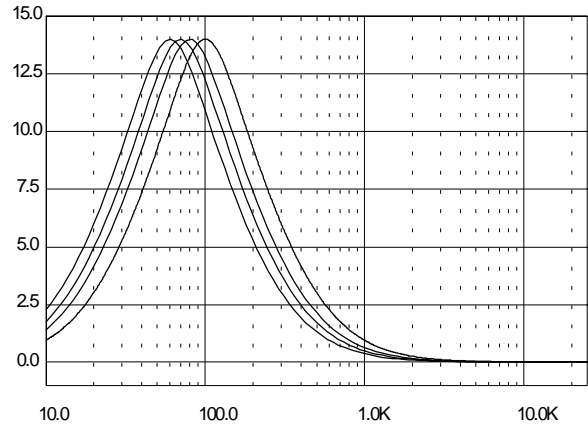


Figure 10. Bass Quality factors @ Gain = 14dB, $f_c = 80\text{Hz}$

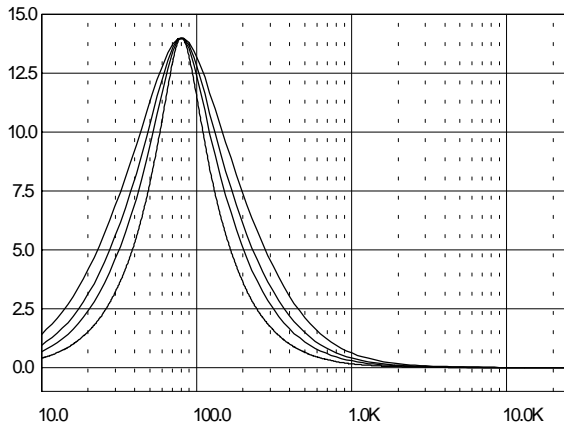
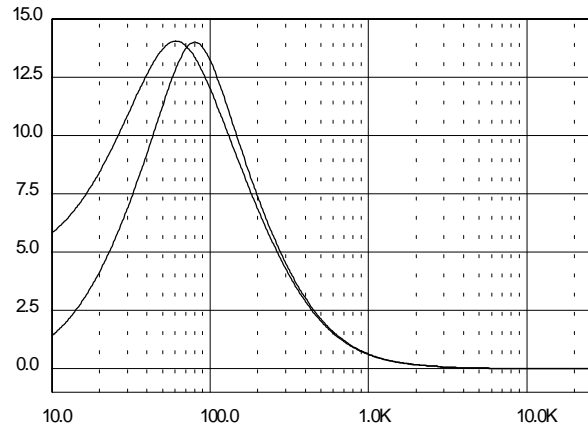


Figure 11. Bass normal and DC Mode @ Gain = 14dB, $f_c = 80\text{Hz}$



Note: The center frequency, Q and DC-mode can be set independently.

Figure 12. Treble Control @ $f_c = 17.5\text{KHz}$

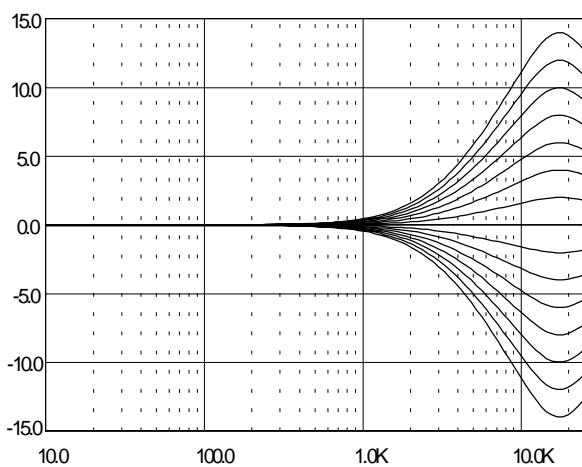
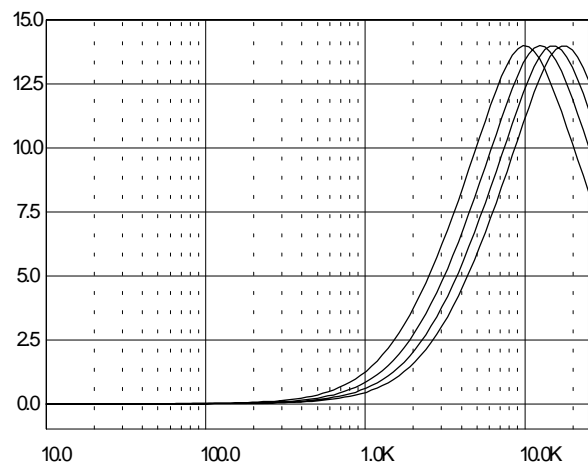
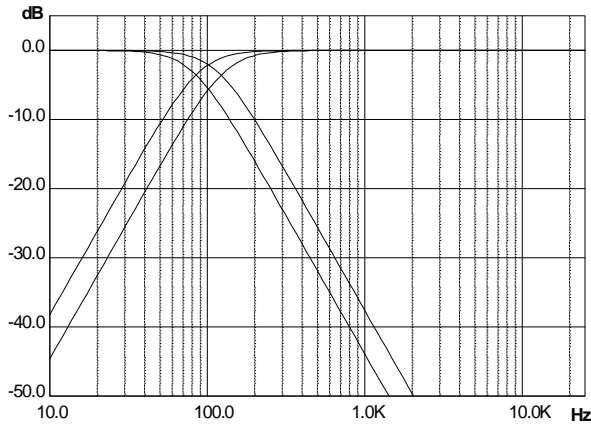


Figure 13. Treble Center Frequencies @ Gain = 14dB



Subwoofer Application

Figure 14. Subwoofer Application with LPF 80/115Hz and HPF 90/130Hz



VoiceBand Application

Figure 15. VoiceBand Application with HPF 180/260Hz and LPF 3k/6kHz

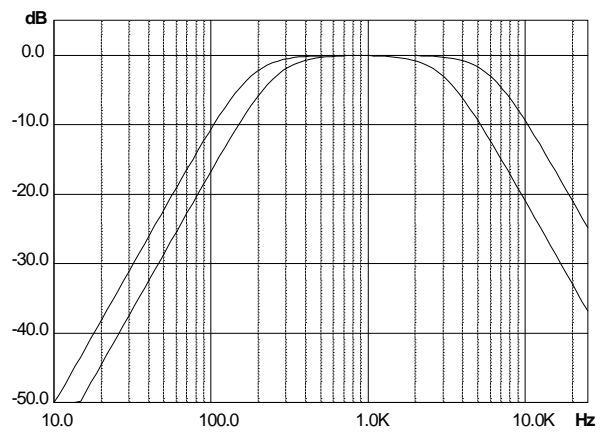
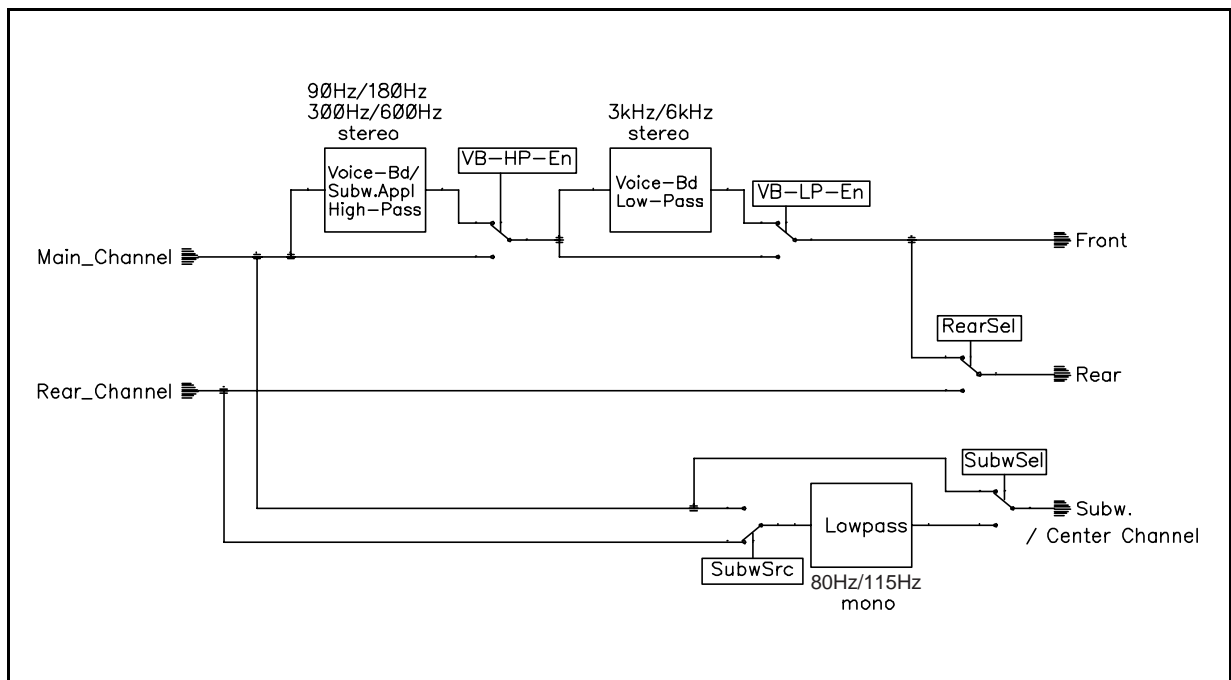


Figure 16. Switchable configuration for Front/Rear processing



Speaker Attenuator

Due to practical aspects the steps in the speaker attenuators are not linear over the full range. At attenuations more than 24dB the steps increase from 1.5dB to 10dB (see data byte specification).

Subwoofer

The Subwoofer output is a differential mono output with 6dB gain. The outgoing signal generated

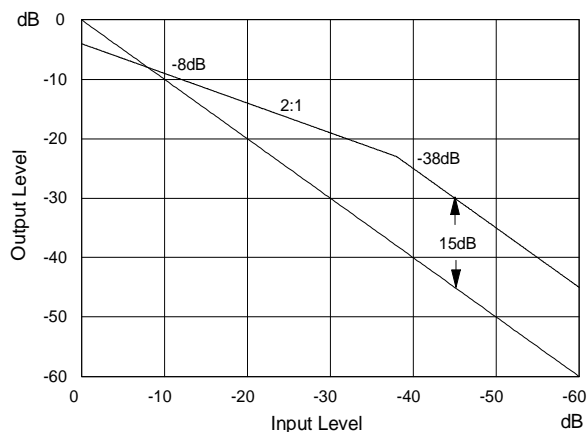
by adding the left and the right channel. The attenuator is exactly the same like the other speakers.

In some applications it could be helpful to change the phase of this output by software. For this purpose a bit is available in the subwoofer byte to change the phase from 0° to 180°.

Compander Stage

To achieve the desired compression characteristic like shown below the volume has to be decreased by 4dB.

Figure 17. Compander Characteristics



When the compander is working a volume word coming from this stage is added to the I²C bus volume word and the volume is changed with a

soft slope between adjacent steps. As mentioned in the description of this stage it is not recommended to change the volume during this slope. The compander-hold bit (Bit 7 in the subaddress-byte) is present to implement the volume change more easily. The recommended sequence for changing the volume level when compander feature is on is the following:

1. Set the compander-hold bit
2. Wait the actual SoftStep time
3. Change the volume
4. Reset the compander-hold bit

The SoftStep times are (in compander ON condition) automatically adapted to the attack time of the Compander. In the following table the related SoftStep times are shown:

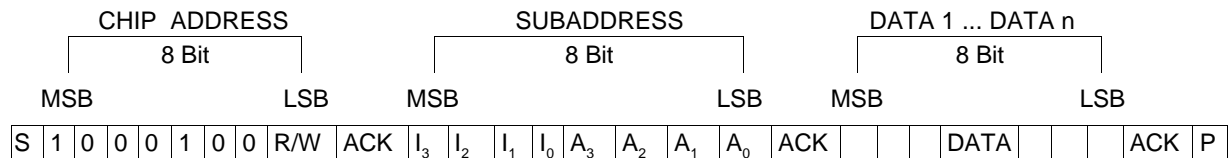
Attack-Time	SoftStep Time
6ms	0.16ms
12ms	0.32ms
24ms	0.64ms
48ms	1.28ms

I²C BUS INTERFACE DESCRIPTION

Interface Protocol

The interface protocol comprises:

- a start condition (S)
- a chip address byte (the LSB bit determines read / write transmission)
- a subaddress byte
- a sequence of data (N-bytes + acknowledge)
- a stop condition (P)
- the max. Clock Speed is 500kbits/s



S = Start

R/W = "0" -> Receive Mode (Chip could be programmed by μ P)

"1" -> Transmission Mode (Data could be received by μ P)

ACK = Acknowledge

P = Stop

The transmitted data is automatic updated after each ACK. Transmission can be repeated without new chipaddress.

Reset Condition

A Power On reset (POR) is invoked if the supply voltage is below than 3.5V. After that the following data is written automatically into the registers of all subaddresses:

TRANSMITTED DATA (send mode)

MSB				LSB			
X	X	X	X	ST	SM	X	X

SM = Soft mute activated

ST = Stereo

X = Not Used

MSB							LSB
1	1	1	1	1	1	1	0

The programming after POR is marked bold-face / underlined in the programming tables.

With this programming all the outputs are muted to V_{REF} ($V_{OUT} = V_{DD}/2$).

SUBADDRESS (receive mode)

MSB				LSB				FUNCTION
I3	I2	I1	I0	A3	A2	A1	A0	
0 1								Compander Hold ¹ off on
	0 1							AutoZero Remain ² off on
		0 1						Testmode ³ off on
			0 1					Auto-Increment Mode ⁴ off on
				0 0 0 0 0 0 0 1 1 1 1 1 1 1	0 0 0 0 1 1 0 0 0 1 0 1 1	0 0 1 1 0 1 1 0 0 1 0 1 0 0	0 1 0 1 0 1 1 0 1 0 1 0 0 1 1 0 1 0 1	Main Selector Main Loudness Volume Bass-Config./Treble Bass Speaker attenuator LF Speaker attenuator RF Rear Selector Rear Loudness Speaker attenuator LR Speaker attenuator RR Subwoofer SoftMute/Mixing Compander Configuration Testing

¹For more information see Compander section²For more information see AutoZero section³For more information see Test Programming block⁴If this bit is set to "1", the subaddress is automatically incremented after the transmission of a data-byte.
Therefore a transmission of more than one byte without sending the new subaddress is possible.

DATA BYTE SPECIFICATION
Main Selector

MSB				LSB				FUNCTION
D7	D6	D5	D4	D3	D2	D1	D0	
					0 0 0 0 1 1 1 1	0 0 1 1 0 1 1 1	0 1 0 1 0 1 0 1	Source Selector Mono Differential Single Ended 1 Full Differential Single Ended 2 Pseudo Differential Single Ended 3 Mute beep
	1 1 : 0 0	1 1 : 0 0	1 1 : 0 0	1 0 : 1 0				Input Gain 15dB 14dB : 1dB 0dB
0 1								Pause Source Selector Single Ended 3 Pseudo Differential

Main Loudness

MSB				LSB				LOUDNESS
D7	D6	D5	D4	D3	D2	D1	D0	
				0 0 : 1 1	0 0 : 1 1	0 0 : 1 1	0 1 : 0 1	Attenuation 0dB -1dB : -14dB -15dB
			0 1					Filter on off (flat)
		0 1						Center Frequency 400Hz 800Hz
	0 1							Loudness Q First order Second order
0 1								SoftStep Volume off on

Note: The attenuation is specified at high frequencies. Around the center frequency the value is different depending on the programmed attenuation (see Loudness frequency response).

Volume

MSB							LSB	ATTENUATION
D7	D6	D5	D4	D3	D2	D1	D0	
0	0	0	0	0	0	0	0	Gain/Attenuation
0	0	0	0	0	0	0	1	+32.0dB (Note)
:	:	:	:	:	:	:	:	+31.5dB
0	0	0	1	1	0	0	0	:
0	0	0	1	1	0	0	1	+20.0dB
0	0	0	1	1	0	1	0	+19.5dB
0	0	0	1	1	0	1	1	+19.0dB
:	:	:	:	:	:	:	:	:
0	0	1	1	1	1	1	1	+0.5dB
0	1	0	0	0	0	0	0	0.0dB
0	1	0	0	0	0	0	1	-0.5dB
:	:	:	:	:	:	:	:	:
1	1	0	1	1	1	1	0	-79.0dB
1	1	0	1	1	1	1	1	-79.5dB

Note: It is not recommended to use a gain more than 20dB for system performance reason. In general, the max. gain should be limited by software to the maximum value, which is needed for the system.

Bass Configuration. & Treble Programming

MSB							LSB	BASS & TREBLE ATTENUATION
D7	D6	D5	D4	D3	D2	D1	D0	
				0	0	0	0	Treble Steps
				0	0	0	1	-14dB
				:	:	:	:	-12dB
				0	1	1	0	:
				0	1	1	1	-2dB
				1	1	1	1	0dB
				1	1	1	0	0dB
				:	:	:	:	+2dB
				1	0	0	1	:
				1	0	0	0	+12dB
								+14dB
		0	0					Treble Center Frequency
		0	1					10.kHz
		1	0					12.5kHz
		1	1					15.0kHz
								17.5kHz
0	0							Bass Center Frequency
0	1							60Hz
1	0							70Hz
1	1							80Hz
								100Hz

Bass Programming

MSB							LSB	BASS ATTENUATION
D7	D6	D5	D4	D3	D2	D1	D0	
			0	0	0	0	0	Bass Steps -15dB
			0	0	0	0	0	-14dB
			:	:	:	:	:	:
			0	1	1	1	0	-1 dB
			0	1	1	1	1	0 dB
			1	1	1	1	1	0 dB
			1	1	1	1	0	+1 dB
			:	:	:	:	:	:
			1	0	0	0	1	+14dB
			1	0	0	0	0	+15dB
	0	0						Bass Q Factor 1
	0	1						1.25
	1	0						1.5
	1	1						2
0								Bass DC-Mode off
1								on

Note: For more information please refer to section Bass description

Speaker Attenuation Front (left & right channel)

MSB							LSB	ATTENUATION/BASS CF
D7	D6	D5	D4	D3	D2	D1	D0	
		0	0	0	0	0	0	Attenuation 0dB
		0	0	0	0	0	1	-1dB
		:	:	:	:	:	:	:
		0	1	0	1	1	1	-23dB
		0	1	1	0	0	0	-24.5dB
		0	1	1	0	0	1	-26dB
		0	1	1	0	1	0	-28dB
		0	1	1	0	1	1	-30dB
		0	1	1	1	0	0	-32dB
		0	1	1	1	0	1	-35dB
		0	1	1	1	1	0	-40dB
		0	1	1	1	1	1	-50dB
		1						Speaker Mute
	0							Bass Center-Frequency (only Speaker LF) ¹⁾ Bass 150Hz
	1							Bass 100Hz

For this Bass Center-Frequency must be programmed to 100Hz

Rear Selector

MSB				LSB				FUNCTION
D7	D6	D5	D4	D3	D2	D1	D0	
					0	0	0	Source Selector Mono Differential Single Ended 1 Full Differential Single Ended 2 Pseudo Differential Single Ended 3 Mute Beep
					0	0	1	
					0	1	0	
					0	1	1	
					1	0	0	
					1	0	1	
					1	1	0	
					1	1	1	
	1	1	1	1				Input Gain 15dB 14dB : 1dB 0dB
	1	1	1	0				
	:	:	:	:				
	0	0	0	1				
	0	0	0	0				
1								must be "1"

Rear Loudness

MSB				LSB				FUNCTION
D7	D6	D5	D4	D3	D2	D1	D0	
				0	0	0	0	Attenuation 0dB -1dB : -14dB -15dB
				0	0	0	0	
				:	:	:	:	
				1	1	1	1	
				1	1	1	1	
			0					Filter on off
			1					
		0						Center Frequency 400Hz 800Hz
		1						
	0							Loudness Order First Order Second Order
	1							
0								Beep Frequency 781Hz 1.56kHz
1								

Note: The programming of the Main- and Rear-Selector as well as the Main- and Rear-Loudness is exactly the same, except the MSB's.

Speaker Attenuation Rear (left & right channel)

MSB				LSB				FUNCTION
D7	D6	D5	D4	D3	D2	D1	D0	
		0	0	0	0	0	0	Attenuation
		0	0	0	0	0	1	0dB
		:	:	:	:	:	:	-1dB
		0	1	0	1	1	1	:
		0	1	1	0	0	0	-23dB
		0	1	1	0	0	1	-24.5dB
		0	1	1	0	1	0	-26dB
		0	1	1	0	1	1	-28dB
		0	1	1	0	1	1	-30dB
		0	1	1	1	0	0	-32dB
		0	1	1	1	0	1	-35dB
		0	1	1	1	1	0	-40dB
		0	1	1	1	1	1	-50dB
		1						Speaker Mute
	0							Input Signal for Rear Speaker (only Spkr LR)¹⁾
	1							Rear Channel
								Main Channel
	0							Subw. Low-Pass Frequency (only Spkr RR)
	1							80Hz
								115Hz
0								Input Signal for Subwoofer (only Spkr RR)²⁾
1								Rear Channel
								Main Channel

¹⁾ see Figure 16 Switch RearSel

²⁾ see Figure 16 Switch SubwSel

Subwoofer

MSB							LSB	FUNCTION
D7	D6	D5	D4	D3	D2	D1	D0	
		0	0	0	0	0	0	Attenuation 0dB
		0	0	0	0	0	1	-1dB
		:	:	:	:	:	:	:
		0	1	0	1	1	1	-23dB
		0	1	1	0	0	0	-24.5dB
		0	1	1	0	0	1	-26dB
		0	1	1	0	1	0	-28dB
		0	1	1	0	1	1	-30dB
		0	1	1	1	0	0	-32dB
		0	1	1	1	0	1	-35dB
		0	1	1	1	1	0	-40dB
		0	1	1	1	1	1	-50dB
		1						Speaker Mute
	0							Subwoofer Phase 180°
	1							0°
0								Subwoofer Low-Pass Filter off
1								on

SoftMute and Mixing

MSB							LSB	FUNCTION
D7	D6	D5	D4	D3	D2	D1	D0	
							0	Mute <u>enable SoftMute</u>
							1	<u>disable SoftMute</u>
					0	0		Mute Times 0.48ms
					0	1		0.96ms
					1	0		30.7ms
					1	1		122.8ms
				0				Mixing Source <u>Rear-Selector</u>
				1				Phone
		0	0					Mixing Level (Main/Mix-Source) -12/-2.5dB
		0	1					-6/-6dB
		1	0					-3.5/-9.6dB
		1	1					0/∞
0	0							CD Full-Differential Gain -12dB
0	1							-6dB
1	0							-6dB
1	1							0dB

Compander

MSB							LSB	FUNCTION
D7	D6	D5	D4	D3	D2	D1	D0	
							0 1	Activity off on
					0 0 1 1	0 1 0 1		Attack Times 6ms 12ms 24ms 49ms
			0 0 1 1	0 1 0 1				Release Times 195ms 390ms 780ms 1.56s
0 0 0 0 1 1 1 1			0 0 1 1	0 1 0 1	0 0 1 1	0 1 0 1		SoftStep Time ¹⁾ 160µs 320µs 640µs 1.28ms 2.56ms 5.12ms 10.2ms 20.4ms
		0 1						Max. Compander Gain 23dB 19dB
	0 1							Compander Input Rear Selector (after Rear InGain) Front Selector (after Front InGain)

1) Only possible if the Compander is off (Bit D0 set to 0)

Configuration

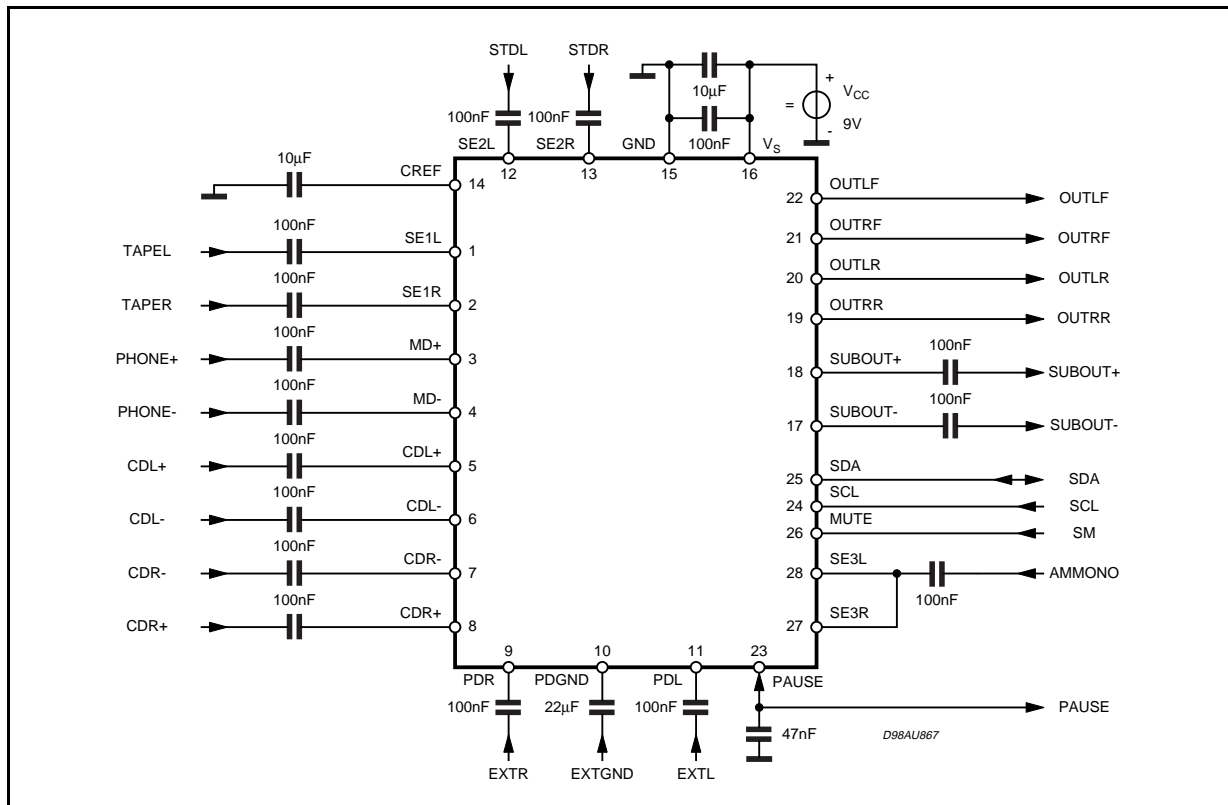
MSB							LSB	FUNCTION
D7	D6	D5	D4	D3	D2	D1	D0	
							0 1	Pause Detector off on
					0 0 1 1	0 1 0 1		Pause ZC Window 160mV 80mV 40mV 20mV
				0 1				Voice-Band Low-Pass Enable Filter off Filter on
			0 1					Voice-Band Low-Pass Frequency 3kHz 6kHz
		0 1						Voice-Band High-Pass Enable Filter off Filter on
0 0 1 1	0 1 0 1							High-Pass Cut-Off-Frequency 90Hz 180Hz 130Hz 260Hz

Testing

MSB							LSB	FUNCTION
D7	D6	D5	D4	D3	D2	D1	D0	
							0 1	Main Testmode Switch ¹⁾ off on
				0 0 0 0 1 1 1 1	0 0 1 1 0 0 1 1	0 1 0 1 0 0 1 0 1		Test Multiplexer Compander Log-Amp. Output Compander Low-Pass Output Compander DAC Output internal 200kHz Clock not allowed not allowed internal Bandgap Voltage not allowed
			0 1					Compander Testmode off on
		0 1						Clock external internal
1	1							must be "1"

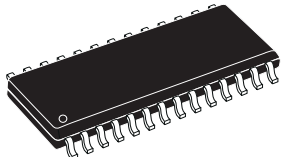
1) To avoid inadvertently programming of the Main-Testmode as well the Compander testmode it is mandatory to set the Bit 5 in the subaddress-byte to high at the same time.

Figure 18. Application Circuit.

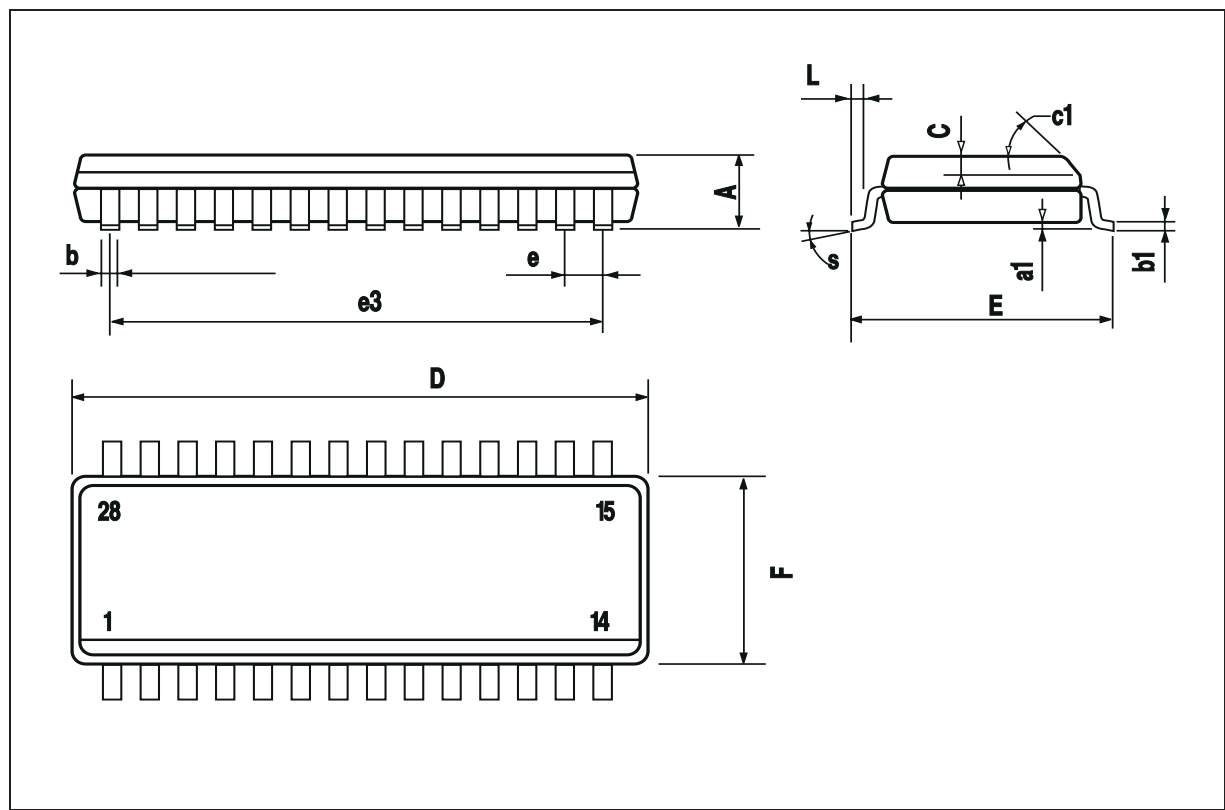


DIM.	mm			inch		
	MIN.	TYP.	MAX.	MIN.	TYP.	MAX.
A			2.65			0.104
a1	0.1		0.3	0.004		0.012
b	0.35		0.49	0.014		0.019
b1	0.23		0.32	0.009		0.013
C		0.5			0.020	
c1	45° (typ.)					
D	17.7		18.1	0.697		0.713
E	10		10.65	0.394		0.419
e		1.27			0.050	
e3		16.51			0.65	
F	7.4		7.6	0.291		0.299
L	0.4		1.27	0.016		0.050
S	8° (max.)					

OUTLINE AND MECHANICAL DATA



SO28



Information furnished is believed to be accurate and reliable. However, STMicroelectronics assumes no responsibility for the consequences of use of such information nor for any infringement of patents or other rights of third parties which may result from its use. No license is granted by implication or otherwise under any patent or patent rights of STMicroelectronics. Specification mentioned in this publication are subject to change without notice. This publication supersedes and replaces all information previously supplied. STMicroelectronics products are not authorized for use as critical components in life support devices or systems without express written approval of STMicroelectronics.

The ST logo is a registered trademark of STMicroelectronics

© 2001 STMicroelectronics – Printed in Italy – All Rights Reserved

STMicroelectronics GROUP OF COMPANIES

Australia - Brazil - Canada - China - Finland - France - Germany - Hong Kong - India - Israel - Italy - Japan - Malaysia - Malta - Morocco - Singapore - Spain - Sweden - Switzerland - United Kingdom - United States.

<http://www.st.com>