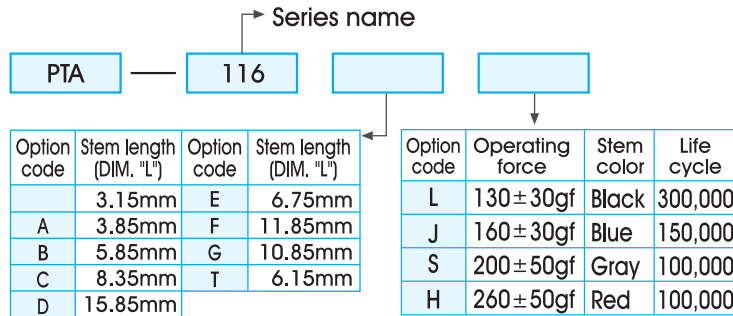


6 x 6 mm Right Angle Type

Features

- 1.Right angle
- 2.Ground

Part numbering system



Applications

Audio, TV, VCR, Office equipment, Communication apparatus.

Specifications

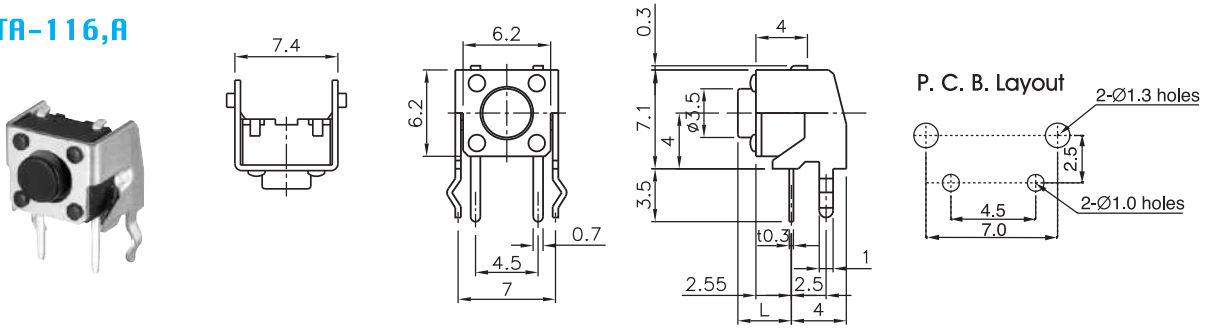
1. Rating: DC12V, 50mA Max.
2. Contact resistance: 100mΩ Max.
3. Travel: 0.25mm ± 0.1

Packaging unit

Bulk: 1,000pcs / bag

Dimensions (unit:mm)

PTA-116,A



PTA-116B, C, D

