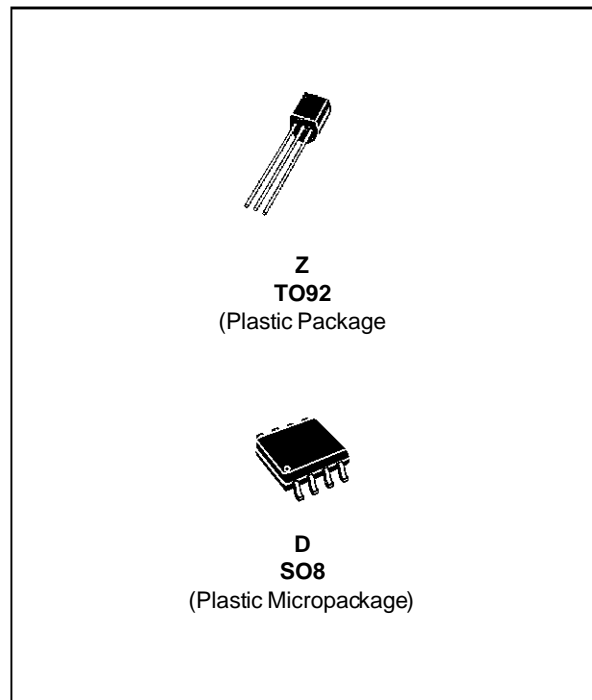


PRECISION TEMPERATURE SENSORS

- DIRECTLY CALIBRATED IN °K
- 1°C INITIAL ACCURACY
- OPERATES FROM 450µA TO 5mA
- LESS THAN 1Ω DYNAMIC IMPEDANCE

DESCRIPTION

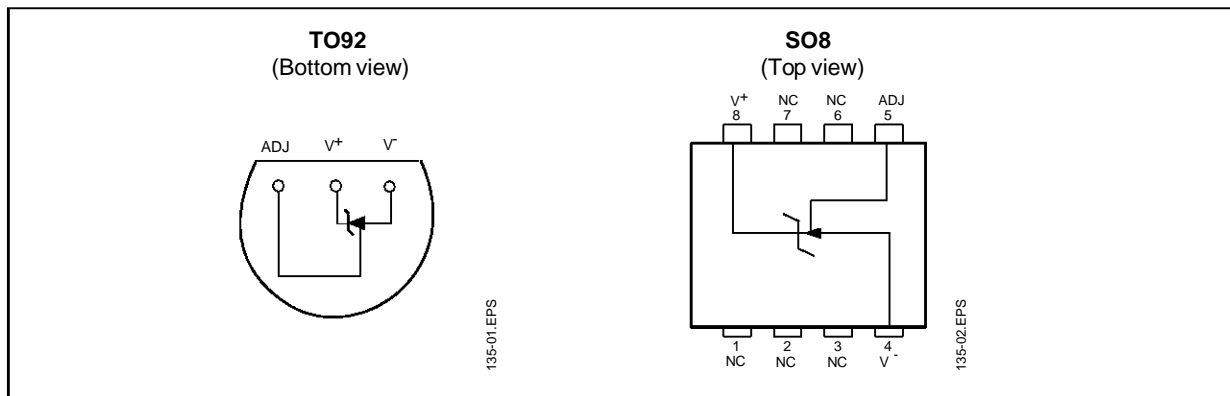
The LM135, LM235, LM335 are precision temperature sensors which can be easily calibrated. They operate as a 2-terminal Zener and the breakdown voltage is directly proportional to the absolute temperature at 10mV/°K. The circuit has a dynamic impedance of less than 1Ω and operates within a range of current from 450µA to 5mA without alteration of its characteristics. Calibrated at +25°C, the LM135, LM235, LM335 have a typical error of less than 1°C over a 100°C temperature range. Unlike other sensors, the LM135, LM235, LM335 have a linear output.



ORDER CODES

Part number	Temperature Range	Package	
		Z	D
LM135	-55°C, +150°C	•	•
LM235	-40°C, +125°C	•	•
LM335,A	-40°C, +100°C	•	•

PIN CONNECTIONS



TEMPERATURE ACCURACY

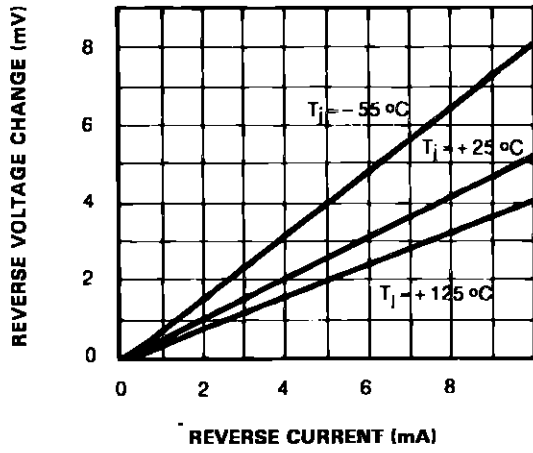
Parameter	LM135 - LM235 LM335A			LM335			Unit
	Min.	Typ.	Max.	Min.	Typ.	Max.	
Operating Output Voltage $T_{case} = +25^{\circ}C, I_R = 1mA$	2.95	2.98	3.01	2.92	2.98	3.04	V
Uncalibrated Temperature Error ($I_R = 1mA$) $T_{case} = +25^{\circ}C$ $T_{min.} \leq T_{case} \leq T_{max.}$		1 2	3 5		2 4	6 9	$^{\circ}C$
Temperature Error with $25^{\circ}C$ Calibration $T_{min.} \leq T_{case} \leq T_{max.}, I_R = 1mA$		0.5	1.5		1	2	$^{\circ}C$
Calibrated Error at Extended Temperature $T_{case} = T_{max.}$ (intermittent)		2			2		$^{\circ}C$
Non-linearity ($I_R = 1mA$)		0.3	1		0.3	1.5	$^{\circ}C$
	LM135 - LM235 LM335 LM335A	0.3	1.5				

ELECTRICAL CHARACTERISTICS - (note 1)

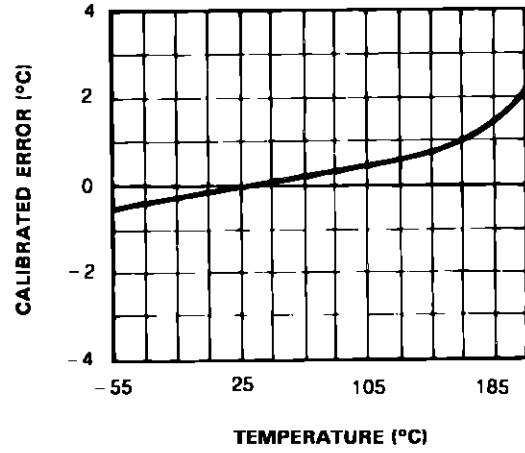
Parameter	LM135 - LM235			LM335,A			Unit
	Min.	Typ.	Max.	Min.	Typ.	Max.	
Operating output voltage change with current $450\mu A \leq I_R \leq 5mA$ at constant temperature		2.5	10		3	14	mV
Dynamic Impedance ($I_R = 1mA$)		0.5			0.6		Ω
Output Voltage Temperature Drift		+10			+10		mV/ $^{\circ}C$
Time Constant	Still Air	80			80		s
	Air 0.5m/s	10			10		
	Stirred Oil	1			1		
Time Stability ($T_{case} = +125^{\circ}C$)		0.2			0.2		$^{\circ}C/kh$

Note : 1. Accuracy measurements are made in a well-stirred oil bath. For other conditions, self heating must be considered.

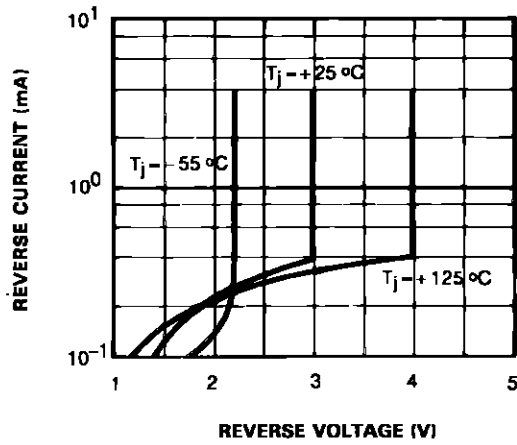
REVERSE VOLTAGE CHANGE



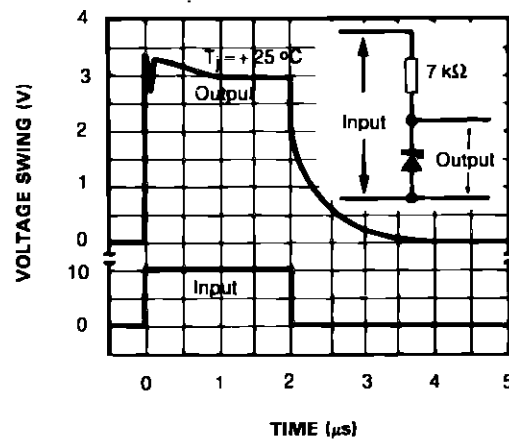
CALIBRATED ERROR



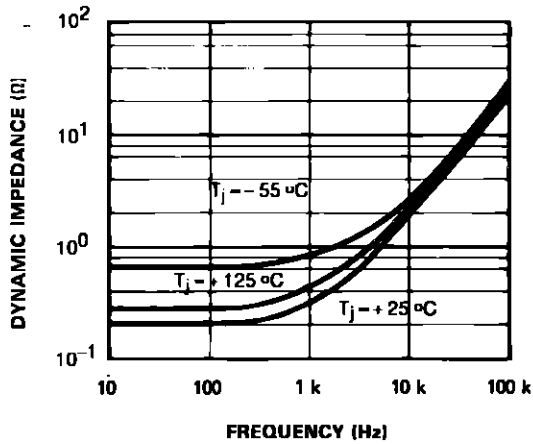
REVERSE CHARACTERISTICS



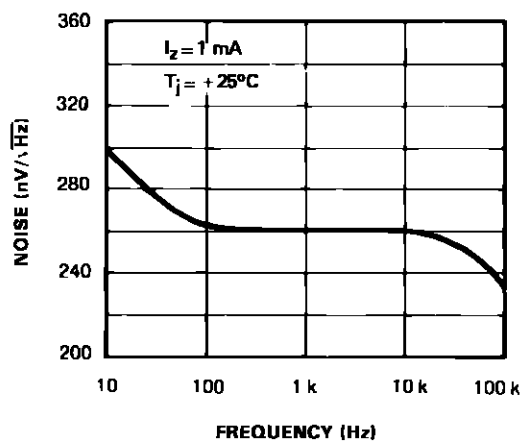
RESPONSE TIME



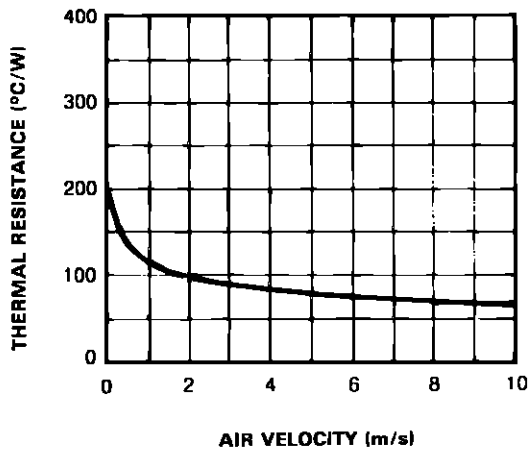
DYNAMIC IMPEDANCE



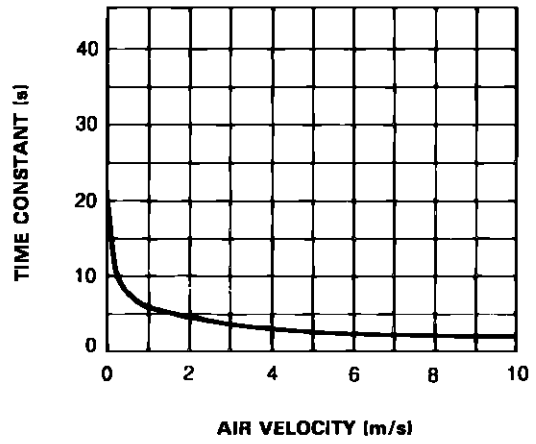
NOISE VOLTAGE



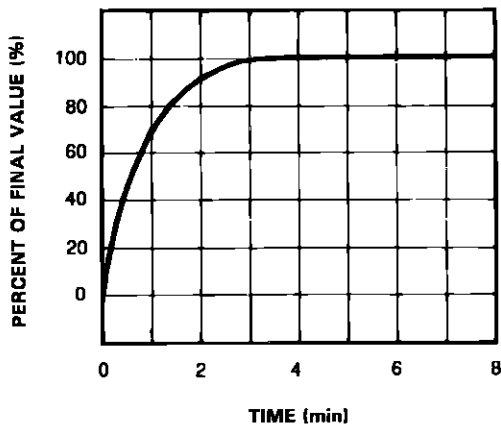
THERMAL RESISTANCE JUNCTION TO AIR



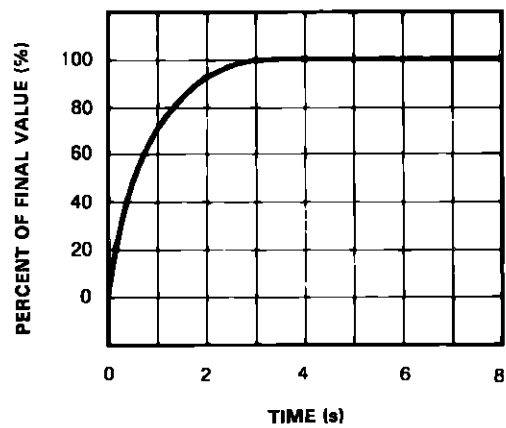
THERMAL TIME CONSTANT



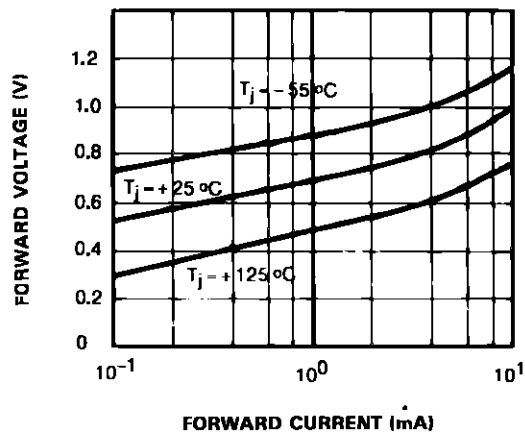
THERMAL RESPONSE IN STILL AIR



THERMAL RESPONSE IN STIRRED OIL BATH



FORWARD CHARACTERISTICS



APPLICATION HINTS

There is an easy method of calibrating the device for higher accuracies (see typical applications).

The single point calibration works because the output of the LM135, LM235, LM335 is proportional to the absolute temperature with the extrapolated output of sensor going to 0V at 0°K (-273.15°C). Errors in output voltage versus temperature are only slope. Thus a calibration of the slope at one temperature corrects errors at all temperatures.

The output of the circuit (calibrated or not) can be given by the equation : $V_{OT} = V_{OT0} \times \frac{T}{T_0}$

where T is the unknown temperature and T₀ is the reference temperature (in °K).

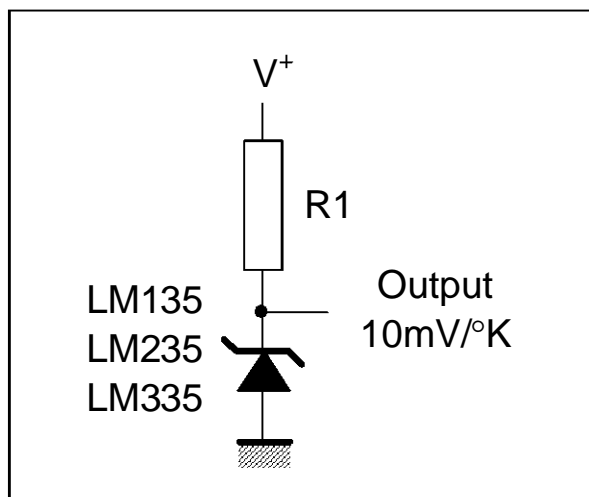
Nominally the output is calibrated at 10mV/°K.

Precautions should be taken to ensure good sensing accuracy. As in the case of all temperatures sensors, self heating can decrease accuracy. The LM135, LM235, LM335 should operate with a low current, but sufficient to drive the sensor and its calibration circuit to their maximum operating temperature.

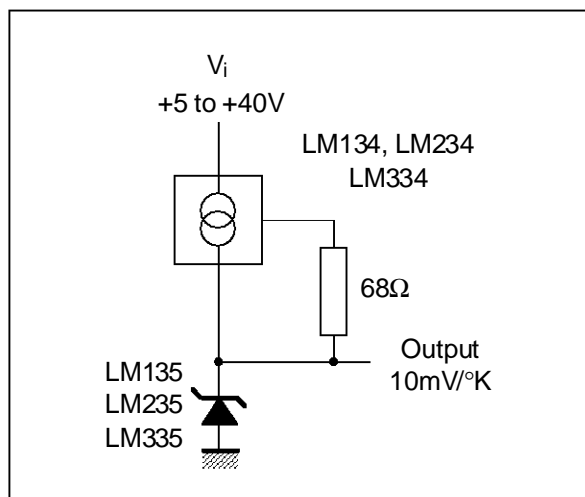
If the sensor is used in surroundings where the thermal resistance is constant, the errors due to self heating can be externally calibrated. This is possible if the circuit is biased with a temperature stable current. Heating will then be proportional to zener voltage and therefore temperature. In this way the error due to self heating is proportional to the absolute temperature as scale factor errors.

TYPICAL APPLICATIONS

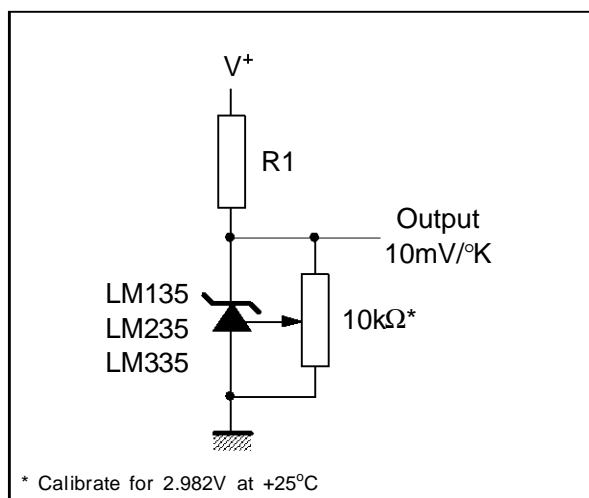
BASIC TEMPERATURE SENSOR



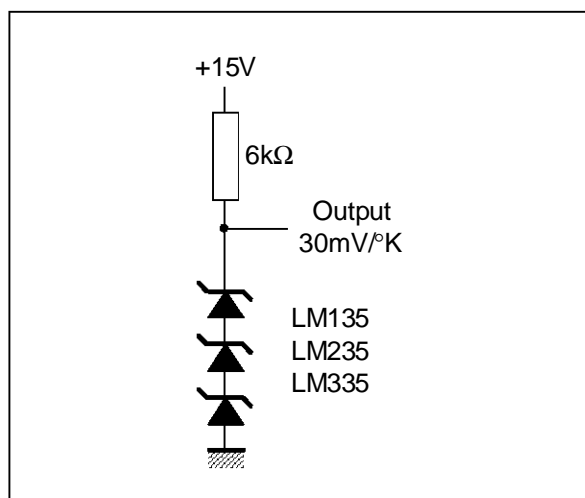
WIDE OPERATING SUPPLY



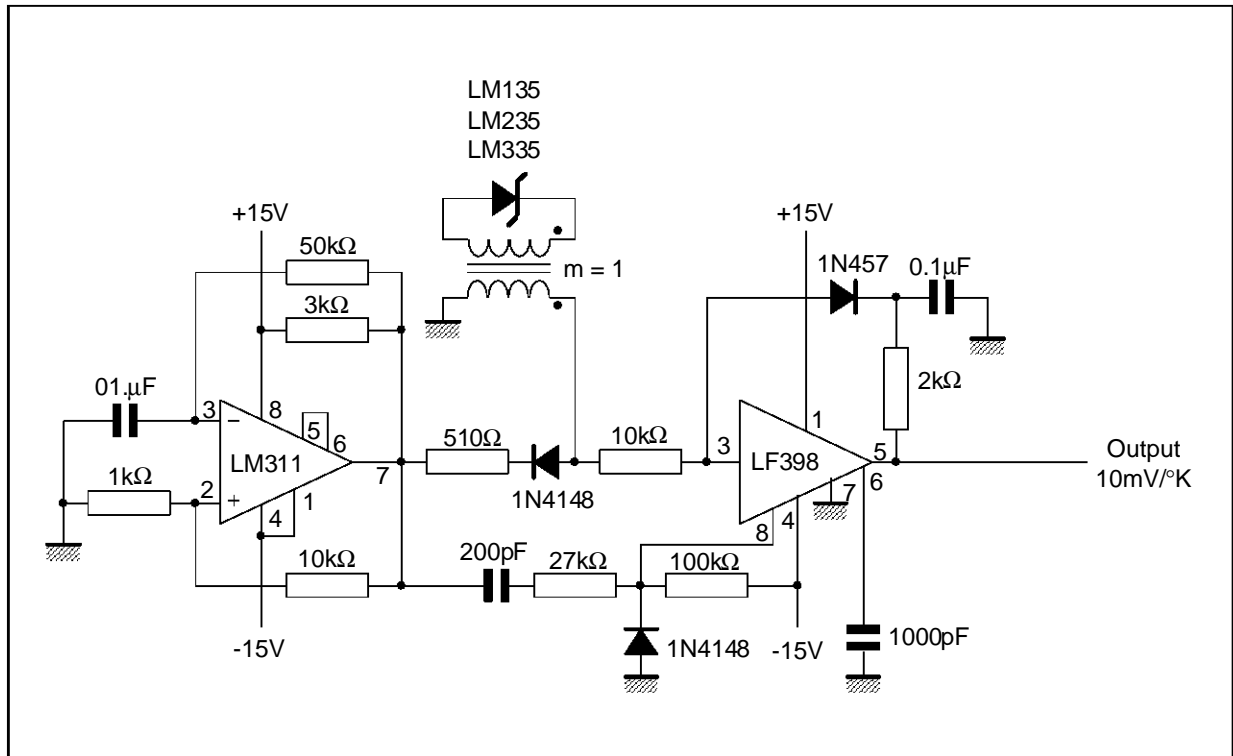
CALIBRATED SENSOR



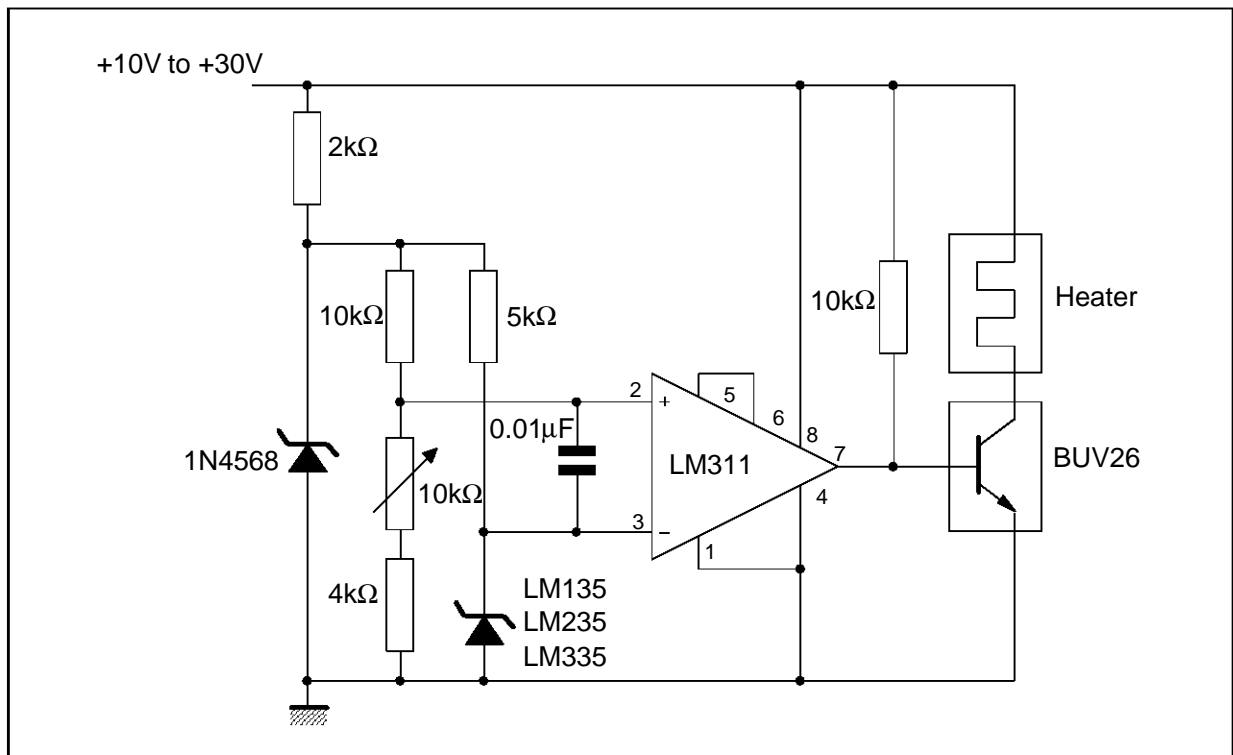
AVERAGE TEMPERATURE SENSING



ISOLATED TEMPERATURE SENSOR

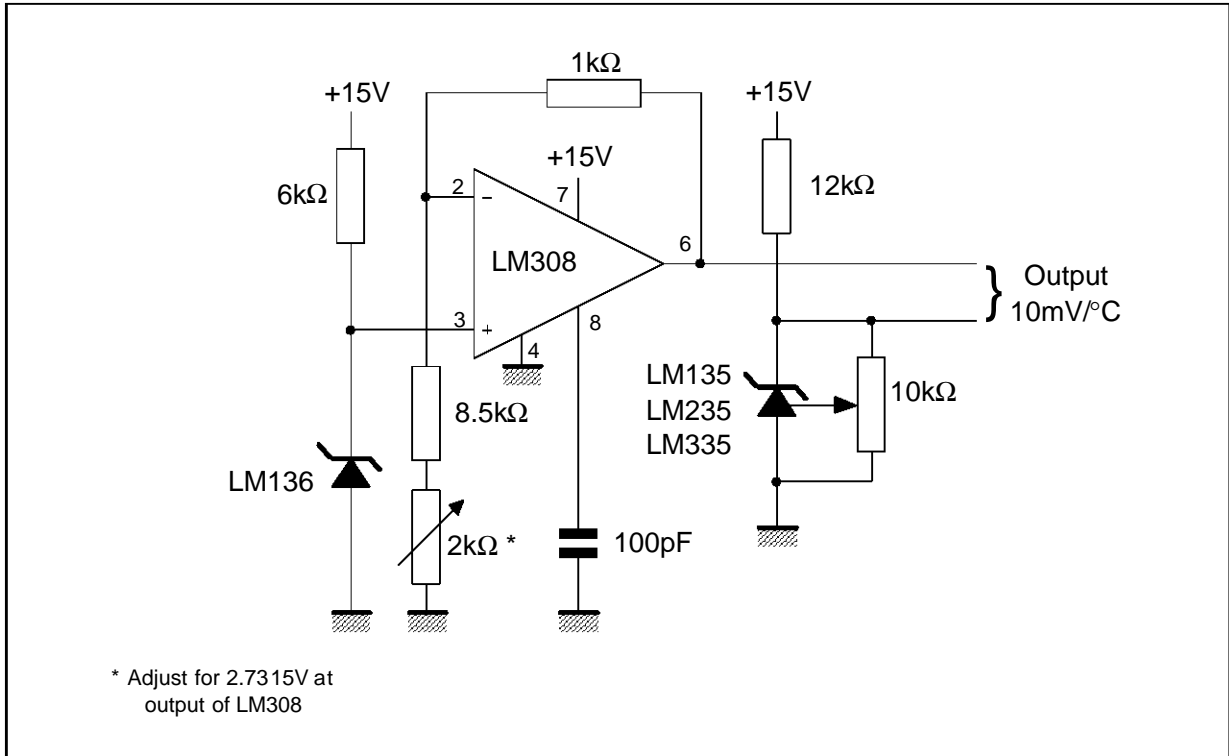


SIMPLE TEMPERATURE CONTROLLER

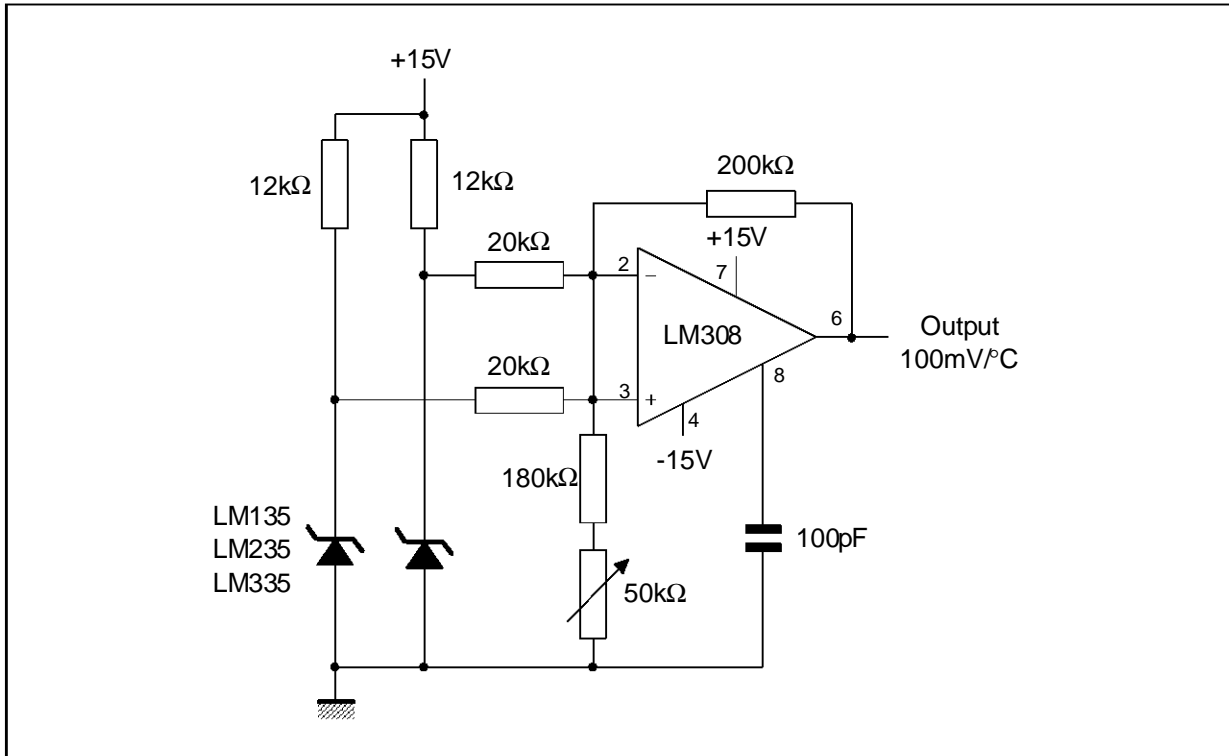


LM135-LM235-LM335,A

CENTIGRADE THERMOMETER

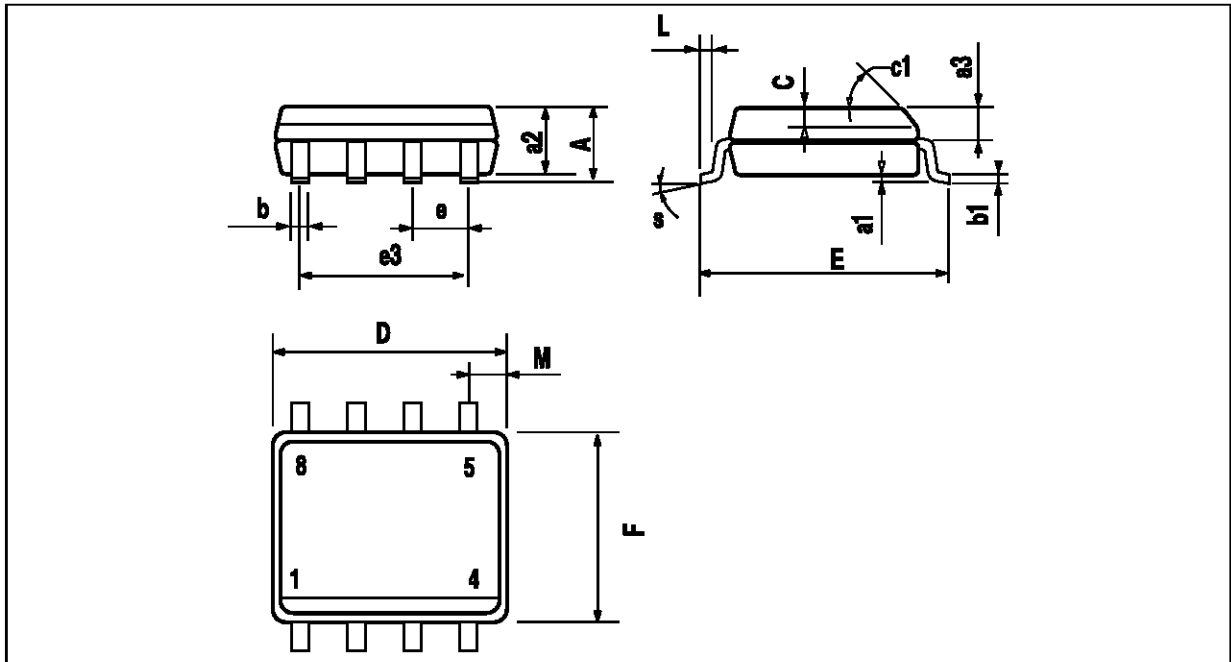


DIFFERENTIAL TEMPERATURE SENSOR



LM135-LM235-LM335,A

PACKAGE MECHANICAL DATA
8 PINS - PLASTIC MICROPACKAGE (SO)

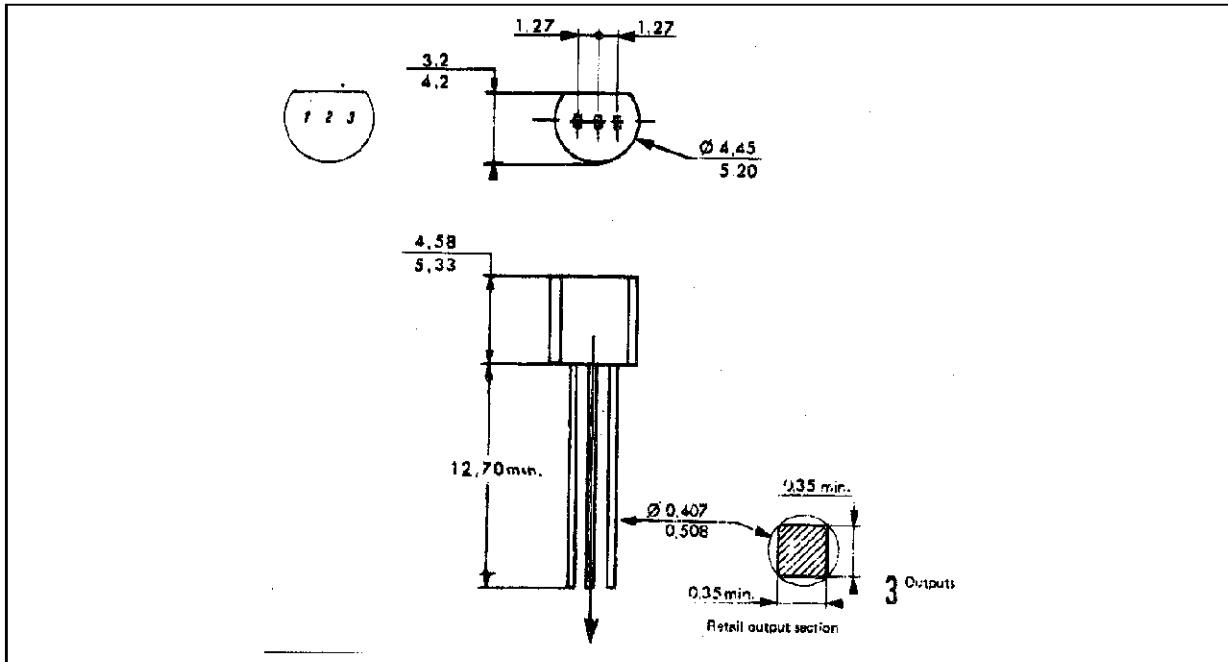


PM-S08.EPS

Dimensions	Millimeters			Inches		
	Min.	Typ.	Max.	Min.	Typ.	Max.
A			1.75			0.069
a1	0.1		0.25	0.004		0.010
a2			1.65			0.065
a3	0.65		0.85	0.026		0.033
b	0.35		0.48	0.014		0.019
b1	0.19		0.25	0.007		0.010
C	0.25		0.5	0.010		0.020
c1	45° (typ.)					
D	4.8		5.0	0.189		0.197
E	5.8		6.2	0.228		0.244
e		1.27			0.050	
e3		3.81			0.150	
F	3.8		4.0	0.150		0.157
L	0.4		1.27	0.016		0.050
M			0.6			0.024
S	8° (max.)					

SO8.TBL

PACKAGE MECHANICAL DATA
3 PINS - PLASTIC PACKAGE TO92



Dimensions	Millimeters			Inches		
	Min.	Typ.	Max.	Min.	Typ.	Max.
L		1.27			0.05	
B	3.2	3.7	4.2	0.126	0.1457	0.1654
O1	4.45	5.00	5.2	0.1752	0.1969	0.2047
C	4.58	5.03	5.33	0.1803	0.198	0.2098
K	12.7			0.5		
O2	0.407	0.5	0.508	0.016	0.0197	0.02
a	0.35			0.0138		

Information furnished is believed to be accurate and reliable. However, SGS-THOMSON Microelectronics assumes no responsibility for the consequences of use of such information nor for any infringement of patents or other rights of third parties which may result from its use. No license is granted by implication or otherwise under any patent or patent rights of SGS-THOMSON Microelectronics. Specification mentioned in this publication are subject to change without notice. This publication supersedes and replaces all information previously supplied. SGS-THOMSON Microelectronics products are not authorized for use as critical components in life support devices or systems without express written approval of SGS-THOMSON Microelectronics.

© 1997 SGS-THOMSON Microelectronics – Printed in Italy – All Rights Reserved

SGS-THOMSON Microelectronics GROUP OF COMPANIES
 Australia - Brazil - Canada - China - France - Germany - Hong Kong - Italy - Japan - Korea - Malaysia - Malta - Morocco
 The Netherlands - Singapore - Spain - Sweden - Switzerland - Taiwan - Thailand - United Kingdom - U.S.A.