



LC86E7248

8-Bit Single Chip Microcontroller with the UVEPROM

Preliminary

Overview

The LC86E7248 is a CMOS 8-bit single chip microcontroller with UVEPROM for the LC867200 series. This microcontroller has the function and the pin description of the LC867200 series mask ROM version, and 48K-byte EPROM. The program data is rewritable. It is suitable to develop the program.

Features

- (1) Option switching by EPROM data

The option function of the LC867200 series can be specified by the EPROM data.

LC86E7248 can be checked the functions of the trial pieces using the mass production board.

- (2) Internal EPROM capacity : 49408 bytes
 (3) Internal RAM capacity : 1152 bytes

Used EPROM or RAM capacity are equal ROM or RAM capacity of mask ROM version which applies LC86E7248.

Mask ROM version	EPROM capacity	RAM capacity
LC867248	49152 bytes	1152 bytes
LC867240	40960 bytes	1152 bytes
LC867232	32768 bytes	1152 bytes
LC867224	24576 bytes	1152 bytes

- (4) Operating supply voltage : 4.5V to 6.0V
 (5) Instruction cycle time : 1 μ s to 366 μ s
 (6) Operating temperature : +10°C to +40°C
 (7) The pin compatible with the LC867200 series mask ROM devices
 (8) Applicable mask ROM version : LC867248/40/32/24
 (9) Factory shipment : QFC100S (with window)

■ Any and all SANYO products described or contained herein do not have specifications that can handle applications that require extremely high levels of reliability, such as life-support systems, aircraft's control systems, or other applications whose failure can be reasonably expected to result in serious physical and/or material damage. Consult with your SANYO representative nearest you before using any SANYO products described or contained herein in such applications.

■ SANYO assumes no responsibility for equipment failures that result from using products at values that exceed, even momentarily, rated values (such as maximum ratings, operating condition ranges, or other parameters) listed in products specifications of any and all SANYO products described or contained herein.

SANYO Electric Co.,Ltd. Semiconductor Company

TOKYO OFFICE Tokyo Bldg., 1-10, 1 Chome, Ueno, Taito-ku, TOKYO, 110-8534 JAPAN

Notice for use

At using, take notice of the followings.

(1) A point of difference LC86E7248 and LC867200 series

Item	LC86E7248	LC867248/40/32/24
Operation after reset releasing	The option is specified until 3ms after going to a 'H' level to the reset terminal by degrees. The program is executed from 00H of the program counter.	The program is executed from 00H of the program counter immediately after going to a 'H' level to the reset terminal.
Operating supply voltage range (VDD)	4.5V to 6.0V	2.5V to 6.0V
Operating temperature range (Topr)	+10°C to +40°C	-30°C to +70°C
Power dissipation	Refer to 'electrical characteristics' on the semiconductor news.	

LC86E7248 uses 256 bytes that is addressed on 0FF00H to FFFFH in the program memory as the option configuration data area. This option configuration cannot execute all options which LC867200 series have. Next tables show the options that correspond and not correspond to LC86E7248.

• A kind of the option corresponding of the LC86E7248

A kind of option	Pins, Circuits	Contents of the option
Input/output form of input/output ports	Port 0	1. N-channel open drain output 2. CMOS output *1
		1. Pull-up MOS Tr. 2. No Pull-up MOS Tr. *2
	Port 1 *1	1. Input : Programmable pull-up MOS Tr. Output : N-channel open drain 2. Input : Programmable pull-up MOS Tr. Output : CMOS
Pull-up MOS Tr. of input port	Port 3 *1	1. Input : No Programmable pull-up MOS Tr. Output : N-channel open drain 2. Input : Programmable pull-up MOS Tr. Output : CMOS
	Ports 70, 71, 72, 73 *1	1. No Pull-up MOS Tr. 2. Pull-up MOS Tr.

*1) Specified in a bit.

*2) Specified in nibble unit. Pull-up MOS Tr. is not provided in N-channel open drain output port.

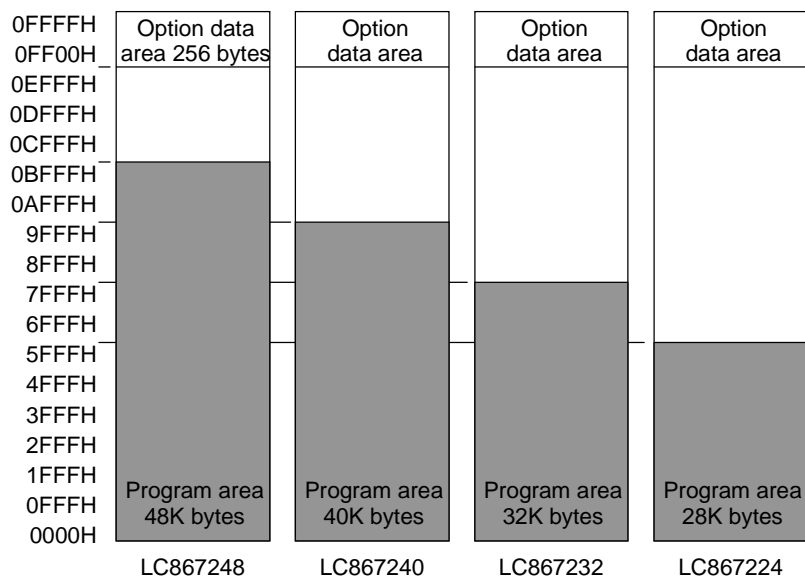
The port operation related the option is different at reset. Refer to the next table.

(1) Option

The option data is created by the option specified program “SU86K.EXE”. The created option data is linked to the program area by linkage loader “L86K.EXE”.

(2) ROM space

LC86E7248 and LC867200 series use 256 bytes that is addressed on 0FF00H to 0FFFFH in the program memory as the option specified data area. These program memory capacity are 49152 bytes that is addressed on 0000H to 0BFFFH.



How to use

(1) Specification of option

Programming data for PROM of the LC86E7248 is required.

Debugged evaluation file (EVA file) must be converted to an INTEL-HEX formatted file (HEX file) with file converter program, EVA2HEX.EXE. The HEX file is used as the programming data for the LC86P6548.

(2) How to program for the EPROM

The LC86E7248 can be programmed by EPROM programmer with attachment ; W86EP7248Q

- Recommended EPROM programmer

Product	EPROM programmer
Advantest	R4945, R4944, R4943
Andou	AF-9704
AVAL	PKW-1100, PKW-3000
Minato electronics	MODEL1890A

- “27512 (V_{pp}=12.5V) Intel high speed programming” mode available. The address must be set to “0 to 0FFFFH” and a jumper (DASEC) must be set to ‘OFF’ at programming.

(3) How to use the data security function

“Data security” is the disabled function to read the data of the EPROM.

The following is the process in order to execute the data security.

1. Set ‘ON’ the jumper of attachment.
2. Program again. Then EPROM programmer displays the error. The error means normally activity of the data security. It is not a trouble of the EPROM programmer or the LSI.

Notes

- Data security is not executed when the data of all address have ‘FFH’ at the sequence 2 above.
- The programming by a sequential operation “BLANK=>PROGRAM=>VERIFY” cannot be executed data security at the sequence 2 above.
- Set to ‘OFF’ the jumper after executing the data security.

(4) How to eliminate

The programming data can be erased by using the EPROM eraser.

(5) Shielding

The UVEPROM (ultraviolet erasable programmable ROM) is in it. Put the seal on the window in use.

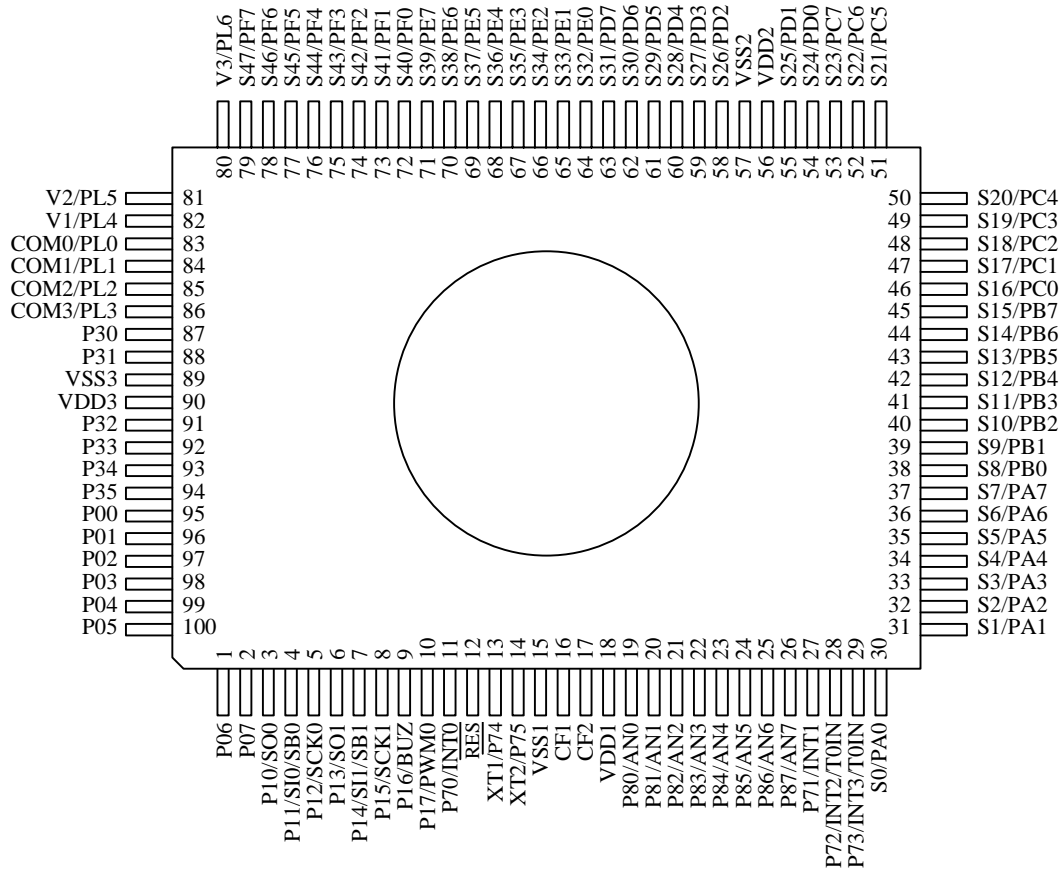
Data security



Not data security

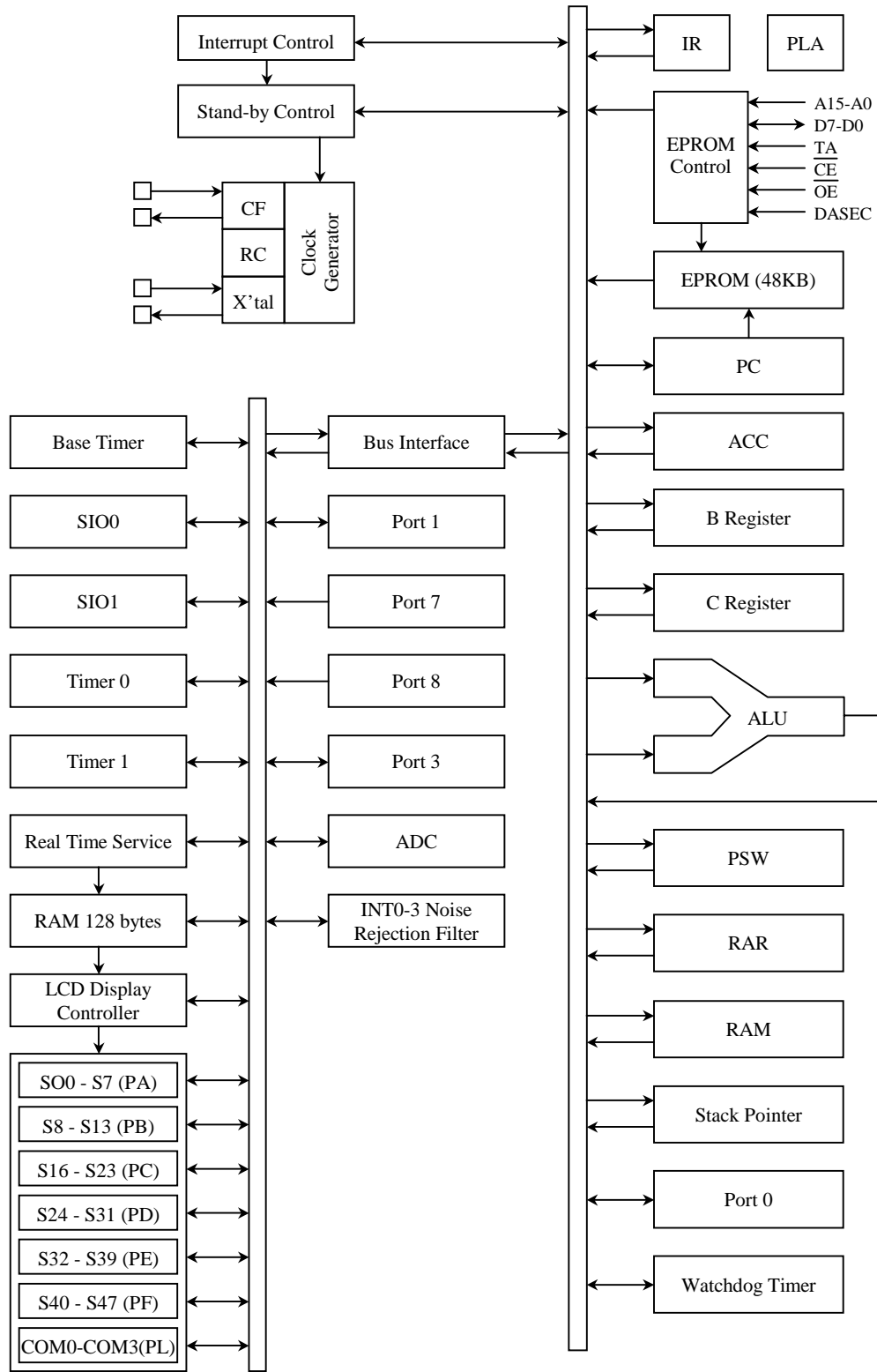
W86EP7248Q

Pin Assignment



SANYO : QFC100S

System Block Diagram



Pin name	I/O	Function description	Option	PROM mode
Port A (S0/PA0 – S7/PA7)	I/O	<ul style="list-style-type: none"> Segment output terminal for LCD display Can be used as a general input/output port 	-	Address input A0 to A7
Port B (S8/PB0 – S15/PB7)	I/O	<ul style="list-style-type: none"> Segment output terminal for LCD display Can be used as a general input/output port 	-	Address input A8 to A13
Port C (S16/PC0 – S23/PC7)	I/O	<ul style="list-style-type: none"> Segment output terminal for LCD display Can be used as a general input/output port 	-	PROM control signal input <ul style="list-style-type: none"> TA (*5) Address input <ul style="list-style-type: none"> A14, A15
Port D (S24/PD0 – S31/PD7)	I/O	<ul style="list-style-type: none"> Segment output terminal for LCD display Can be used as a general input/output port 	-	-
Port E (S32/PE0 – S39/PE7)	I/O	<ul style="list-style-type: none"> Segment output terminal for LCD display Can be used as a general input/output port 	-	-
Port F (S40/PF0 – S47/PF7)	I/O	<ul style="list-style-type: none"> Segment output terminal for LCD display Can be used as a general input/output port 	-	-
Port L (COM0/PL0 – COM3/PL3)	I/O	<ul style="list-style-type: none"> Common output terminal for LCD display Can be used as a general input port 	-	-
V1/PL4 – V3/PL6	I	<ul style="list-style-type: none"> Bias power terminal for LCD drive Can be used as a general input port 	-	-
RES	I	Reset pin	-	-
XT1/ $\overline{P74}$	I	<ul style="list-style-type: none"> Input pin for 32.768kHz crystal oscillation In case of non use, connect to VDD. Other function A general input port $\overline{P74}$ 	-	-
XT2/P75	O (I)	<ul style="list-style-type: none"> Output pin for 32.768kHz crystal oscillation In case of non use, should be left unconnected Other function A general input port P75 	-	-
CF1	I	Input pin for ceramic resonator oscillation	-	-
CF2	O	Output pin for ceramic resonator oscillation	-	-

* All of port options can be specified in a bit unit except the pull-up resistor of port 0.

[Notes] • The VDD1, VDD2 and VDD3 terminals must be shorted electrically each other.
 • The VSS1, VSS2 and VSS3 terminals must be shorted electrically each other.

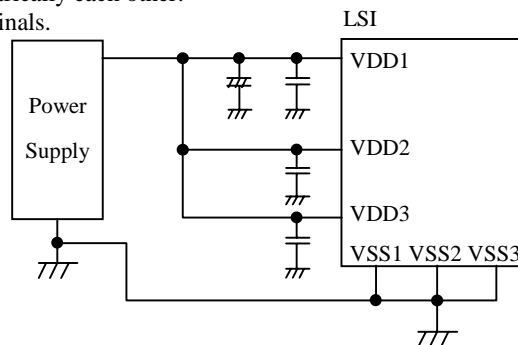
*1 Connect like the following figure to reduce noise into a VDD terminals.

*2 Memory select input for data security

*3 Output enable input

*4 Chip enable input

*5 TA → PROM control signal input



1. Absolute Maximum Ratings at Ta=25°C, VSS=VSS1=VSS2=VSS3=0V

Parameter	Symbol	Pins	Conditions	VDD[V]	Ratings			unit	
					min.	typ.	max.		
Supply voltage	VDDMAX	VDD1, VDD2 VDD3	VDD1=VDD2= VDD3		-0.3		+7.0	V	
LCD display voltage	VLCD	V1/PL6, V2/PL5 V3/PL4	VDD1=VDD2= VDD3		-0.3		VDD		
Input voltage	VI	•Ports 71, 72, 73 •Ports 74, 75 •Port 8, Port L •RES			-0.3		VDD+0.3		
Input/output voltage	VIO	•Port 0, 1, 3 •Port 70 •Ports A,B,C,D,E,F			-0.3		VDD+0.3		
High level output current	Peak output current	IOPH(1)	Ports 0, 1, 3	•CMOS output		-4		mA	
		IOPH(2)	Ports A,B,C,D,E,F	•At each pins		-4			
	Total output current	ΣIOAH(1)	Ports 0, 1, 32, 33, 34, 35	Total all pins		-38			
		ΣIOAH(2)	Ports 30, 31	Total all pins		-4			
		ΣIOAH(3)	Ports S0 to S25	Total all pins		-25			
		ΣIOAH(4)	Ports S26 to S47	Total all pins		-25			
Low level output current	Peak output current	IOPL(1)	Ports 0, 1, 3	At each pins			20		
		IOPL(2)	Ports A,B,C,D,E,F	At each pins			20		
		IOPL(3)	Port 70	At each pins			15		
	Total output current	ΣIOAL(1)	Ports 0, 1, 32, 33, 34, 35	Total all pins				50	
		ΣIOAL(2)	Ports 30, 31	Total all pins				20	
		ΣIOAL(3)	Ports S0 to S25	Total all pins				39	
		ΣIOAL(4)	Ports S26 to S47	Total all pins				33	
		ΣIOAL(5)	Port 70	Total all pins				10	
Maximum power dissipation	Pdmax	QFC100S	Ta=+10 to+40°C				515	mW	
Operating temperature range	Topr				+10		+40	°C	
Storage temperature range	Tstg				-55		+125		

LC86E7248

2. Recommended Operating Range at Ta=+10°C to +40°C, VSS =0V

Parameter	Symbol	Pins	Conditions	VDD[V]	Ratings			unit
					min.	typ.	max.	
Operating supply voltage range	VDD(1)	VDD1, VDD2, VDD3	0.98μs ≤ tCYC ≤ 400μs		4.5		6.0	V
	VDD(2)		3.9μs ≤ tCYC ≤ 400μs		2.5		6.0	
Hold voltage	VHD	VDD1, VDD2, VDD3	RAMs and the registers hold voltage at HOLD mode.		2.0		6.0	
Input high voltage	VIH(1)	Port 0	Output disable	4.5-6.0	0.4VDD +0.9		VDD	
	VIH(2)	•Ports 1, 3 •Ports A,B,C,D,E,F,L •Ports 72, 73	Output disable	4.5-6.0	0.75VDD		VDD	
	VIH(3)	•Port 70 Port input/interrupt •Port 71 •RES	Output N-channel Tr. OFF	4.5-6.0	0.75VDD		VDD	
	VIH(4)	Port 70 Watchdog timer	Output N-channel Tr. OFF	4.5-6.0	0.9VDD		VDD	
	VIH(5)	•Port 8	Output N-channel Tr. OFF	4.5-6.0	0.75VDD		VDD	
Input low voltage	VIL(1)	Port 0	Output disable	4.5-6.0	VSS		0.2VDD	
	VIL(2)	•Ports 1, 3 •Ports A,B,C,D,E,F,L •Ports 72, 73	Output disable	4.5-6.0	VSS		0.25VDD	
	VIL(3)	•Port 70 Port input/interrupt •Port 71 •RES	Output N-channel Tr. OFF	4.5-6.0	VSS		0.25VDD	
	VIL(4)	Port 70 Watchdog timer	Output N-channel Tr. OFF	4.5-6.0	VSS		0.8VDD -1.0	
	VIL(5)	•Port 8	Output N-channel Tr. OFF	4.5-6.0	VSS		0.25VDD	
Operation cycle time	tCYC			4.5-6.0	0.98		400	μs
				4.5-6.0	3.9		400	
Oscillation frequency range (Note 1)	FmCF(1)	CF1, CF2	•6MHz (ceramic resonator oscillation) •Refer to figure 1	4.5-6.0		6		MHz
	FmCF(2)	CF1, CF2	•3MHz (ceramic resonator oscillation) •Refer to figure 1	4.5-6.0		3		
	FmRC		RC oscillation	4.5-6.0	0.4	0.8	3.0	
	FsXtal	XT1, XT2	•32.768kHz (crystal oscillation) •Refer to figure 2	4.5-6.0		32.768		kHz
Oscillation stabilizing time period (Note 1)	tmsCF(1)	CF1, CF2	•6MHz (ceramic resonator oscillation) •Refer to figure 3	4.5-6.0				ms
	tmsCF(2)	CF1, CF2	•3MHz (ceramic resonator oscillation) •Refer to figure 3	4.5-6.0				
	tssXtal	XT1, XT2	•32.768kHz (crystal oscillation) •Refer to figure 3	4.5-6.0				s

(Note 1) The oscillation constant is shown on table 1 and table 2.

3. Electrical Characteristics at Ta=+10°C to +40°C, VSS=VSS1=VSS2=VSS3=0V

Parameter	Symbol	Pins	Conditions	VDD[V]	Ratings			unit
					min.	typ.	max.	
Input high current	I _{IH} (1)	•Port 1 •Port 0 without pull-up MOS Tr.	•Output disable •Pull-up MOS Tr. OFF. VIN=VDD (including the off-leak current of the output Tr.)	4.5-6.0			1	μA
	I _{IH} (2)	•Port 7 without pull-up MOS Tr. •Port 8	VIN=VDD	4.5-6.0			1	
	I _{IH} (3)	Port 3	VIN=VDD	4.5-6.0			1	
	I _{IH} (4)	Ports A,B,C,D,E,F,L	VIN=VDD	4.5-6.0			1	
	I _{IH} (5)	$\overline{\text{RES}}$	VIN=VDD	4.5-6.0			1	
	I _{IH} (6)	Ports $\overline{74}, 75$	Using as port VIN=VDD	4.5-6.0			1	
Input low current	I _{IL} (1)	•Port 1 •Port 0 without pull-up MOS Tr.	•Output disable •Pull-up MOS Tr. OFF. VIN=VSS (including the off-leak current of the output Tr.)	4.5-6.0	-1			V
	I _{IL} (2)	•Port 7 without pull-up MOS Tr. •Port 8	VIN=VSS	4.5-6.0	-1			
	I _{IL} (3)	Port 3	VIN=VSS	4.5-6.0	-1			
	I _{IL} (4)	Ports A,B,C,D,E,F,L	VIN=VSS	4.5-6.0	-1			
	I _{IL} (5)	$\overline{\text{RES}}$	VIN=VSS	4.5-6.0	-1			
	I _{IL} (6)	Ports $\overline{74}, 75$	Using as port VIN=VSS	4.5-6.0	-1			
Output high voltage	V _{OH} (1)	Ports 0,1 of CMOS output	I _{OH} =-1.0mA	4.5-6.0	VDD-1			V
	V _{OH} (2)	•Port 3 of CMOS output •Ports A,B,C,D,E,F of CMOS output	I _{OH} =-1.0mA	4.5-6.0	VDD-1			
Output low voltage	V _{OL} (1)	Ports 0, 1	I _{OL} =10mA	4.5-6.0			1.5	
	V _{OL} (2)		I _{OL} =1.6mA	4.5-6.0			0.4	
	V _{OL} (3)	Port 70	I _{OL} =1mA	4.5-6.0			0.4	
	V _{OL} (4)	Port 3	I _{OL} =10mA	4.5-6.0			1.5	
	V _{OL} (5)		I _{OL} =1.6mA	4.5-6.0			0.4	
	V _{OL} (6)	Ports A,B,C,D,E,F of CMOS output	I _{OL} =8mA	4.5-6.0			1.5	
	V _{OL} (7)		I _{OL} =1.6mA	4.5-6.0			0.4	

Continue.

LC86E7248

Parameter	Symbol	Pins	Conditions	Ratings			unit	
				VDD[V]	min.	typ.		max.
LCD output regulation	VODLS	S0 to S47	•Deference voltage to ideal value •VLCD, 2/3VLCD, 1/3VLCD	4.5-6.0	0		±0.2	V
	VODLC	COM0 to COM3	•Deference voltage to ideal value •VLCD, 2/3VLCD, 1/2VLCD, 1/3VLCD	4.5-6.0	0		±0.2	
LCD ladder resistor	RLCD(1)		Resistance at a ladder resistor	4.5-6.0		60		kΩ
	RLCD(2)		•Resistance at a ladder resistor •1/2R mode	4.5-6.0		30		
Pull-up MOS Tr. resistor	Rpu	•Ports 0, 1, 3 •Ports A,B,C,D,E,F •Ports 70, 71, 72, 73	VOH=0.9VDD	4.5-6.0	15	40	70	
Hysteresis voltage	VHIS	•Port 1 •Ports 70, 71, 72, 73 •RES	Output disable	4.5-6.0		0.1VDD		V
Pin capacitance	CP	All pins	•f=1MHz •Unmeasurement terminals for the input are set to VSS level. •Ta=25°C	4.5-6.0		10		pF

4. Serial Input / Output Characteristics at Ta=+10°C to +40°C, VSS=VSS1=VSS2=VSS3=0V

Parameter		Symbol	Pins	Conditions	Ratings			unit		
					VDD[V]	min.	typ.		max.	
Serial clock	Input clock	Cycle	tCKCY(1)	SCK0, SCK1	Refer to figure 5.	4.5-6.0	2			tCYC
		Low Level pulse width	tCKL(1)				1			
		High Level pulse width	tCKH(1)				1			
	Output clock	Cycle	tCKCY(2)	SCK0, SCK1	•Use pull-up resistor (1kΩ) when open drain output. •Refer to figure 5.	4.5-6.0	2			
		Low Level pulse width	tCKL(2)					1/2 tCKCY		
		High Level pulse width	tCKH(2)					1/2 tCKCY		
Serial input	Data set up time	tICK	•SI0,SI1 •SB0,SB1	•Data set-up to SCK0, 1 •Data hold from SCK0, 1 •Refer to figure 5.	4.5-6.0	0.1			μs	
	Data hold time	tCKI			4.5-6.0	0.1				
Serial output	Output delay time (Serial clock is external clock)	tCKO(1)	•SO0, SO1 •SB0, SB1	•Use pull-up resistor (1kΩ) when open drain output.	4.5-6.0			7/12tCYC +0.2		
	Output delay time (Serial clock is internal clock)	tCKO(2)		•Data hold from SCK0, 1 •Refer to figure 5.	4.5-6.0			1/3tCYC +0.2		

5. Pulse Input Conditions at Ta=+10°C to +40°C, VSS=VSS1=VSS2=VSS3=0V

Parameter	Symbol	Pins	Conditions	Ratings			unit
				VDD[V]	min.	typ.	
High/low level pulse width	tPIH(1) tPIL(1)	•INT0, INT1 •INT2/T0IN	•Interrupt acceptable •Timer0-countable	4.5-6.0	1		tCYC
	tPIH(2) tPIL(2)	INT3/T0IN (The noise rejection clock is selected to 1/1.)	•Interrupt acceptable •Timer0-countable	4.5-6.0	2		
	tPIH(3) tPIL(3)	INT3/T0IN (The noise rejection clock is selected to 1/16.)	•Interrupt acceptable •Timer0-countable	4.5-6.0	32		
	tPIH(4) tPIL(4)	INT3/T0IN (The noise rejection clock is selected to 1/64.)	•Interrupt acceptable •Timer0-countable	4.5-6.0	128		
	tPIL(5)	RES	Reset acceptable	4.5-6.0	200		μs

6. AD Converter Characteristics at Ta=+10°C to + 40°C, VSS=VSS1=VSS2=VSS3=0V

Parameter	Symbol	Pins	Conditions	Ratings			unit	
				VDD[V]	min.	typ.		max.
Resolution	NAD			4.5-6.0		8	bit	
Absolute precision (Note 2)	ETAD			4.5-6.0			±1.5 LSB	
Conversion time	tCAD		AD conversion time = 16 × tCYC (ADCR2=0) (Note 3)	4.5-6.0	15.68 (tCYC=0.98μs)	65.28 (tCYC=4.08μs)	μs	
			AD conversion time = 32 × tCYC (ADCR2=1) (Note 3)		31.36 (tCYC=0.98μs)	130.56 (tCYC=4.08μs)		
Analog input voltage range	VAIN	AN0 - AN7		4.5-6.0	VSS		VDD	V
Analog port input current	I _{AINH}		VAIN=VDD	4.5-6.0			1	μA
	I _{AINL}		VAIN=VSS	4.5-6.0	-1			

(Note 2) Absolute precision excepts quantizing error (±1/2 LSB).

(Note 3) The conversion time means the time from executing the AD conversion instruction to setting the complete digital conversion value to the register.

7. Current Dissipation Characteristics at Ta=+10°C to +40°C, VSS=VSS1=VSS2=VSS3=0V

Parameter	Symbol	Pins	Conditions	Ratings			unit	
				VDD[V]	min.	typ.		max.
Current dissipation during basic operation (Note 4)	IDDOP(1)	VDD1=VDD2=VDD3	<ul style="list-style-type: none"> •FmCF=6MHz Ceramic resonator oscillation •FsXtal=32.768kHz crystal oscillation •System clock : CF oscillation •Internal RC oscillation stops •1/1 divided 	4.5-6.0		15	30	mA
	IDDOP(2)		<ul style="list-style-type: none"> •FmCF=3MHz Ceramic resonator oscillation •FsXtal=32.768kHz crystal oscillation •System clock : CF oscillation •Internal RC oscillation stops •1/2 divided 	4.5-6.0		6	15	
	IDDOP(3)		<ul style="list-style-type: none"> •FmCF=0Hz (when oscillation stops) •FsXtal=32.768kHz crystal oscillation •System clock : RC oscillation •1/2 divided 	4.5-6.0		4	13	
	IDDOP(4)		<ul style="list-style-type: none"> •FmCF=0Hz (when oscillation stops) •FsXtal=32.768kHz crystal oscillation •System clock : crystal oscillation •Internal RC oscillation stops •1/2 divided 	4.5-6.0		4	9	

Continue.

LC86E7248

Parameter	Symbol	Pins	Conditions	Ratings			unit	
				VDD[V]	min.	typ.		max.
Current dissipation in HALT mode (Note 4)	IDDHALT(1)	VDD1= VDD2= VDD3	<ul style="list-style-type: none"> •HALT mode •FmCF=6MHz Ceramic resonator oscillation •FsXtal=32.768kHz crystal oscillation •System clock : CF oscillation •Internal RC oscillation stops •1/1 divided 	4.5-6.0		6	11	mA
	IDDHALT(2)		<ul style="list-style-type: none"> •HALT mode •FmCF=3MHz Ceramic resonator oscillation •FsXtal=32.768kHz crystal oscillation •System clock : CF oscillation •Internal RC oscillation stops •1/2 divided 	4.5-6.0		2.2	9	
	IDDHALT(3)		<ul style="list-style-type: none"> •HALT mode FmCF=0Hz (when oscillation stops) •FsXtal=32.768kHz crystal oscillation •System clock : RC oscillation •1/2 divided 	4.5-6.0		500	1700	μA
	IDDHALT(4)		<ul style="list-style-type: none"> •HALT mode FmCF=0Hz (when oscillation stops) •FsXtal=32.768kHz crystal oscillation •System clock : crystal oscillation •Internal RC oscillation stops •1/2 divided 	4.5-6.0		25	100	
	IDDHALT(5)							
Current dissipation in HOLD mode (Note 4)	IDDHOLD(1)	VDD1= VDD2= VDD3	HOLD mode	4.5-6.0		0.05	30	

(Note 4) The currents of the output transistors and the pull-up MOS transistors are ignored.

Table 1. Ceramic resonator oscillation guaranteed constant (main clock)

Oscillation type	Maker	Oscillator	C1	C2
6MHz ceramic resonator oscillation				
3MHz ceramic resonator oscillation				

* Both C1 and C2 must use K rank ($\pm 10\%$) and SL characteristics.

Table 2. Crystal oscillation recommended constant (sub clock)

Oscillation type	Maker	Oscillator	C3	C4	Rd
32.768kHz crystal oscillation					

* Both C3 and C4 must use J rank ($\pm 5\%$) and CH characteristics.

(It is about the application which is not in need of high precision. Use K rank ($\pm 10\%$) and SL characteristics.)

- (Notes)
- Since the circuit pattern affects the oscillation frequency, place the oscillation-related parts as close to the oscillation pins as possible with the shortest possible pattern length.
 - If you use other oscillators herein, we provide no guarantee for the characteristics.

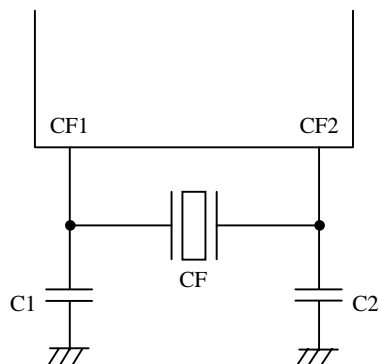


Figure 1 Ceramic oscillation circuit

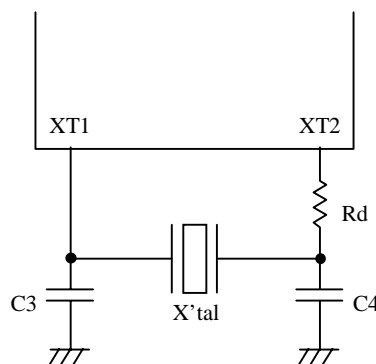


Figure 2 Crystal oscillation circuit

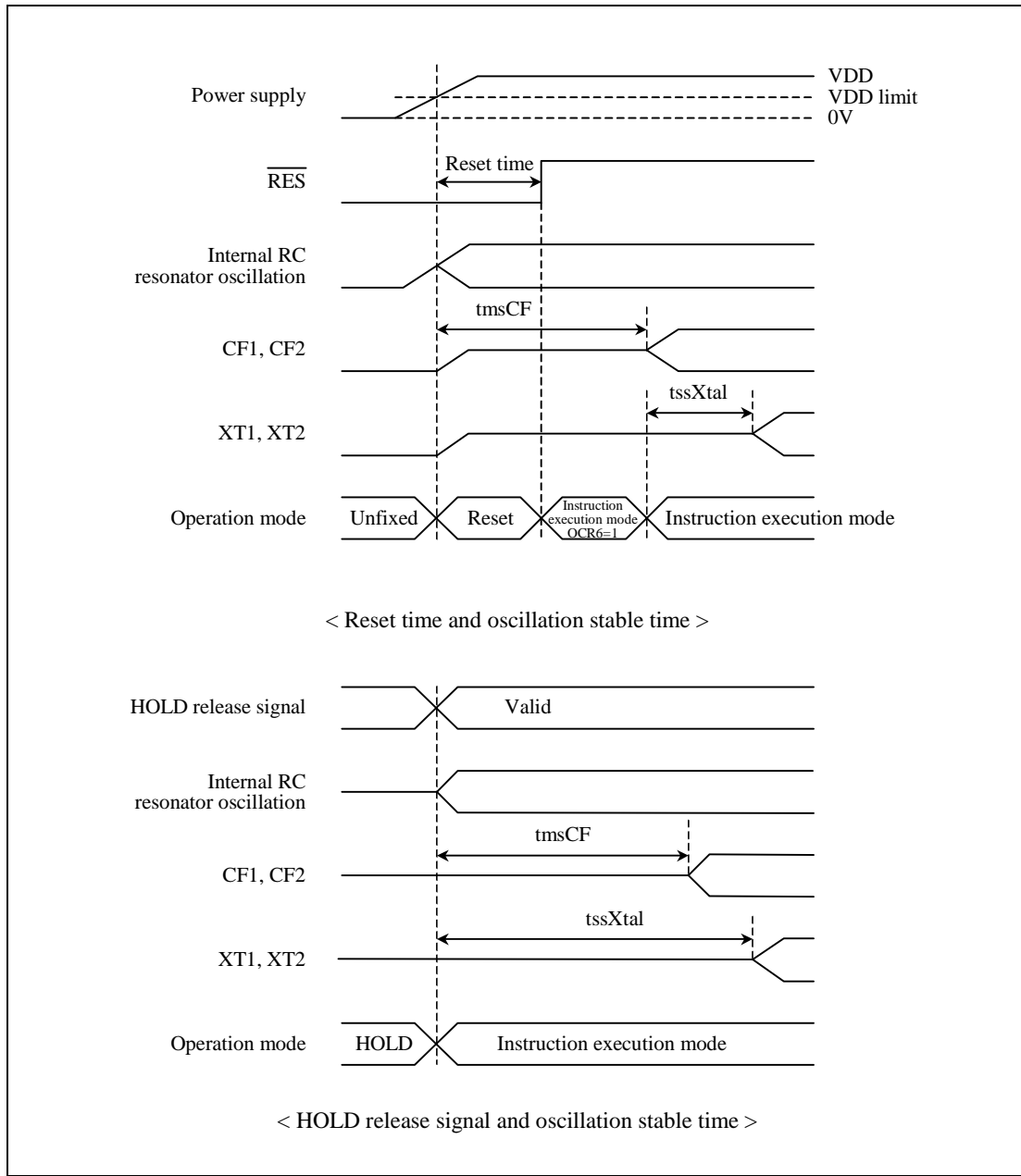
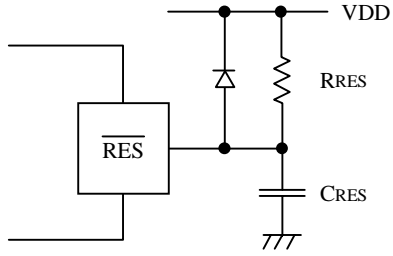


Figure 3 Oscillation stable time



(Note) Fix the value of CRES, RRES that is sure to reset until 200 μ s, after Power supply has been over inferior limit of supply voltage.

Figure 4 Reset circuit

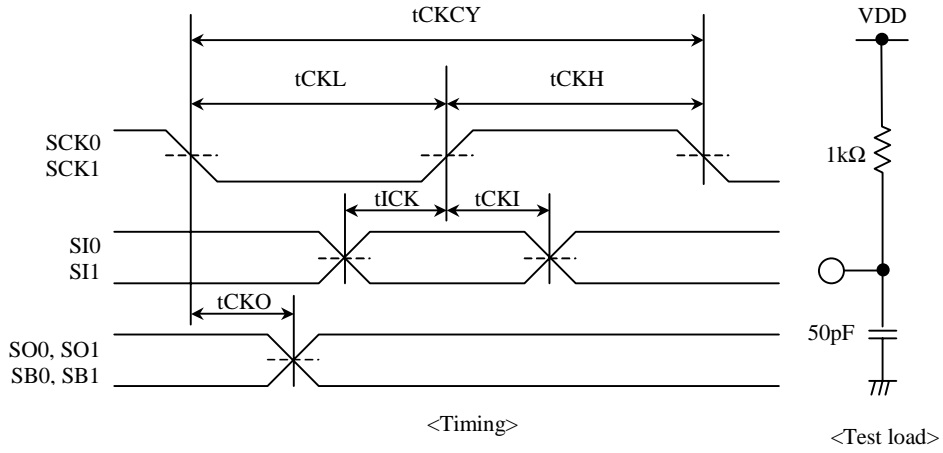
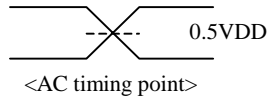


Figure 5 Serial input / output test condition

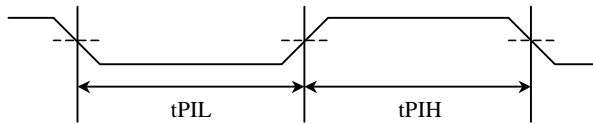


Figure 6 Pulse input timing condition

- Specifications of any and all SANYO products described or contained herein stipulate the performance, characteristics, and functions of the described products in the independent state, and are not guarantees of the performance, characteristics, and functions of the described products as mounted in the customer's products or equipment. To verify symptoms and states that cannot be evaluated in an independent device, the customer should always evaluate and test devices mounted in the customer's products or equipment.
- SANYO Electric Co., Ltd. strives to supply high-quality high-reliability products. However, any and all semiconductor products fail with some probability. It is possible that these probabilistic failures could give rise to accidents or events that could endanger human lives, that could give rise to smoke or fire, or that could cause damage to other property. When designing equipment, adopt safety measures so that these kinds of accidents or events cannot occur. Such measures include but are not limited to protective circuits and error prevention circuits for safe design, redundant design, and structural design.
- In the event that any or all SANYO products (including technical data, services) described or contained herein are controlled under any of applicable local export control laws and regulations, such products must not be exported without obtaining the export license from the authorities concerned in accordance with the above law.
- No part of this publication may be reproduced or transmitted in any form or by any means, electronic or mechanical, including photocopying and recording, or any information storage or retrieval system, or otherwise, without the prior written permission of SANYO Electric Co., Ltd.
- Any and all information described or contained herein are subject to change without notice due to product/technology improvement, etc. When designing equipment, refer to the "Delivery Specification" for the SANYO product that you intend to use.
- Information (including circuit diagrams and circuit parameters) herein is for example only ; it is not guaranteed for volume production. SANYO believes information herein is accurate and reliable, but no guarantees are made or implied regarding its use or any infringements of intellectual property rights or other rights of third parties.

This catalog provides information as of September, 2000. Specifications and information herein are subject to change without notice.