



No. 5147B

LA7840

Vertical Deflection Output Circuit

Overview

The LA7840 is a vertical deflection output IC for TVs and CRT displays with excellent image quality that use a BUS control system signal processing IC. This IC can drive the direct (even including a DC component) deflection yoke with the sawtooth wave output from the BUS control system signal processing IC. When used in conjunction with Sanyo's LA7615 series of BUS control system signal processing ICs for TVs, this IC can process all color television signal system functions through the BUS system. Because the maximum deflection current is 1.8 Ap-p, the LA7840 is suited for small and medium screen sets.

Features

- Low power dissipation due to built-in pump-up circuit
- Vertical output circuit
- Thermal protection circuit built in
- Excellent crossover characteristics
- DC coupling possible

Specifications

Maximum Ratings at Ta = 25 °C

Parameter	Symbol	Conditions	Ratings	Unit
Maximum supply voltage	V _{CC6} max		34	V
Output block supply voltage	V _{CC3} max		70	V
Deflection output current	I ₂ max		-1.5 to +1.5	Ap-o
Thermal resistance	θ _{j-c}		4.0	°C/W
Allowable power dissipation	P _d max	With arbitrarily large heat sink	9	W
Operating temperature	T _{opr}		-20 to +85	°C
Storage temperature	T _{stg}		-40 to +150	°C

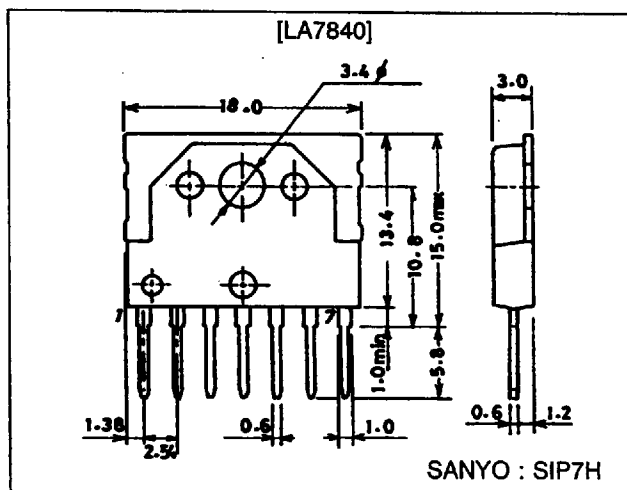
Operating Conditions at Ta = 25 °C

Parameter	Symbol	Conditions	Ratings	Unit
Recommended supply voltage	V _{CC6}		24	V
Operating supply voltage range	V _{CC6} op		16 to 33	V
Recommended deflection output current	I ₂ p-p		to 1.8	Ap-p

Package Dimensions

unit : mm

3075-SIP7H

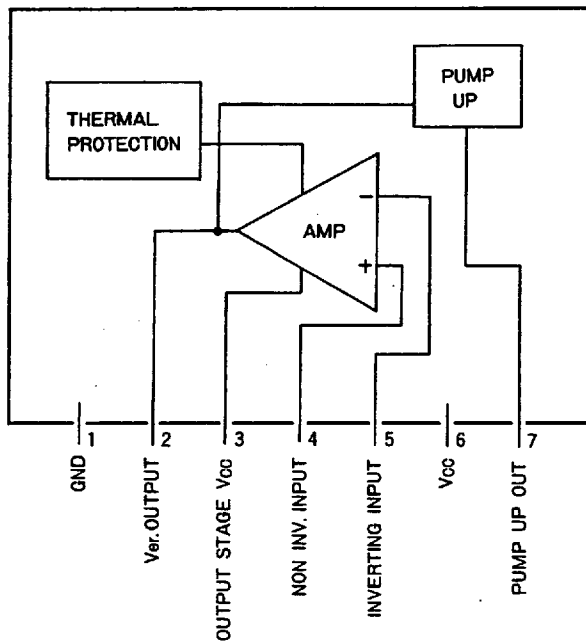


LA7840

Operating Characteristics at $T_a = 25\text{ }^\circ\text{C}$, $V_{CC6} = 24\text{ V}$

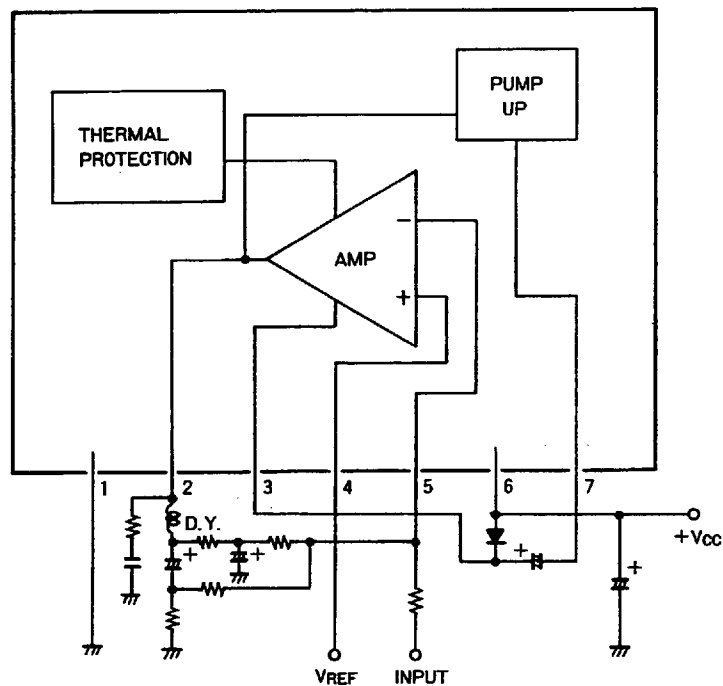
Parameter	Symbol	Conditions	min	typ	max	Unit
Pump-up charge saturation voltage	V_{S7-1}	$I_7 = 20\text{ mA}$			1.8	V
Pump-up discharge saturation voltage	V_{S6-7}	$I_7 = -0.9\text{ A}$			3.0	V
Deflection output saturation voltage (lower)	V_{S2-1}	$I_2 = 0.9\text{ A}$			1.3	V
Deflection output saturation voltage (upper)	V_{S3-2}	$I_2 = -0.9\text{ A}$			3.2	V
Idling current	I_{DL}		35		65	mA
Midpoint voltage	V_{MID}		11.0	12.0	13.0	V

Block Diagram



Sample Application Circuit

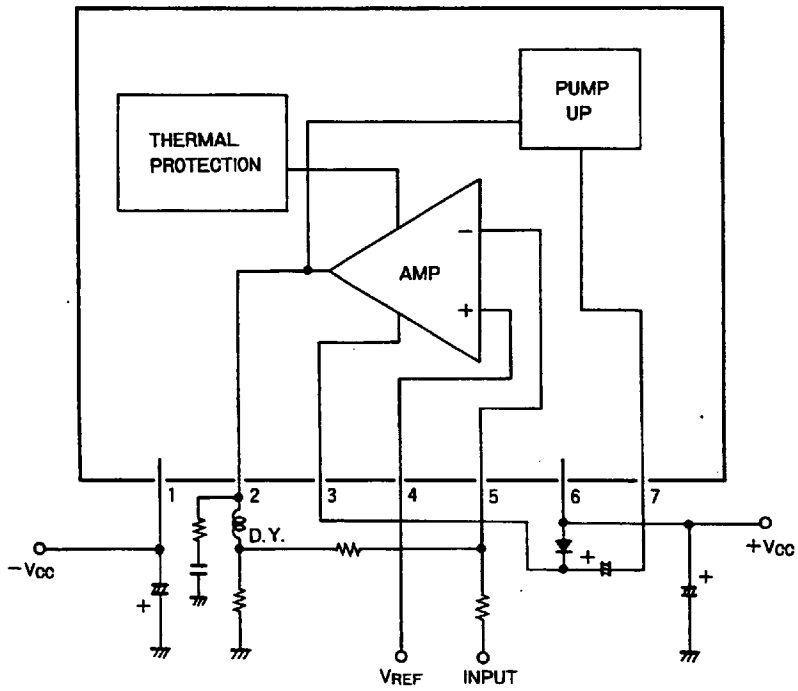
(Single power supply)



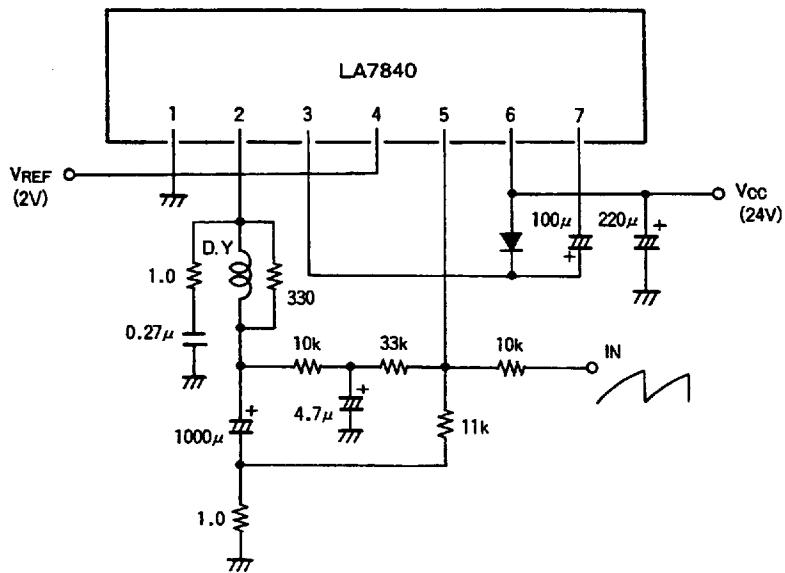
LA7840

Sample Application Circuit

(Double power supply)



Sample Application Circuit



Unit (resistance: Ω , capacitance: F)