



No. 5162A

LA6517, 6517M, 6518M

2-Output Power Operational Amplifier

Applications

The LA6517, LA6517M, and LA6518M are 2-output power operational amplifiers developed for use in consumer and industrial equipment.

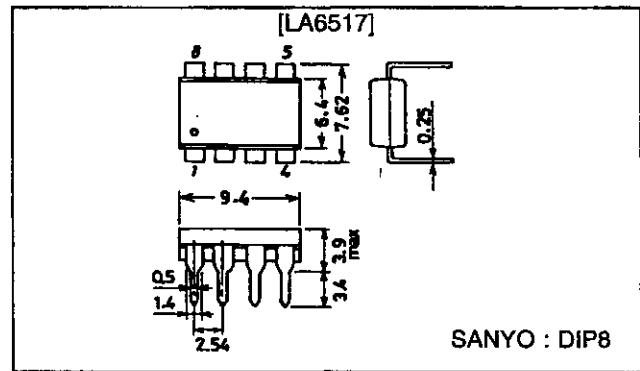
Features and Functions

- High output current ( $I_O \text{ max} = 0.5 \text{ A}$ ).
- High gain.
- Includes a current limiter.
- Wide operating voltage range ( $\pm 2$  to  $\pm 18 \text{ V}$ ).
- Single-supply operation possible (4 to 36 V).
- Thermal shutdown built in.

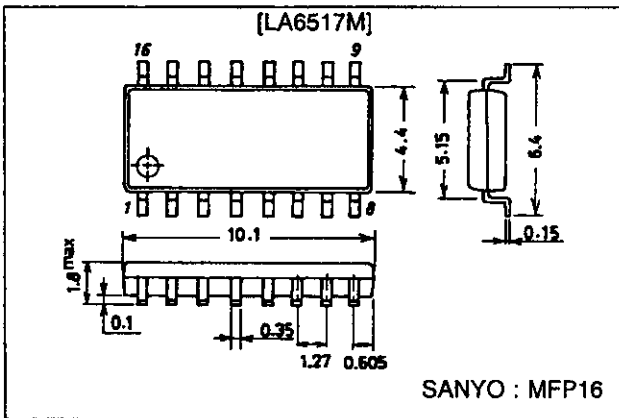
Package Dimensions

unit : mm

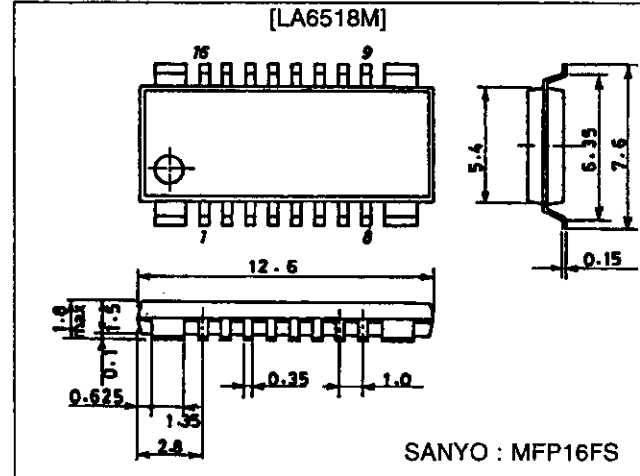
3001-DIP8



3035A-MFP16



3097-MFP16FS



# LA6517, 6517M, 6518M

## Specifications

### Maximum Ratings at $T_a = 25\text{ }^\circ\text{C}$

Parameter	Symbol	Conditions	Ratings	Unit
Maximum supply voltage	$V_{CC}/V_{EE}$		$\pm 18$	V
Differential input voltage	$V_{ID}$		30	V
Common-mode input voltage	$V_{IN}$		$\pm 15$	V
Allowable power dissipation	Pd max	LA6517	1000	mW
		LA6517M	350	mW
		LA6518M	700	mW
Operating temperature	Topr		-20 to +75	$^\circ\text{C}$
Storage temperature	Tstg		-55 to +150	$^\circ\text{C}$

### Operating Conditions at $T_a = 25\text{ }^\circ\text{C}$

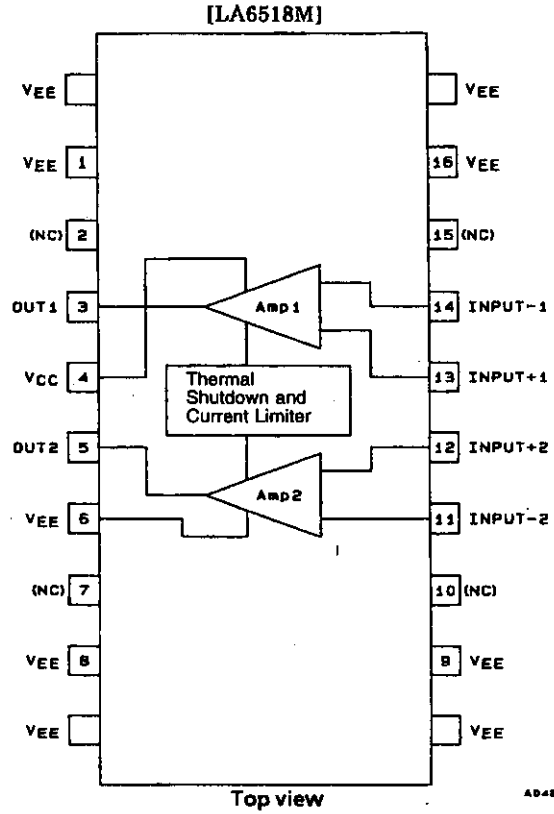
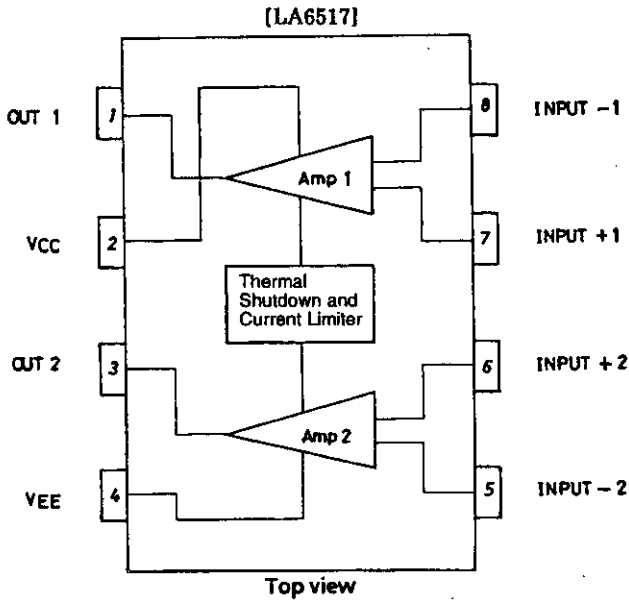
Parameter	Symbol	Conditions	Ratings	Unit
Recommended supply voltage	$V_{CC}/V_{EE}$		$\pm 2$ to $\pm 16$	V

### Electrical Characteristics at $T_a = 25\text{ }^\circ\text{C}$ , $V_{CC}/V_{EE} = \pm 15\text{ V}$

Parameter	Symbol	Conditions	min	typ	max	Unit
No-load current drain	$I_{CC}$			8	20	mA
Input offset voltage	$V_{IO}$	$R_S \leq 10\text{ k}\Omega$		2	7	mV
Input offset current	$I_{IO}$			10	100	nA
Input bias current	$I_B$			100	300	nA
Common-mode input voltage range	$V_{ICM}$	LA6517, 6517M	-15		+13	V
		LA6518M	-14		+13	V
Common-mode signal rejection ratio	CMRR		65	80		dB
Maximum output voltage	$V_O$	$R_L = 33\text{ }\Omega$	$\pm 11$	$\pm 12$		V
Voltage gain	$V_{GO}$			85		dB
Slew rate	SR	$G_V = 0, R_L = 33\text{ }\Omega, R = 10\text{ }\Omega, L = 0.1\text{ }\mu\text{F}$		0.15		V/ $\mu\text{s}$
Supply voltage rejection ratio	SVR			30	300	$\mu\text{V/V}$
Limiting current (built in)	$I_{SC}$			0.5		A

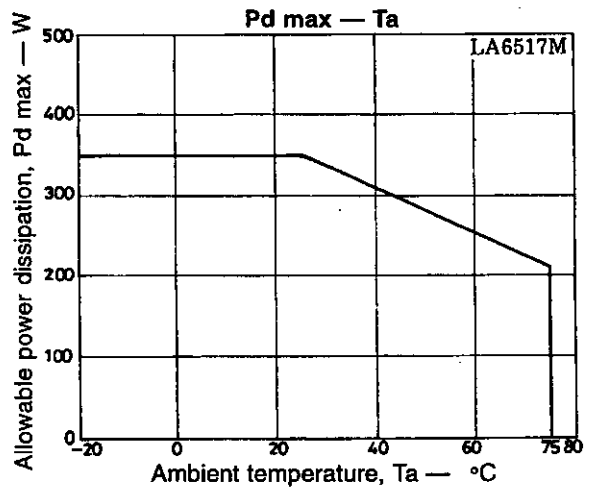
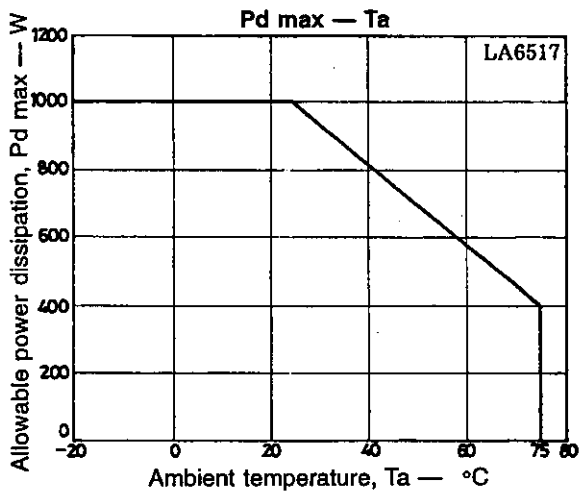
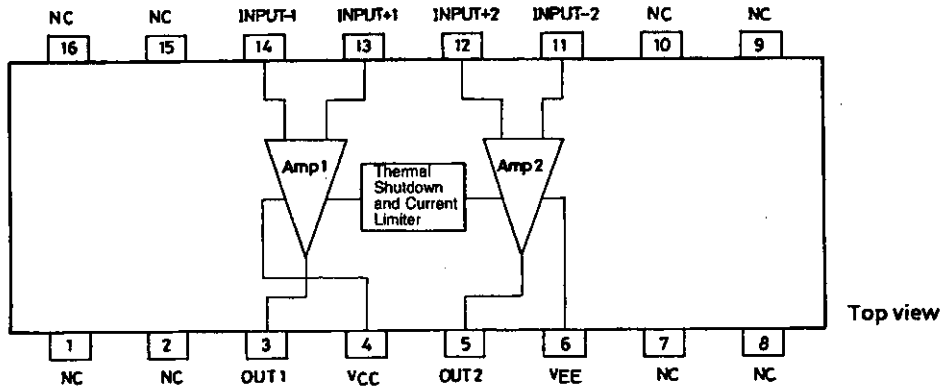
# LA6517, 6517M, 6518M

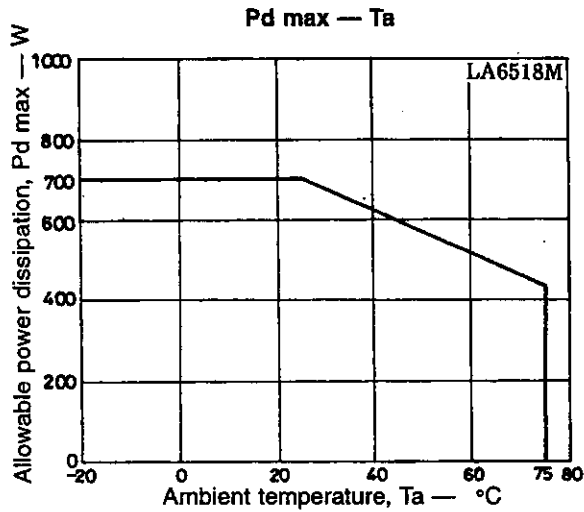
## Block Diagram and Pin Assignments



AD-828

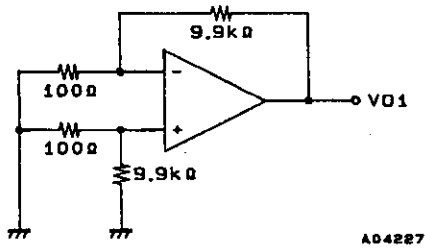
[LA6517M]





**Test Circuits**

1.  $V_{IO}$ , SVRR



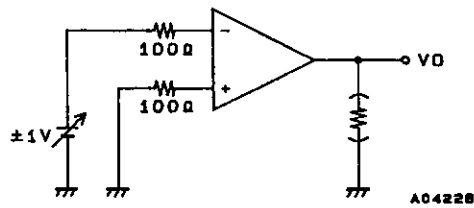
$V_{IO}: V_{CC}/V_{EE} = \pm 15V$

SVRR  $\begin{cases} V_{CC} = 15V, 5V \\ V_{EE} = -5V, -15V \end{cases}$

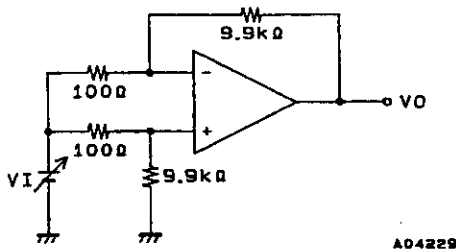
$V_{IO} = V_{O1}/100$

$SVR(+) = \left| \frac{\Delta V_{O1}}{100 \times 10V} \right|$   
 $SVR(-) = \left| \frac{\Delta V_{O1}}{100 \times 10V} \right|$

2.  $V_O$



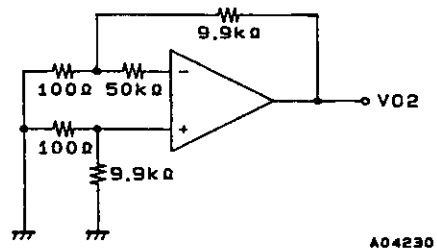
3. CMRR,  $V_{ICM}$



CMRR:  $V_i = \pm 7.5V$

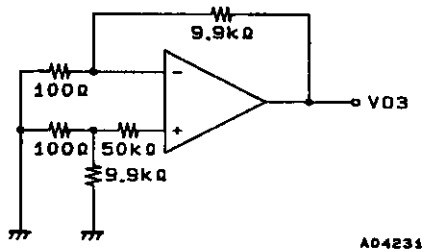
CMR =  $20 \log \frac{15 \times 100}{|\Delta V_O|}$

4.  $I_B(-)$



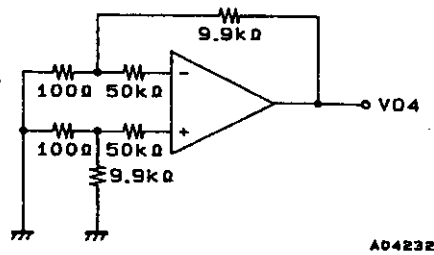
$I_B(-) = \frac{|V_{O2} - V_{O1}|}{50k\Omega \times 100}$

5.  $I_B(+)$



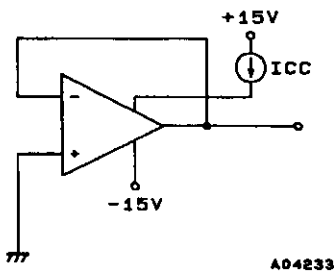
$$I_B(+) = \frac{|V_{O3} - V_{O1}|}{50k\Omega \times 100}$$

6.  $I_{IO}$



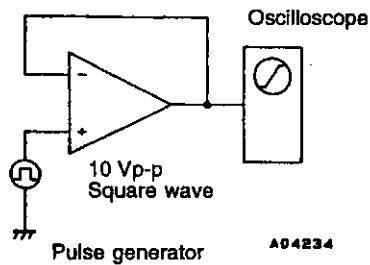
$$I_{IO} = \frac{|V_{O4} - V_{O1}|}{50k\Omega \times 100}$$

7.  $I_{CC}$



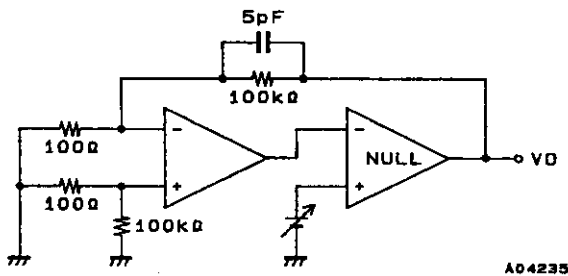
A04233

8. SR



A04234

9.  $V_{GO}$



A04235

$$V_{GO} = 20 \log \frac{1000 \times 20}{\Delta V_O}$$

- No products described or contained herein are intended for use in surgical implants, life-support systems, aerospace equipment, nuclear power control systems, vehicles, disaster/crime-prevention equipment and the like, the failure of which may directly or indirectly cause injury, death or property loss.
- Anyone purchasing any products described or contained herein for an above-mentioned use shall:
  - ① Accept full responsibility and indemnify and defend SANYO ELECTRIC CO., LTD., its affiliates, subsidiaries and distributors and all their officers and employees, jointly and severally, against any and all claims and litigation and all damages, cost and expenses associated with such use:
  - ② Not impose any responsibility for any fault or negligence which may be cited in any such claim or litigation on SANYO ELECTRIC CO., LTD., its affiliates, subsidiaries and distributors or any of their officers and employees jointly or severally.
- Information (including circuit diagrams and circuit parameters) herein is for example only; it is not guaranteed for volume production. SANYO believes information herein is accurate and reliable, but no guarantees are made or implied regarding its use or any infringements of intellectual property rights or other rights of third parties.

This catalog provides information as of February, 1996. Specifications and information herein are subject to change without notice.