



# LA2200, 2205

## ARI (Autofahrer Rundfunk Informationen) System for Car Radios - SK Type

The LA2200, 2205 have a signal detector and a signal control circuit for a traffic information system, now in effect or planned in Europe, and can make up the SK system. The LA2200, 2205 also have the BK, DK signal output pin for future system extension.

### Functions

- Check of 57kHz signal (PLL)
- Indicator lamp driving
- Audio signal muting
- VCO stopping
- AM detection of 57kHz signal (BK, DK)

### Operation

#### · SK Operation

- 1) Lamp indicator LED also usable controlled by 57kHz SK-signal.
- 2) AF signal controlled (muting) by 57kHz SK signal.
  - when 57kHz signal exists : A signal sounds.
  - when 57kHz signal does not exist : A signal is muted.
- 3) Stopping function 2) shown above.

Whether 57kHz signal exists or not, AF signal sounds and only lamp turns on or off.

In addition to these useful functions, the LA2200, 2205 have 57kHz AF detector (BK, DK signals output) for future system extension.

#### · Lamp Turn-on Level

Selectable (2mV min.) depending on the ratio of the resistance of pin 3 load or resonance resistance and that of pin 4.

#### · Muting Operation

When 57kHz signal does not exist at the SK operation mode, AF signal is muted (46dB typ).

When pin 9 is grounded, signal is thru whether 57kHz signal exists or not.

#### · VCO Stop

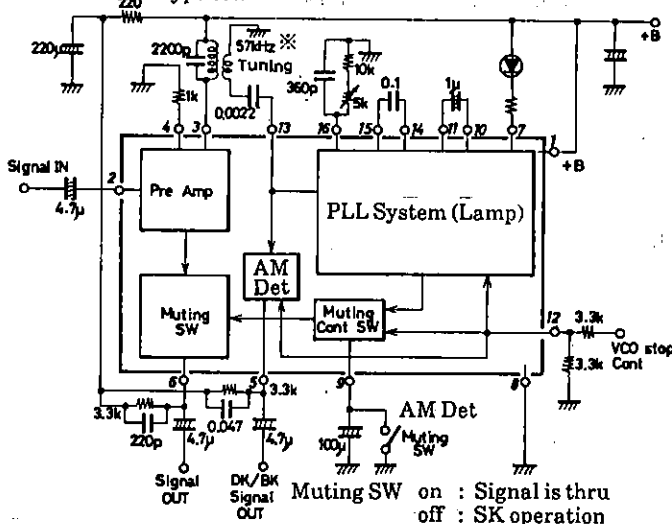
When a voltage (+6V max) is applied to frequency check terminal (pin 12), PLL operation stops and signal is thru.

#### · BK, DK Output

57kHz AM detector circuit makes output of BK and DK signals. Detecting operation stops when VCO stops.

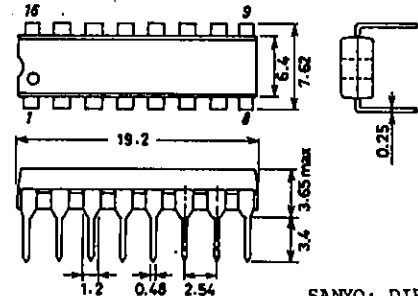
### Equivalent Circuit Block Diagram

※ A resistor can be used of resonant circuit in low-cost type set.



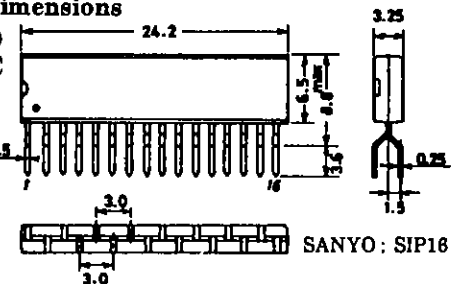
Unit (resistance: Ω, capacitance: F)

### Package Dimensions 3006B-D16IC [LA2200] (unit: mm)



### Package Dimensions (unit: mm)

3020A-S16IC [LA2205]



**SANYO Electric Co., Ltd. Semiconductor Business Headquarters**

TOKYO OFFICE Tokyo Bldg., 1-10, 1 Chome, Ueno, Taito-ku, TOKYO, 110 JAPAN

2051MO (KOTO)/D227KI/4125KI/D162KI, TS No.1216-1/8

# LA2200, 2205

## Maximum Ratings at $T_a = 25^\circ\text{C}$

Parameter	Symbol	Value	Unit
Maximum Supply Voltage	$V_{CC \text{ max}}$	$V_{1-8}$	16 V
		$V_{7-8}$	16 V
		$V_{3-4}$	16 V
Lamp Driving Current	$I_L$	60	mA
Allowable Power Dissipation	$P_d \text{ max}$	$T_a \leq 70^\circ\text{C}$	490 mW
Operating Temperature	$T_{opg}$	-20 to +70	$^\circ\text{C}$
Storage Temperature	$T_{stg}$	-40 to +125	$^\circ\text{C}$

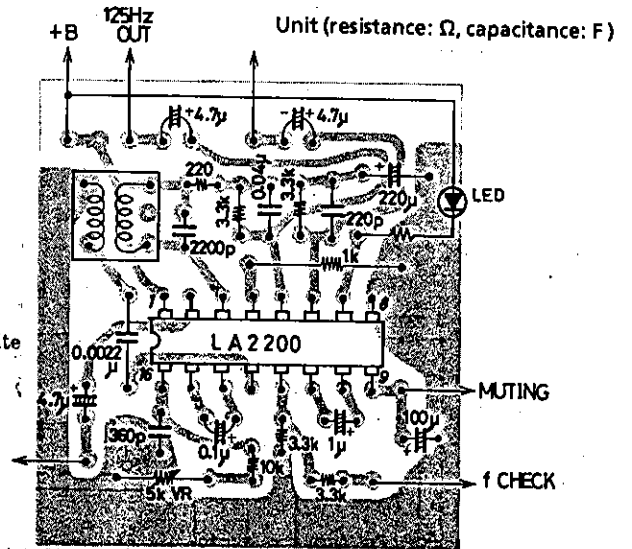
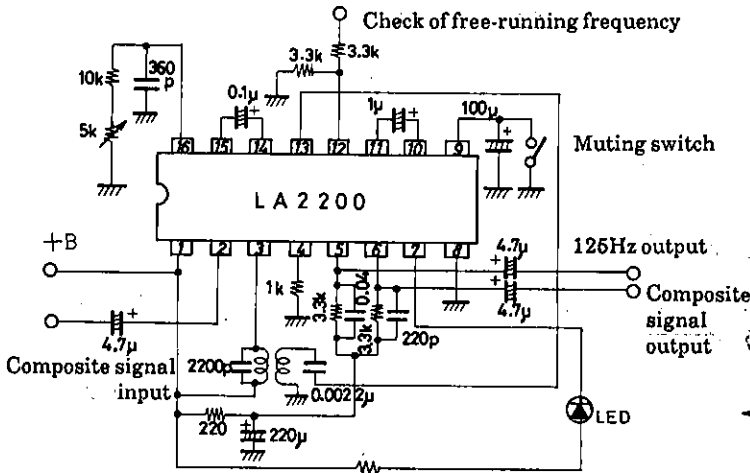
## Recommended Operating Conditions at $T_a = 25^\circ\text{C}$

Parameter	Symbol	Value	Unit
Recommended Supply Voltage	$V_{CC}$	6.5 to 12.0	V
Input Signal Voltage	$v_i$	200 to 300	mV
		$v_L + (6 \text{ to } 10)$	dB
Lamp Driving Current	$I_L$	Pin7	0 to 40 mA

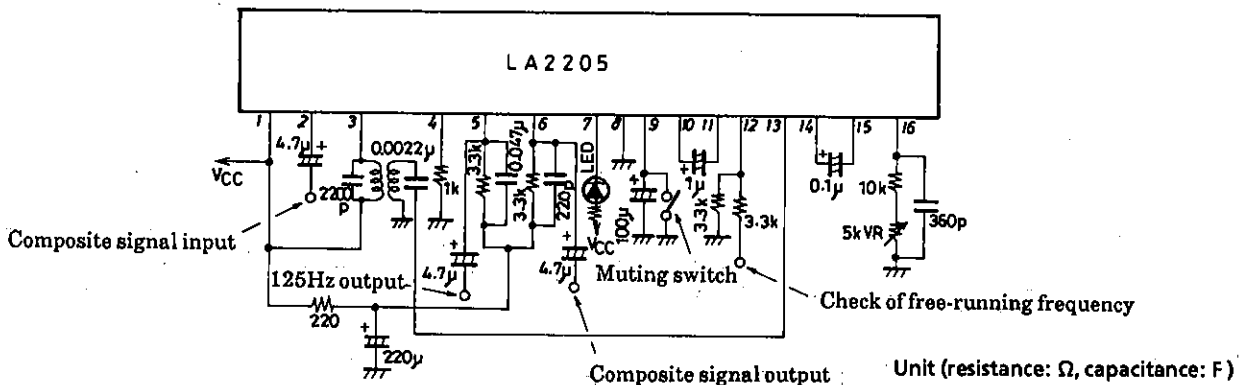
## Operating Characteristics at $T_a = 25^\circ\text{C}$ , $V_{CC} = 12\text{V}$ , $L + R = 85\%$ , 19kHz pilot = 10%, 57kHz pilot = 5%, $f = 1\text{kHz}$

Parameter	Symbol	Condition	min	typ	max	Unit
Quiescent Current	$I_{cco}$			20	27	mA
Input Resistance	$r_i$			40k		$\Omega$
Lamp Turn-on Level	$V_L$	$f = 57\text{kHz}$	3.5	5.0	7.0	mV
Hysteresis	$h_y$	$f = 57\text{kHz}$			6	dB
Capture Range	C.R.	$f = 57\text{kHz}$ , $v_i = 10\text{mV}$		$\pm 1.5$		%
Total Harmonic Distortion	THD	$v_i = 200\text{mV}$ , $f = 1\text{kHz}$		0.2	0.5	%
Output Level	$v_{oAF}$	$v_i = 200\text{mV}$ , $f = 1\text{kHz}$	135	191	270	mV
Dynamic Range	-	$v_i = 500\text{mV}$ , $f = 1\text{kHz}$			1.0	%
DK Output	$v_{oDK}$	$v_i 57\text{kHz} = 10\text{mV}$ , 125kHz-30%mod	6.4	9.0	12.7	mV
Signal Attenuation	-	$v_i = 200\text{mV}$ , $f = 1\text{kHz}$	-40	-46		dB

### Sample Application Circuit : LA2200



### Sample Application Circuit : LA2205



**Operation of LA2200, 2205**

The operation mode of the LA2200, 2205 is divided into ARI mode and other modes. These modes are controlled by the presence or absence of 57kHz signal, control terminal supply voltage and external muting switch. These are shown below :

Condition \ Modes		Modes					Pin No.	
		AM	Normal FM	ARI (FM)				
Control state of VCO		1 (stop)	1 (stop)	0 (oper)	0 (oper)	0 (oper)	0 (oper)	12
57kHz signal		-	-	no	no	yes	yes	2
External Muting SW		-	-	off	on	off	on	9
Output Signal	AF	yes	yes	no	yes	yes	yes	6
	BK, DK	no	no	no	no	yes	yes	5
Lamp Indication		off	off	off	off	no	no	7

- Notes
- 1 : A certain fixed voltage is applied.
  - 0 : The voltage applied to obtain "1" level is turned off.
  - : Not related to the presence or absence.
  - stop : Operation stops.
  - oper : Operates.

Priority of operation mode is as follows :

For output signal :

- In the presence of AF signal, Control (pin12) > external muting switch > 57kHz signal
- In the absence of BK, DK signal, Control (pin12) > 57kHz signal
- Not related to external muting switch.

For lamp indication :

- Lamp off Control (pin12) > 57kHz signal
- Not related to external muting switch.

Description of symbol

- A > B A is prior to B.

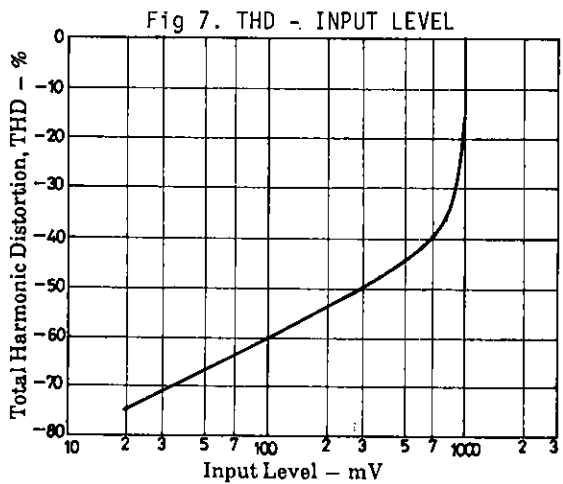
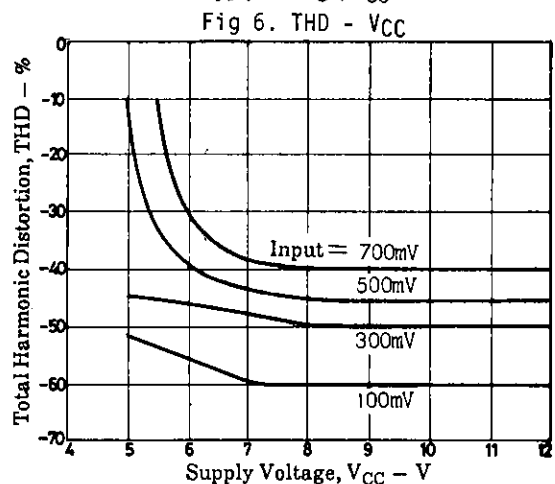
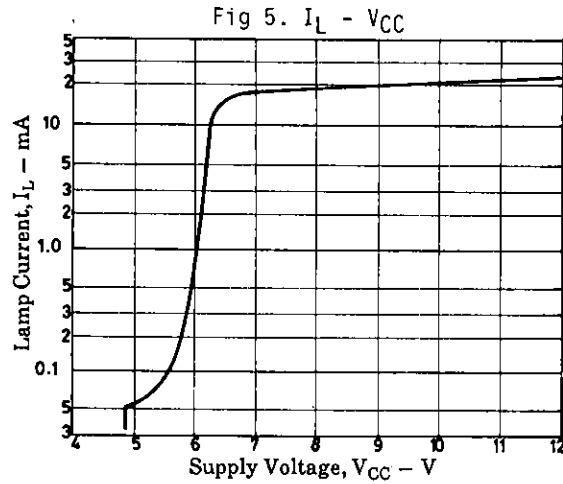
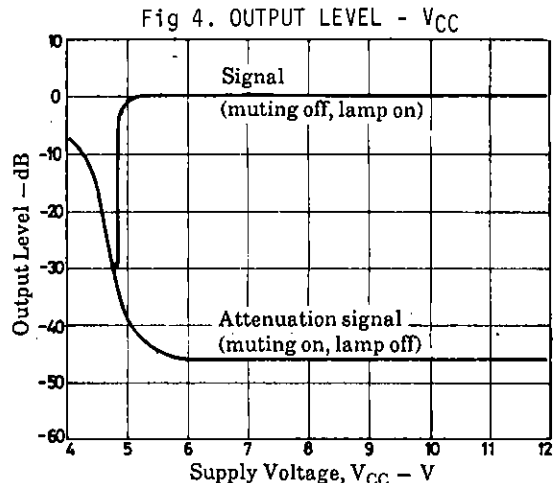
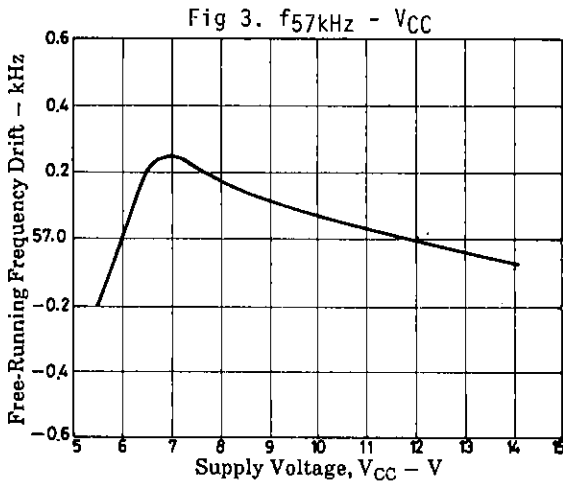
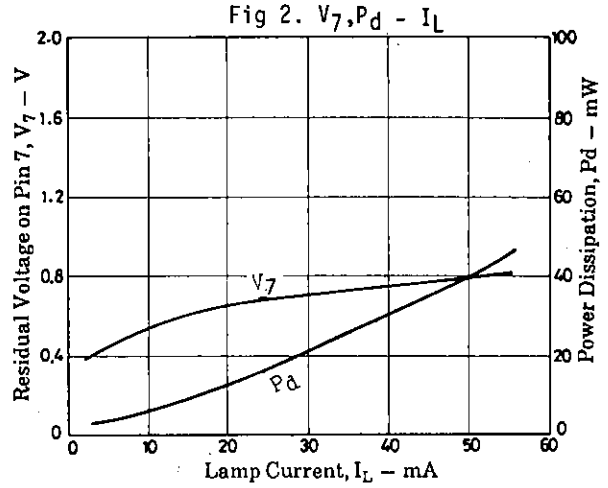
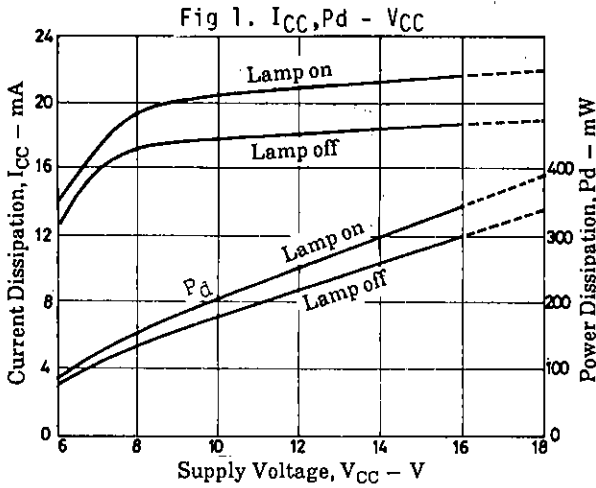
**Notes on Use of LA2200, 2205**

**1. Voltage Characteristics**

- Fig.1 shows the current dissipation, power dissipation vs. supply voltage characteristics. Fig.2 shows the residual voltage (pin 7), power dissipation vs. lamp current characteristics.
- Since the LA2200, 2205 have a PLL system, the power dissipation should not be increased excessively by raising V<sub>CC</sub> (voltage on pin 1) to decrease VCO drift at the switch-ON mode.
- Fig.3 shows the VCO free-running frequency drift vs. supply voltage characteristic. With 57kHz centered, 0.285kHz and 0.57kHz represent 0.5% and 1%, respectively. These values are referred to for setting a capture range mentioned below.
- Fig.4 shows the output signal, muting attenuation vs. supply voltage characteristic. Fig.5 shows the lamp current vs. supply voltage characteristic. Figs.6,7 show the distortion in dB with the input signal as a parameter. The minimum operating voltage, which is given in these graphs as an example only, depends on the values of the load resistance and input signal. Refer to the setting of output level mentioned below.

**2. Setting of Tuning-on Level**

- It is possible to use a resonant coil so that operation is available under conditions where S/N is not so good. It is also possible to use a resistor in low-cost sets.
- The lamp turning-on level depends on the value of resistor connected to pin 4, pin 3, or the design of the resonant coil.



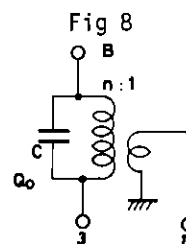
Turning-on level is roughly given by the following formula :

$$V_1(57) = 21 \times n \times \frac{R_E}{\frac{Q_0}{\omega C} // R_i n^2}$$

- where  $V_1(57)$  : Level at 57kHz (rms)  
 $R_E$  : Impedance between pin 4 and ground (k $\Omega$ )  
 $R_i$  : 5k $\Omega$  (input impedance at pin 13)  
 $n$  : Turn ratio of coil  
 $Q_0$  : Unloaded Q  
 $C$  : Resonant capacity  
 $\omega$  :  $= 2\pi f, f=57\text{kHz}$   
 $//$  : Parallel calculation

Example : When  $Q_0=50, C=2200\text{pF}, n=3, R_E=1\text{k}\Omega$

$$V_1(57) = 21 \times 3 \times \frac{1}{65 // 45} \doteq 2.4\text{mV}$$



When the pin 3 resistive load is used, this formula is also used in the same way.

### 3. Setting of Output Level

#### AF output at Pin 6

- AF output gain becomes 0dB typ at 3k $\Omega$ . Similarly +6dB at 6k $\Omega$ , +10dB at 9k $\Omega$ , -6dB at 1.5k $\Omega$ , -10dB at 1k $\Omega$ .
- Output level (input level) is closely related to supply voltage. This relation is in Fig.9 with  $V_{CC}$  as a parameter.
- Capacitor 220pF paralleled to load resistor at pin 6 attenuates an VCO leak of 228kHz within IC.

#### BK, DK Output at Pin 5

Fig.11 shows the relation between output level (input level) and supply voltage. Fig.12 shows the relation between load resistance and gain which is a ratio of 57kHz level at pin 13 to output (BK, DK) at pin 5. Overall gain (pin 2 to 5) is obtained using a gain (pin 2 to 13) and a gain (pin 13 to 5, Fig.12). Therefore, BK, DK output level is defined by 57kHz input level at pin 2. Gain (pin 2 to 5) is roughly obtained by the following formula.

$$VG_{2-5} = 20 \log \left\{ \frac{\frac{Q_0}{\omega C} // R_i n^2 \times \frac{1}{n}}{R_E} \right\}$$

Example : When  $Q_0=50, C=2200\text{pF}, n=3, R_E=1\text{k}\Omega$ ,

$$VG_{2-5} = 20 \log \left\{ \frac{65 // 45}{1} \times \frac{1}{3} \right\} = 18.95\text{dB}$$

Assuming 57kHz input level at pin 2 is 10mV, load resistance is 3.3k $\Omega$ ,

For DK 18.95 - 10 = 8.95dB (-10dB because of 30% mod.)

For BK 18.95 - 4 = 14.95dB (-4dB because of 60% mod.)

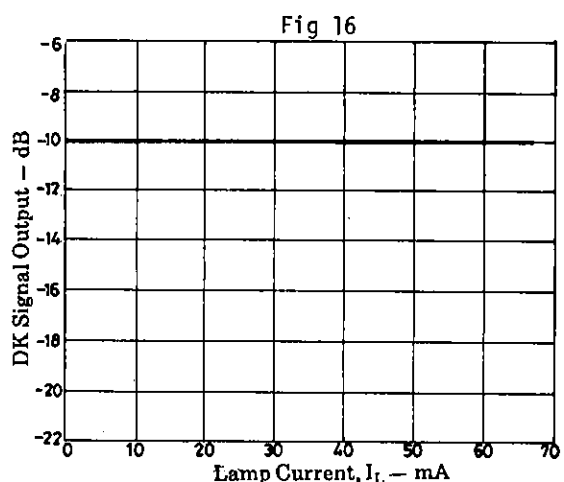
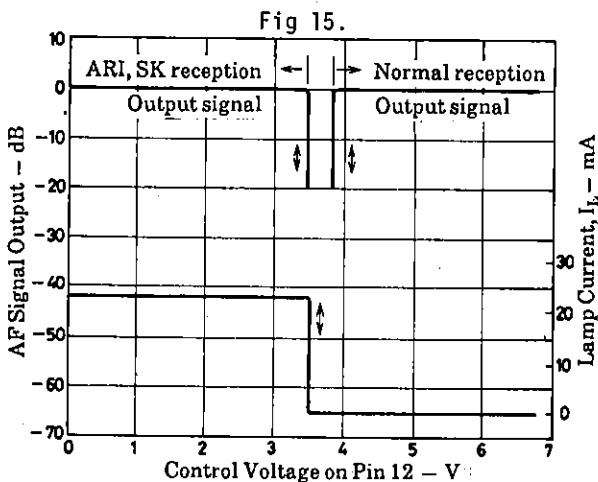
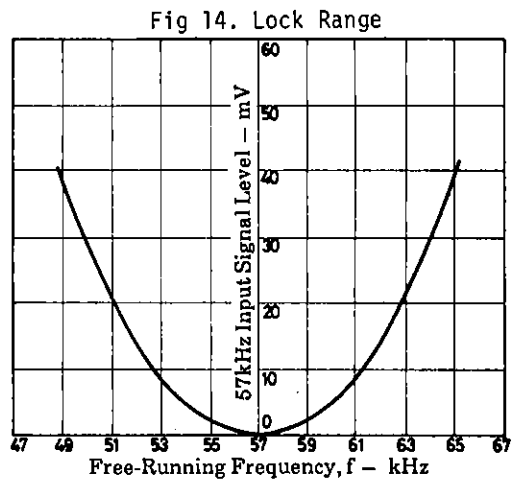
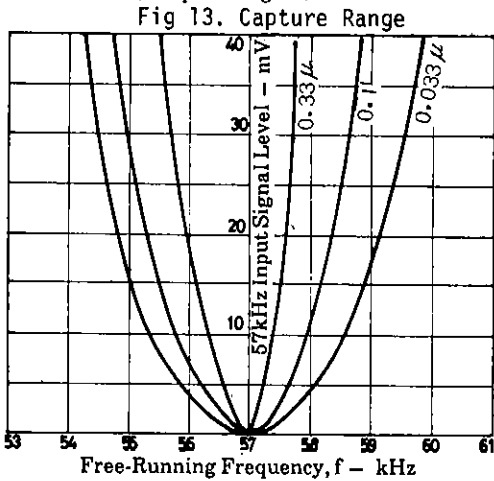
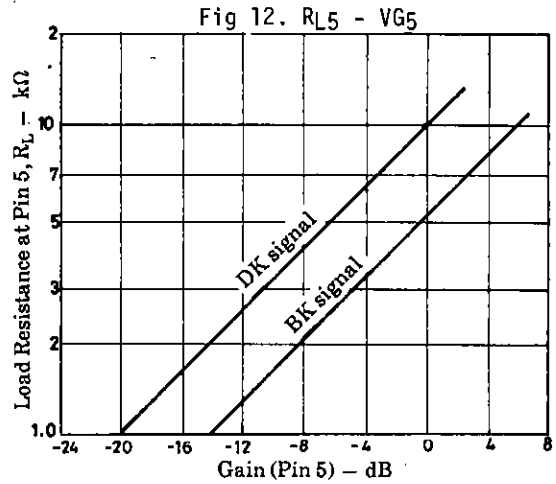
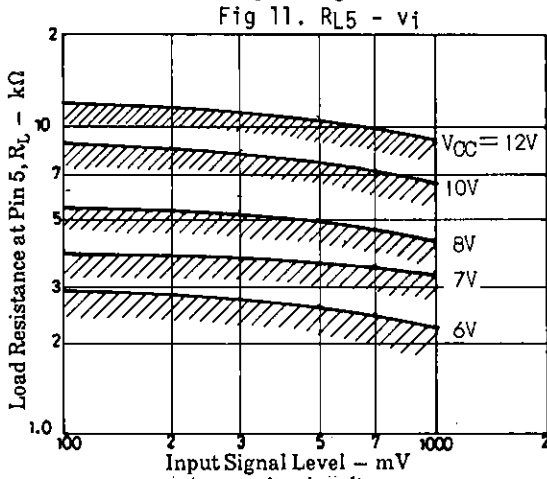
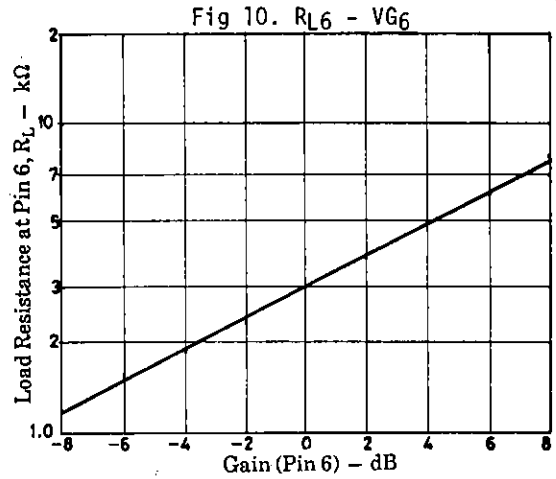
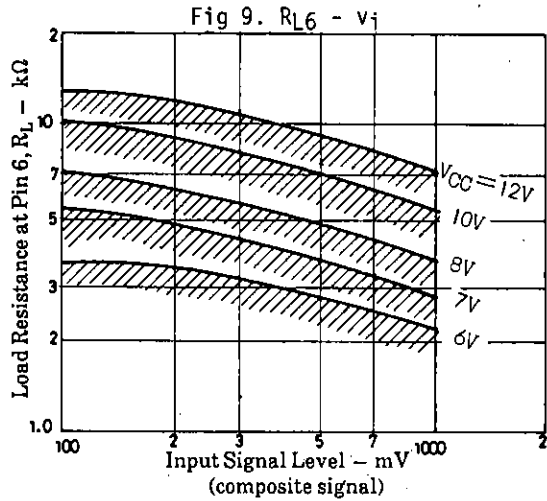
That is, DK, BK outputs are 28mV, 56mV respectively.

### 4. Capture Range

Capture range and lock range are shown in Figs.13 and 14 respectively when lamp-on level is 3 mV. Parameter is C between pin 14 and 15. C of about 0.003 to 0.1 $\mu\text{F}$  is recommended. For other lamp-on level than 3mV, that is, for P [ mV ], convert the vertical line into P/3.

### 5. Control Voltage on Control Pin

Pin 12 has 2 functions. One is for frequency checking. For the other, when a certain voltage is applied VCO, etc. stop and the normal reception mode is entered. This control voltage is set to be a value from 4.5 to 6.0V.



6. Signal Interference

Output pin of open collector type causes signal interference to occur depending on the way or value of decoupling.

6-1 Interference of output at pin 3 to pins 5,6

This phenomenon occurs when decoupling is provided for pins 3,5, and 6 simultaneously.

Interference (attenuation) level in dB is defined as :

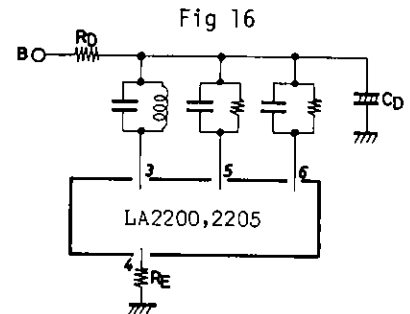
$$AFL_{3-5} = 20 \log \left\{ \frac{R_D // \frac{1}{2\pi f_{AF} C_D}}{R_E} \right\}$$

6-2 Interference (attenuation) level in dB of output pin 5 to 6

$$AFL_{5-6} = 20 \log \left\{ \frac{R_D // \frac{1}{2\pi f_{BK/DK} C}}{2K} \right\}$$

Interference level of output pin 6 to 5 is :

$$AFL_{6-5} = 20 \log \left\{ \frac{R_D // \frac{1}{2\pi f_{AF} C}}{3K} \right\}$$



Each signal's attenuation in dB is given as mentioned above. To prevent actual interference, it must be considered that levels of AF signal and BK, DK signal differ extremely. Too much interference causes undesirable phenomena to occur as shown below.

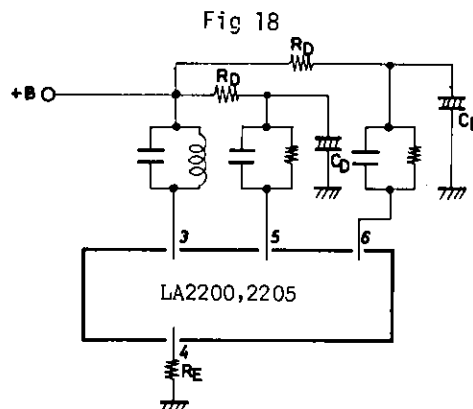
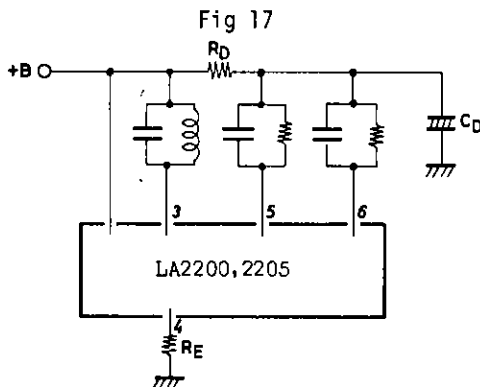
AFL<sub>3-6</sub> : Less muting attenuation at low frequencies

AFL<sub>5-6</sub> : BK, DK signal sounds through a speaker.

AFL<sub>3-5</sub> : Misoperation in BK, DK system may occur when AF signal contains the same

AFL<sub>6-5</sub> frequency as BK, DK signal.

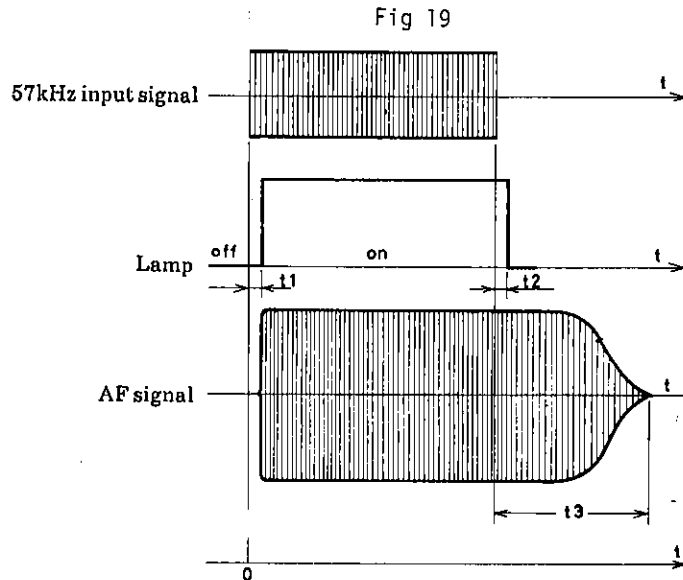
To avoid these interferences, the following measures are recommended.



The constants in the Application Circuit are fixed with the above-mentioned considered.

7. Fade-in and Fade-out Time of AF Signal

The LA2200, 2205 provide the muting function for selecting SK station only to facilitate tuning to SK station. Signal appears fast and disappear slowly for easiness of tuning and car stereo use, which is shown in Fig.19.  $t_1$ ,  $t_3$  are taken as fade-in time (attack time), fade-out time, respectively.  $t_1$  depends mainly on the capacitor across pins 10 and 11. Increasing the capacitor value makes  $t_1$  longer.  $t_2$  depends on the capacitor across pin 9 and GND. Increasing the capacitor value makes  $t_3$  longer.  $t_1$  and  $t_3$  can be varied almost independently. The capacitor across pin 9 and GND is also effective against malfunction which may occur at the weak signal mode. If the 57kHz signal is affected considerably by noise at the weak signal mode and output signal appears or disappears very frequently, the value of the capacitor across pin 9 and GND should be made a little larger.



### 8. 57kHz Resonant Coil Specification

Kohrin Giken No.17-1114-01 (trial number)

Center frequency	57kHz
Resonant capacitor	2200pF
Qo	53 ± 15%
Number of turns 1-3	300 1/2
4-6	120 1/2

- No products described or contained herein are intended for use in surgical implants, life-support systems, aerospace equipment, nuclear power control systems, vehicles, disaster/crime-prevention equipment and the like, the failure of which may directly or indirectly cause injury, death or property loss.
- Anyone purchasing any products described or contained herein for an above-mentioned use shall:
  - ① Accept full responsibility and indemnify and defend SANYO ELECTRIC CO., LTD., its affiliates, subsidiaries and distributors and all their officers and employees, jointly and severally, against any and all claims and litigation and all damages, cost and expenses associated with such use:
  - ② Not impose any responsibility for any fault or negligence which may be cited in any such claim or litigation on SANYO ELECTRIC CO., LTD., its affiliates, subsidiaries and distributors or any of their officers and employees jointly or severally.
- Information (including circuit diagrams and circuit parameters) herein is for example only; it is not guaranteed for volume production. SANYO believes information herein is accurate and reliable, but no guarantees are made or implied regarding its use or any infringements of intellectual property rights or other rights of third parties.