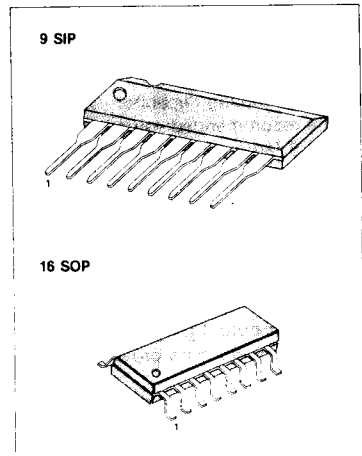


FM STEREO MULTIPLEX DECODER

The KA2264 is a monolithic integrated circuit consisting of a phase locked loop FM stereo demodulator. It is designed for use in 3V radio cassette recorders.

FEATURES

- Low voltage operation: $V_{CC} = 1.8V \sim 5V$.
- Excellent space-factor: 9 SIP/16 SOP.
- Minimum number of external parts required.
- Easy monitoring of VCO free running frequency is available at Pin 6.
- High pilot sensitivity: $V_{L(ON)} = 9mV$ (Typ).
- Lamp drive current: max lamp current = 8mA.
- VCO stop and stereo lamp turn-off are simultaneously operated by connecting Pin 7 to V_{CC} .



ORDERING INFORMATION

Device	Package	Operating Temperature
KA2264	9 SIP	- 20 °C ~ + 70 °C
KA2264D	16 SOP	

BLOCK DIAGRAM

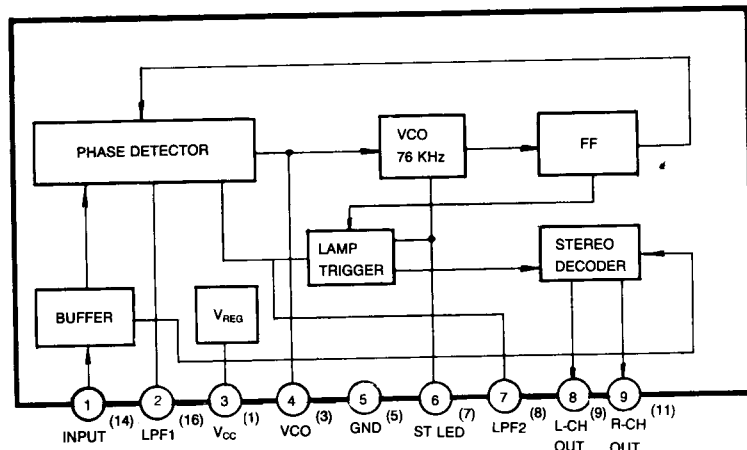


Fig. 1

() : KA2264D

ABSOLUTE MAXIMUM RATINGS ($T_a = 25^\circ\text{C}$)

Characteristic		Symbol	Value	Unit
Supply Voltage		V_{CC}	6	V
Lamp Voltage		V_{LAMP}	8	V
Lamp Current		I_{LAMP}	8	mA
Power Dissipation	KA2264	P_D	500	mW
	KA2264D		350	
Operating Temperature		T_{OPR}	-20 ~ +70	$^\circ\text{C}$
Storage Temperature		T_{STG}	-40 ~ +125	$^\circ\text{C}$

* Derated above $T_a = 25^\circ\text{C}$ in the proportion of $4\text{mW}/^\circ\text{C}$ (KA2264D: $2.8\text{mW}/^\circ\text{C}$)

ELECTRICAL CHARACTERISTICS

($T_a = 25^\circ\text{C}$, $V_{CC} = 3\text{V}$, $f = 1\text{KHz}$, unless otherwise specified)

Characteristic		Symbol	Test Conditions	Min	Typ	Max	Unit
Circuit Current		I_{CCQ}	$V_i = 0$		4.5	8.0	mA
Maximum Input Voltage		$V_{i(MAX)}$ Stereo	$L + R = 90\%$, $P = 10\%$ $f = 1\text{KHz}$, $\text{THD} = 5\%$		400		mV
Channel Separation		CS	$L + R = 180\text{mV}$ $P = 20\text{mV}$	$f = 100\text{Hz}$	35		dB
				$f = 1\text{KHz}$	30	35	
				$f = 10\text{KHz}$		35	
Total Harmonic Distortion	Mono	THD 1	$V_i = 200\text{mV}$		0.4	1.0	%
	Stereo	THD 2	$L + R = 180\text{mV}$, $P = 20\text{mV}$		0.5		
Voltage Gain		G_V	$V_i = 200\text{mV}$	-6.5	-5.0	-3.5	dB
Channel Balance		CB	$V_i = 200\text{mV}$		0	1.5	dB
Signal to Noise Ratio		S/N	$V_i = 200\text{mV}$ $R_G = 620\Omega$		82		dB
Lamp Level	ON	$V_{L(ON)}$	Pilot only		9	15	mV
	OFF	$V_{L(OFF)}$		2	6		
Lamp Hysteresis		HY			3		mV
Capture Range		CR	$P = 20\text{mV}$		± 3		%
Carrier Leakage	19KHz	V_{LKG}	$P = 20\text{mV}$ $L + R = 180\text{mV}$		32		dB
	38KHz				60		

TEST CIRCUIT 1

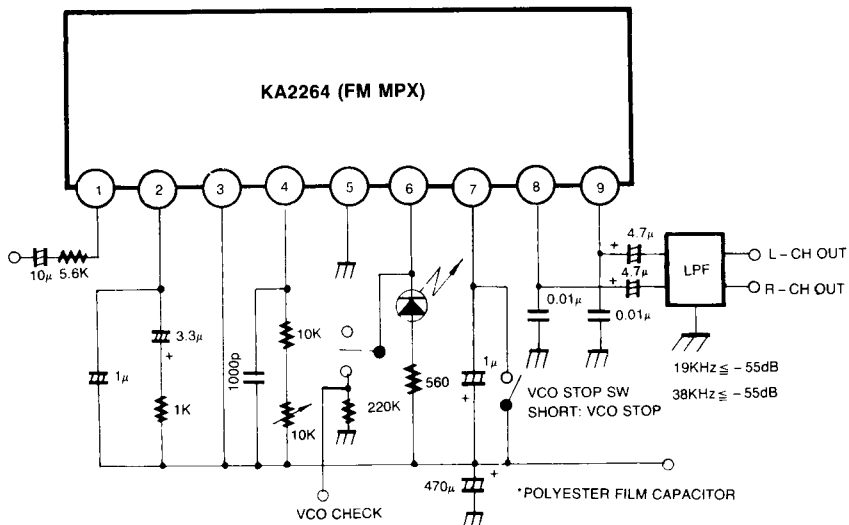


Fig. 2

TEST CIRCUIT 2

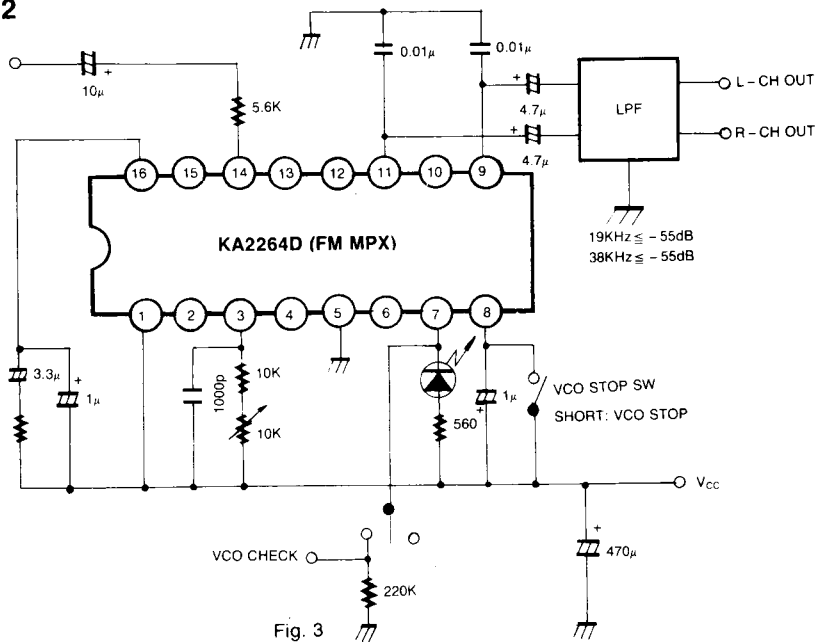


Fig. 3

This datasheet has been download from:

www.datasheetcatalog.com

Datasheets for electronics components.