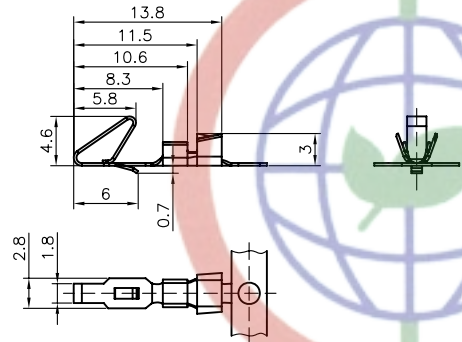


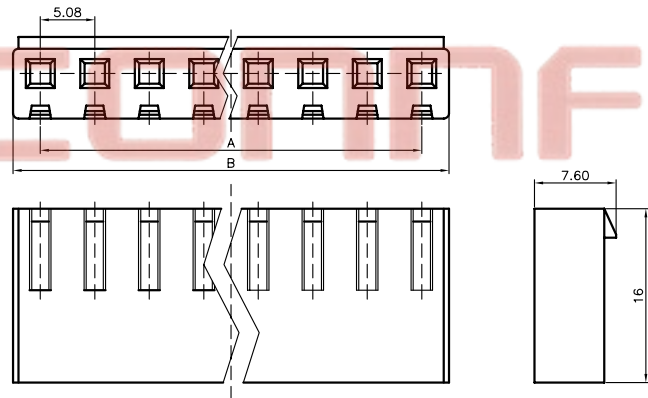
Female Terminal



Female Terminal

Wire Range		O.D of Wire
Section Area (mm ²)	AWG#	mm
0.2~0.75	24~18	1.3~2.8

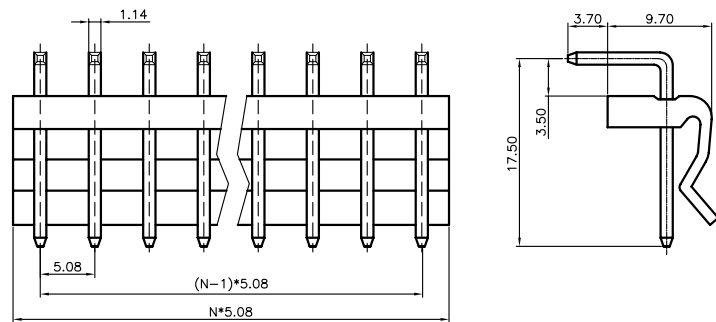
Female Housing



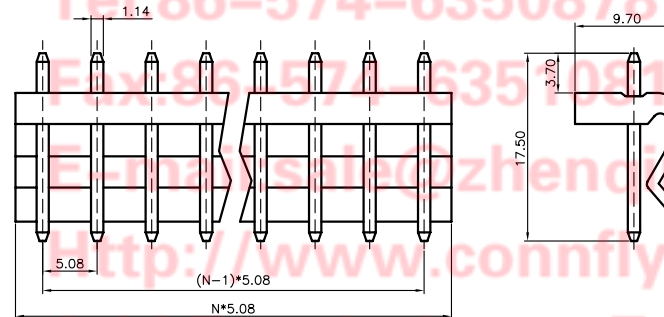
Female Housing

Position	Dimension	
	A	B
2	5.08	10.16
3	10.16	15.24
4	15.24	20.32
5	20.32	25.40
6	25.40	30.48
7	30.48	35.56
8	35.58	40.64
9	40.64	45.72
10	45.72	50.80

Male Right Angle



Male V/T TYPE



REV.	DESCRIPTION	DRAWN	CHECKED	APPROVED
A	NEW RELEASE	LL 12/04/06	~	LJC 12/04/06

NOTES:

- MAIN SPECIFICATIONS
 - Housing material: NYLON 66
 - Wire range: AWG#24~#18
 - Rated voltage: 250V
 - Rated current: 1A
 - Contact resistance: ≤ 30mΩ
 - Insulation resistance: ≥ 1000MΩ
 - Withstanding voltage: 500V,AC 1 minute
 - Temperature range: -25 ~ +85°C
 - Recommend PC board thickness: 1.6mm
- PRODUCT NUMBER CODE:

DS1074 - X X X X X

 - Contact Plating: 6: Tin, 8: Full gold flash
 - Housing Color: T: Transparent
 - Mounting type: C: Crimp, R: Right Angle, V: V/T type
 - Connector type: M: Male, F: Female
 - No. of contact: 2 to 10

GENERAL TOLERANCE		ANGLE TOLERANCE		PROJECTION	TITLE
X.	±0.60	X.	±5°	mm	P.C.B CONNECTOR PITCH 5.08mm
.X	±0.38	.X	±3°	A4	SERIES DS1074
.XX	±0.25	.XX	±2°		
DRAWING TYPE	CUSTOMER		晨翔电子有限公司 CONNFLY CONNFLY ELECTRONIC CO. LTD		
SCALE	1:1	SHEET	1 OF 1		
DRAWING NO.	C-DS1074-XXXXX-A				