

Silicon NPN Power Transistors

2SD1391

DESCRIPTION

- With TO-3PN package
- High speed switching
- High voltage,high reliability
- Wide area of safe operation

APPLICATIONS

- For horizontal deflection output applications

PINNING

PIN	DESCRIPTION
1	Base
2	Collector;connected to mounting base
3	Emitter

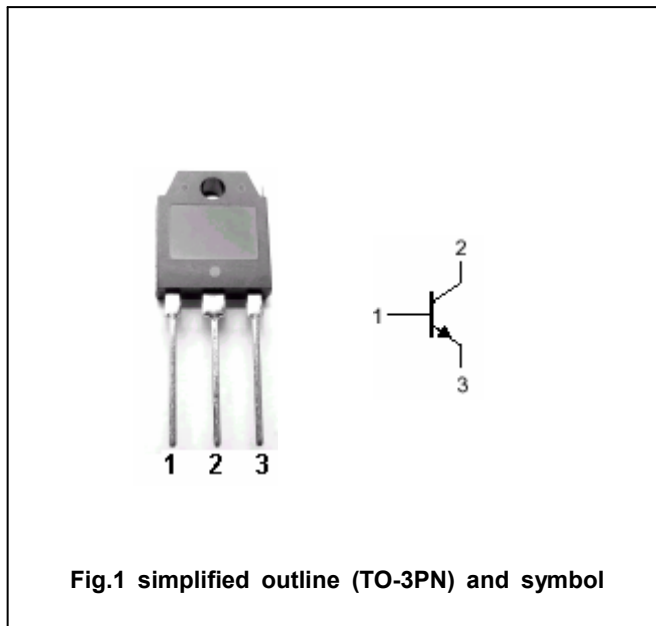


Fig.1 simplified outline (TO-3PN) and symbol

Absolute maximum ratings (Ta=25°C)

SYMBOL	PARAMETER	CONDITIONS	VALUE	UNIT
V _{CBO}	Collector-base voltage	Open emitter	1500	V
V _{CEO}	Collector-emitter voltage	Open base	700	V
V _{EBO}	Emitter-base voltage	Open collector	6	V
I _C	Collector current (DC)		5	A
I _{CM}	Collector current (Pulse)		17	A
P _C	Collector power dissipation	T _C =25°C	100	W
T _j	Junction temperature		150	°C
T _{stg}	Storage temperature		-55~150	°C

Silicon NPN Power Transistors

2SD1391

CHARACTERISTICS

T_j=25°C unless otherwise specified

SYMBOL	PARAMETER	CONDITIONS	MIN	TYP.	MAX	UNIT
V _{CEO(SUS)}	Collector-emitter sustaining voltage	I _C =100mA; I _B =0	700			V
V _{(BR)EBO}	Emitter-base breakdown voltage	I _E =1mA; I _C =0	6			V
V _{CEsat}	Collector-emitter saturation voltage	I _C =4.5A; I _B =2A			2.0	V
V _{BEsat}	Base-emitter saturation voltage	I _C =4.5A; I _B =2A			1.3	V
I _{CBO}	Collector cut-off current	V _{CB} =750V; I _E =0			50	μA
		V _{CB} =1500V; I _E =0			1.0	mA
h _{FE}	DC current gain	I _C =3A; V _{CE} =10V	4		15	
t _f	Fall time	I _C =4A I _{Bend} =1.5A, L _B =10μH			1.0	μs
t _s	Storage time				11	μs

Silicon NPN Power Transistors

2SD1391

PACKAGE OUTLINE

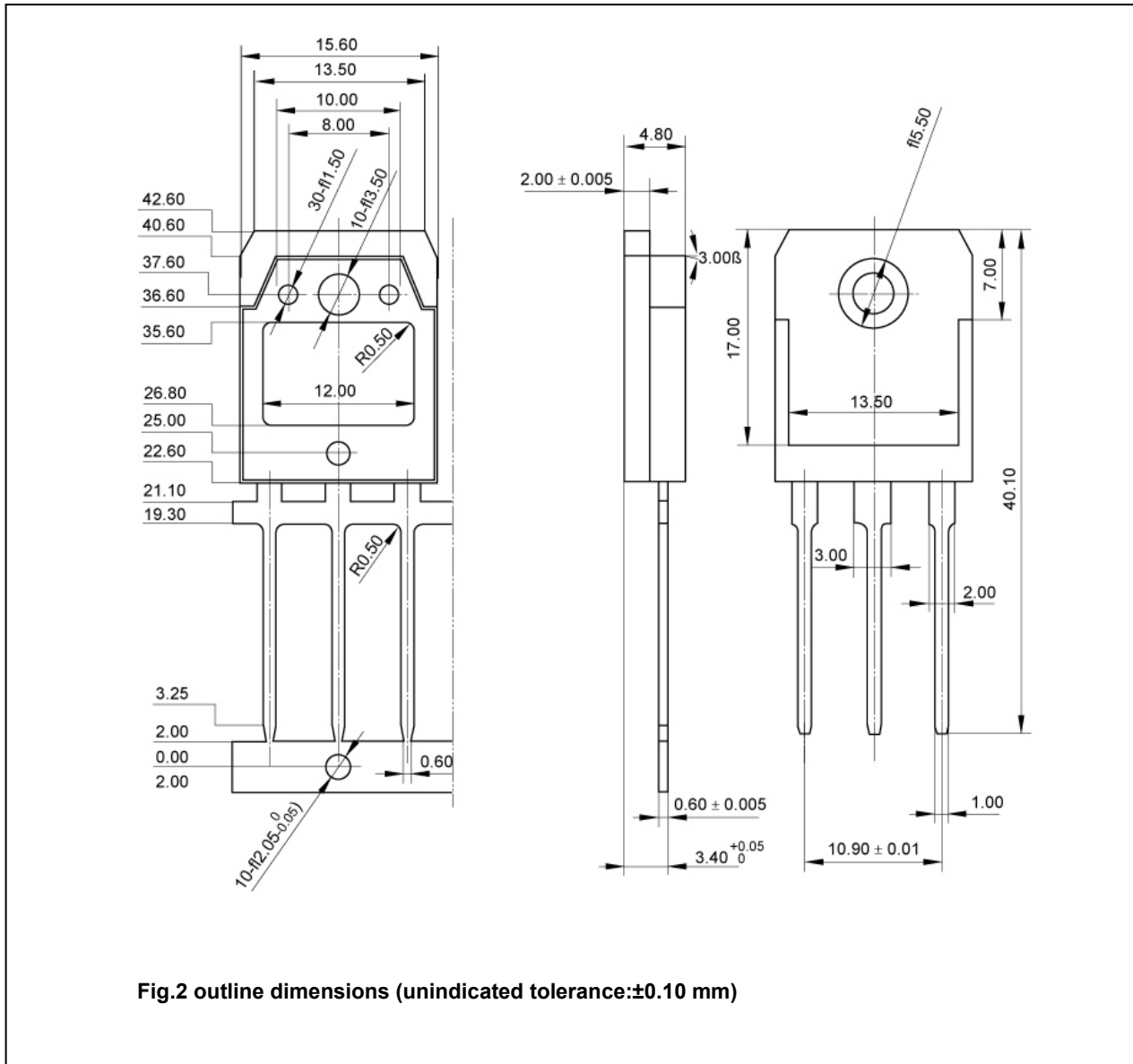


Fig.2 outline dimensions (unindicated tolerance:±0.10 mm)