

# Transistors

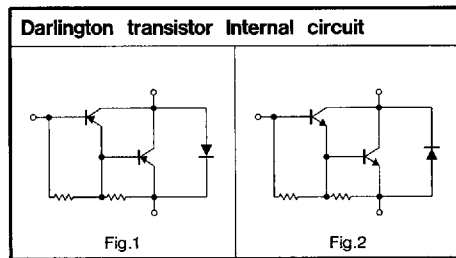
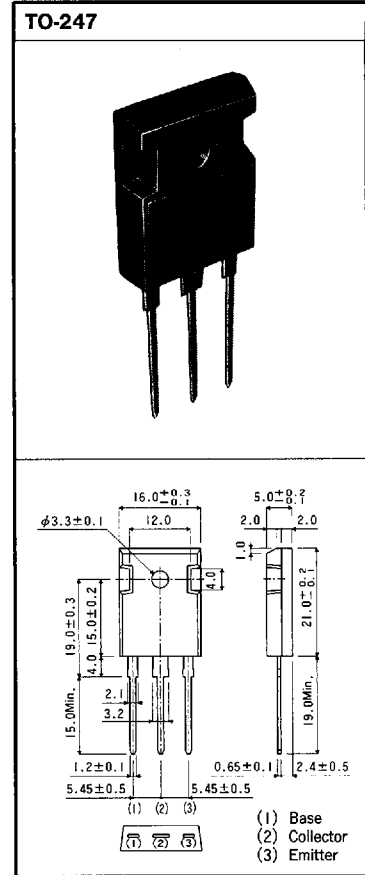
## TO-247

TO-220 class high output power package with  $P_c$  60 to 100W.

(Unit : mm)

Application	Part No.	$V_{CE0}$ (V)	$I_c$ (A)	$P_c$ (W) $T_c = 25^\circ C$	$h_{FE}$	$h_{FE}$	$V_{CE}$ (V)	$I_c$ (A)	Internal circuit
						Ranking code			
Driver	☆2SB1477	-100	-5	60	60~320	D E F	-5	-1	-
	☆2SB1345	-80	-7	80	60~320	D E F	-5	-1	-
	☆2SD2236	100	5	60	60~320	D E F	5	1	-
	☆2SD2062	80	7	80	60~320	D E F	5	1	-
AudioOutput	2SA1788	-120	-8	80	60~320	D E F	-5	-1	-
	2SA1633	-150	-10	100	60~320	D E F	-5	-1	-
	☆2SC4652	120	8	80	60~320	D E F	5	1	-
	2SC4278	150	10	100	60~320	D E F	5	1	-
Low $V_{CE(sat)}$	☆2SA1789	-60	-12	80	60~320	D E F	-2	-2	-
	☆2SC4653	60	12	80	60~320	D E F	2	2	-
	☆2SC4847	120	5 circuit	60	60~200	D E	5	3	-
High Voltage SW	☆2SC4850	120	7 circuit	60	60~200	D E	5	3	-
	☆2SC4277	400	5	80	16~50	A B	5	3	-
	☆2SC5114	500	5	80	10~50	-	5	2.5	-
Darlington	☆2SC5118	550	4	80	10~50	-	5	2	-
	☆2SB1478	-100	-8	60	2k~20k	-	-3	-2	Fig.1
	☆2SD2237	100	8	60	2k~20k	-	3	2	Fig.2

Note : ☆ Under development



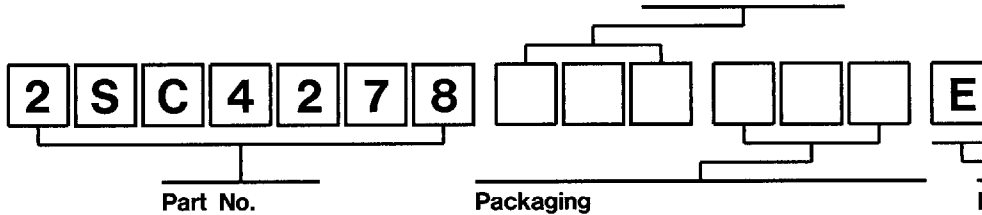
Note : ☆ Under development

### Product Designation

- When ordering, specify the type.
- Check each code against the tables shown below.
- Fill a space with the next character.

### Special code

- Omit for standard product.
- Factory assigned for custom product.



### Packaging

Package	Code	Package specifications	Quantity/Package (pcs)
TO-247	None	Bulk	200
	F31	Packed in forming tray	500

Others package specifications are under consideration.  
Ask for details.

### $h_{FE}$ Ranking code

Input  $h_{FE}$  rank signal display  
One rank preferred  D   
Multiple rank preferred  D  F  
(Min., Max. is displayed)

Code	$h_{FE}$ Range
A	16~32
B	25~50
C	40~80
D	60~120
E	100~200
F	160~320
G	250~500
H	400~800
J	600~1200
K	1000~2000