

6427525 N E C ELECTRONICS INC 05E 22688 D

BIPOLAR ANALOG INTEGRATED CIRCUIT

μ PC1213C

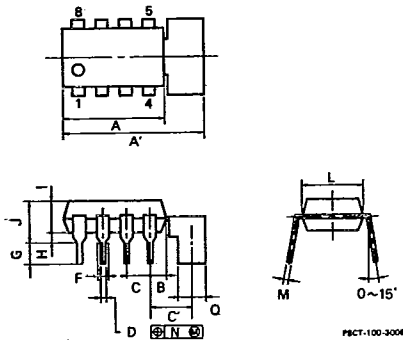
T-74-05-01

AUDIO POWER AMPLIFIER

DESCRIPTION

The μ PC1213C is a silicon monolithic integrated circuit designed for an audio power amplifier used in a portable radio receiver or a portable cassette tape recorder which works at 9-volt power supply.
The μ PC1213C is encapsulated in an 8-pin dual in-line plastic package with a tab.

8 PIN PLASTIC DIP WITH TAB (300 mil)



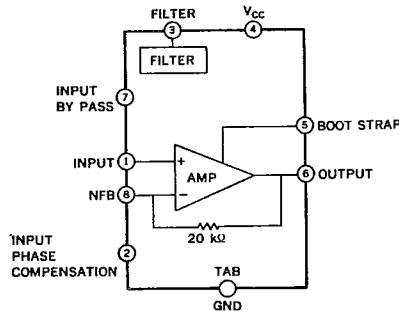
ITEM	MILLIMETERS	INCHES
A	12.70 MAX.	0.500 MAX.
A'	14.80 MAX.	0.571 MAX.
B	2.54 MAX.	0.100 MAX.
C	2.54 (T.P.)	0.100 (T.P.)
C'	3.85	0.144
D	0.50 ± 0.10	0.020 ± 0.004
F	1.1 MIN.	0.043 MIN.
G	3.5 ± 0.3	0.138 ± 0.012
H	0.51 MIN.	0.020 MIN.
I	4.31 MAX.	0.170 MAX.
J	5.08 MAX.	0.200 MAX.
L	6.4	0.252
M	0.30 ± 0.04	0.012 ± 0.002
N	0.25	0.01
Q	2.62 ± 0.10	0.103 ± 0.004

NOTE
1) Each lead centerline is located within 0.25 mm (0.01 inch) of its true position (T.P.) at maximum material condition.

FEATURES

- High output power.
 $P_o = 2.4$ W (TYP.)
at $V_{CC} = 9$ V, $R_L = 4 \Omega$, T.H.D. = 10 %
- Wide operating voltage range.
 $V_{CC} = 4.5$ to 9 to 11 V
- High ripple rejection ratio.
R.R.R. = 55 dB (TYP.)
- Soft clipping waveform.
- Have a muting circuit so that no shock noise at power supply switch on and off.
- Have a terminal to reject interference noise in strong electric field. (pin 2)

BLOCK DIAGRAM



CONNECTION DIAGRAM

No.	CONNECTION	No.	CONNECTION
1	INPUT	5	BOOTSTRAP
2		6	OUTPUT
3	FILTER	7	FILTER
4	V _{CC}	8	N. F. B.
TAB	GND		

μPC1213C

6427525 N E C ELECTRONICS INC

05E 22689 D

T-74-05-01

ABSOLUTE MAXIMUM RATINGS (T_a = 25 °C)

Supply Voltage	V _{CC1}	(No Signal)	16	V
Supply Voltage	V _{CC2}	(Operating)	11	V
Allowable Power Dissipation	P _d	*	2.4	W
Operating Temperature	T _{opt}		-20 to 70	°C
Storage Temperature	T _{stg}		-40 to 150	°C

* 50 x 50 x 0.035 mm³ copper heat sink on P.C.B.

RECOMMENDED CONDITIONS (T_a = 25 °C)

Supply Voltage	V _{CC} = 4.5 to 9 to 11 V
Load Impedance	R _L = 4 Ω

ELECTRICAL CHARACTERISTICS (T_a = 25 °C)

(V_{CC} = 9 V, R = 4Ω, f = 1 kHz, Refer to the test circuit
50 x 50 x 0.035 mm³ copper heat sink on P.C.B. unless otherwise specified)

CHARACTERISTIC	SYMBOL	MIN.	TYP.	MAX.	UNIT	CONDITION
Quiescent Circuit Current	I _{CC}	8	15	25	mA	No Signal
Open Loop Voltage Gain	A _{vo}	55	65		dB	P _O =0.25 W
Voltage Gain (Closed Loop)	A _v	41	45	48	dB	R _f =100 Ω
			34			R _f =360 Ω
Output Power	P _O	1.8	3.6		W	T.H.D.=10 %
			2.2			R _f =100 Ω
			2.4			V _{CC} =11 V, R _L =4 Ω
			1.3			V _{CC} =11 V, R _L =8 Ω
			1.0			V _{CC} =9 V, R _L =4 Ω
			0.54			V _{CC} =9 V, R _L =8 Ω
Input Sensitivity	V _{i(rms)}		19.5		mV	P _O =2.4 W
			47.3			R _L =4 Ω
						R _f =100 Ω (A _v =45 dB)
Input Sensitivity	V _{i(rms)}		2.5		mV	P _O =50 mW
			8.9			R _L =4 Ω
						R _f =100 Ω (A _v =45 dB)
Total Harmonic Distortion	T.H.D.		0.4	1.5	%	P _O =0.25 W
Output Noise Voltage	NL		0.2	0.8	mV _{r.m.s.}	R _G =0
Supply Voltage Rejection Ratio	S.V.R.	40	55		dB	R _G =0, f _{ripple} =100 Hz V _{ripple} =0.3 V _{r.m.s.}
Input Impedance	R _i	10	20		kΩ	

5

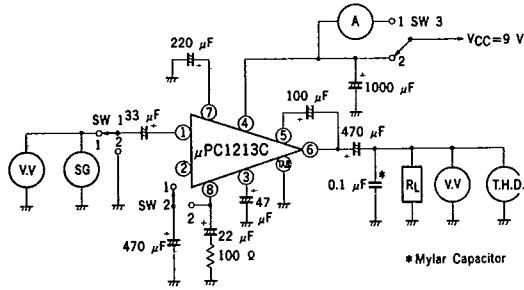
NOTE: In case that only a TYP. value is specified, this specification is for helping to design.

μPC1213C
6427525 N E C ELECTRONICS INC

05E 22690 D —

T-74-05-01

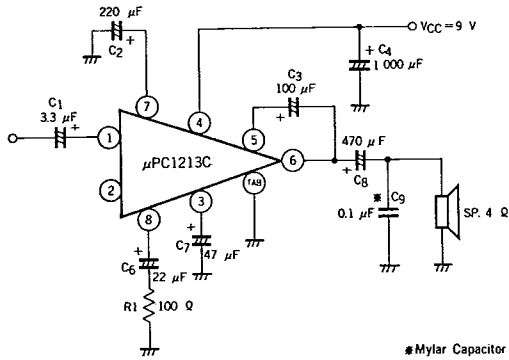
TEST CIRCUIT
Fig. 1 TEST CIRCUIT



SWITCH POSITION

ITEM		SWITCH		
		SW1	SW2	SW3
Circuit Current	I_{CC}	2	1	1
Open Loop Voltage Gain	A_{VO}	1	2	2
Voltage Gain	A_V	1	1	2
Output Power	P_O	1	1	2
Total Harmonic Distortion	T.H.D.	1	1	2
Output Noise Voltage	NL	2	1	2

TYPICAL APPLICATION
Fig. 2 SINGLE OPERATION



T-74-05-01

Fig. 3 BTL OPERATION

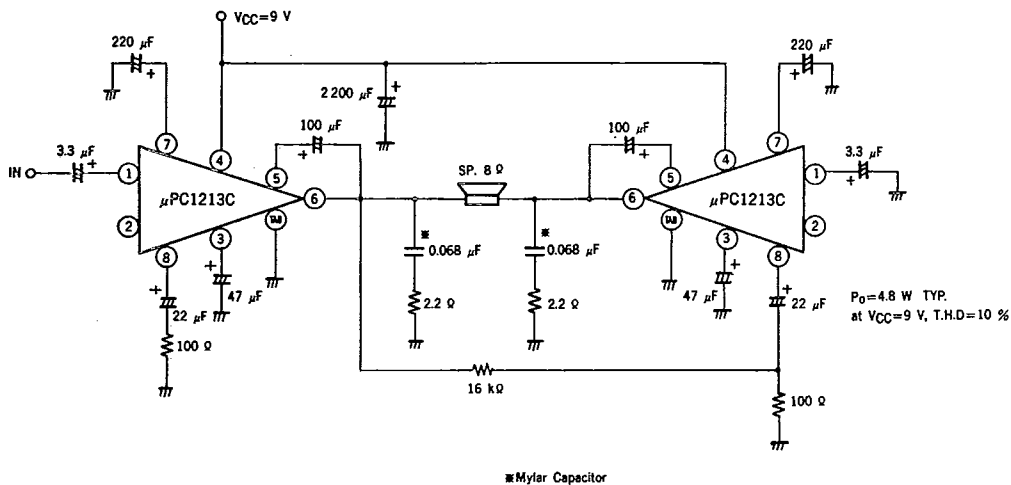
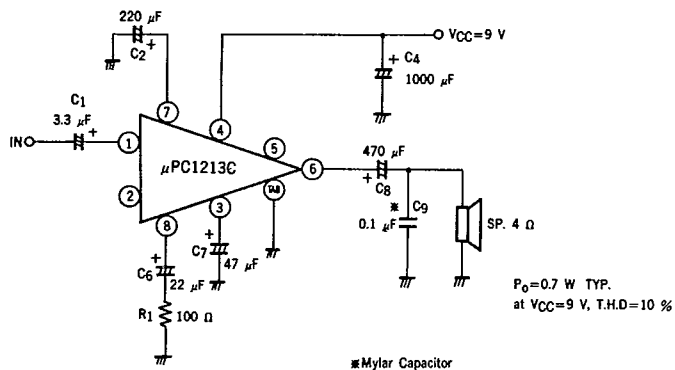


Fig. 4 SINGLE OPERATION WITHOUT BOOTSTRAP



NOTE FOR USE

- (1) Capacitor C_9 is for preventing the parasitic oscillation. A mylar capacitor is recommended for this position.
- (2) The ground side of C_4 , C_9 and the loud speaker should be attached at the place of the copper foil close to the tab of μ PC1212C.
- (3) Interference noise rejection in a strong electric field can be achieved by adding a capacitor (about 1 000 pF) between pin 1 and pin 2.

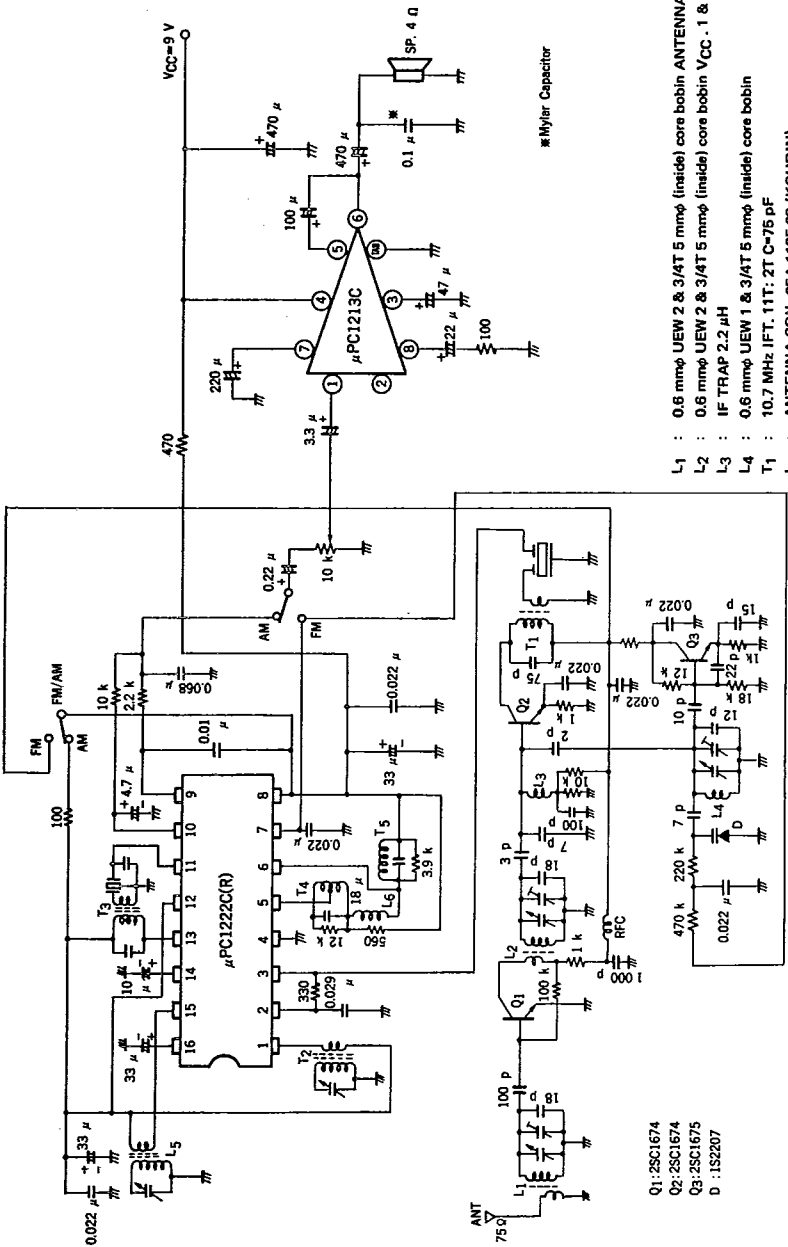
5

μPC1213C
6427525 N E C ELECTRONICS INC

05E 22692 D

T-74-05-01

APPLICATION INFORMATION
Fig. 5 LOW COST FM-AM RADIO WITH 2.4 W OUTPUT POWER (V_{CC} = 9 V)



- L1 : 0.6 mmφ UEW 2 & 3/AT 5 mmφ (inside) core bobbin ANTENNA 3/4T
- L2 : 0.6 mmφ UEW 2 & 3/AT 5 mmφ (inside) core bobbin VCC-.1 & 3/4T
- L3 : IF TRAP 2.2 μH
- L4 : 0.6 mmφ UEW 1 & 3/AT 5 mmφ (inside) core bobbin
- T1 : 10.7 MHz IFT. 11T. 2T C-75 pF
- L5 : ANTENNA COIL 25A-195-08 (KOHRI)
- T2 : AM OSC 26-1791-13 (KOHRI)
- T3 : AM IFT CFZ-455C (TOKO)
- T4 : AM DET. 5251 (TOKO)
- T5 : FM DET. 12747 (TOKO)
- L6 : PHASE SHIFT COIL 7BA180JH (TOKO)

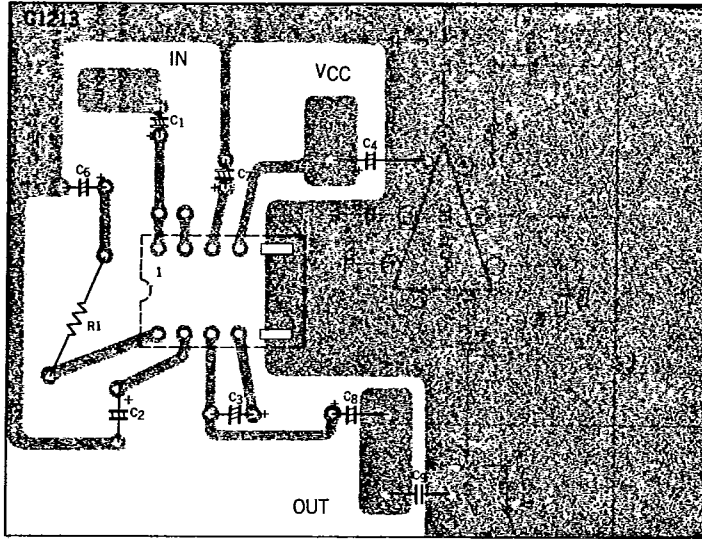
*Mylar Capacitor

- Q1: 2SC1674
- Q2: 2SC1674
- Q3: 2SC1675
- D : 1S2207

UNIT : Capacitance F
Resistance Ω

6427525 N E C ELECTRONICS INC
P.C. BOARD PATTERN (COPPER SIDE)

μ PC1213C
05E 22693 D
T-74-05-01



5

μPC1213C

6427525 N E C ELECTRONICS INC

05E 22694 D

TYPICAL CHARACTERISTICS ($T_a = 25^\circ\text{C}$)

T-74-05-01

Fig. 6 OUTPUT POWER vs. SUPPLY VOLTAGE

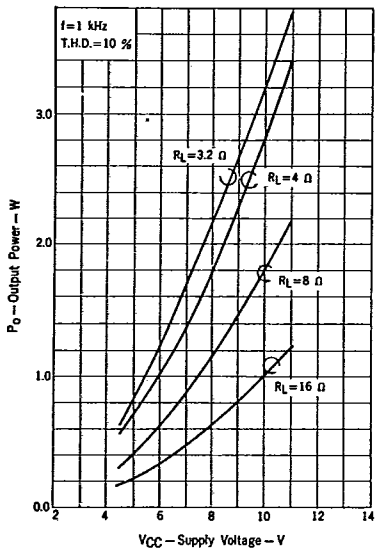


Fig. 7 TOTAL HARMONIC DISTORTION vs. OUTPUT POWER

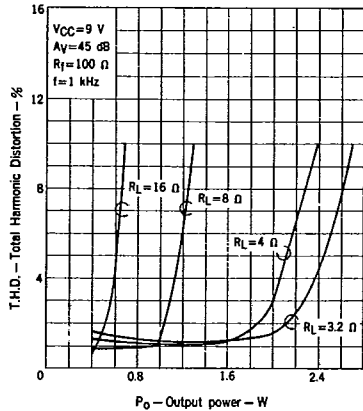
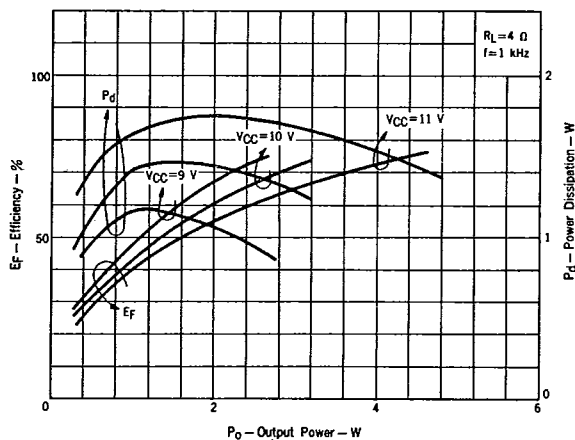


Fig. 8 POWER DISSIPATION AND EFFICIENCY vs. OUTPUT POWER



6427525 N E C ELECTRONICS INC

μ PC1213C
05E 22695 D
T-74-05-01

Fig. 10 QUIESCENT OUTPUT VOLTAGE AT PIN 6 vs. SUPPLY VOLTAGE

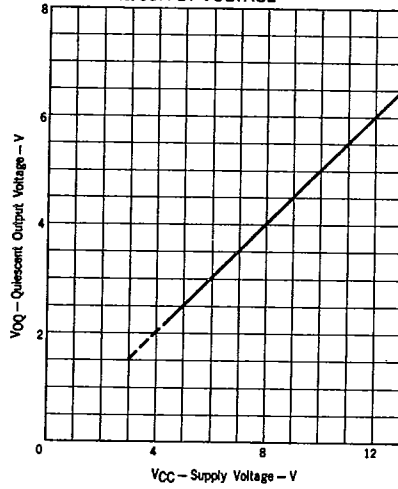


Fig. 9 VOLTAGE GAIN (CLOSED LOOP) vs. R_f

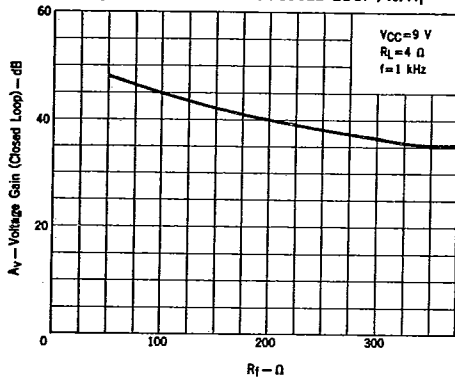


Fig. 11 INPUT SENSITIVITY vs. R_f

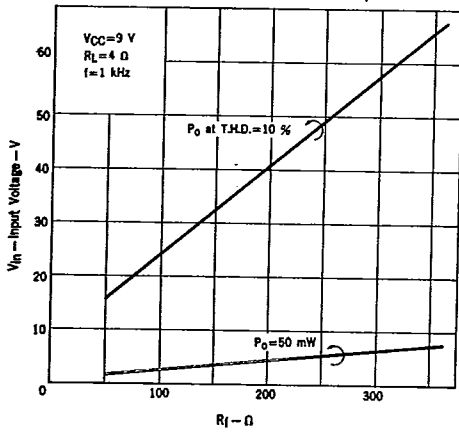
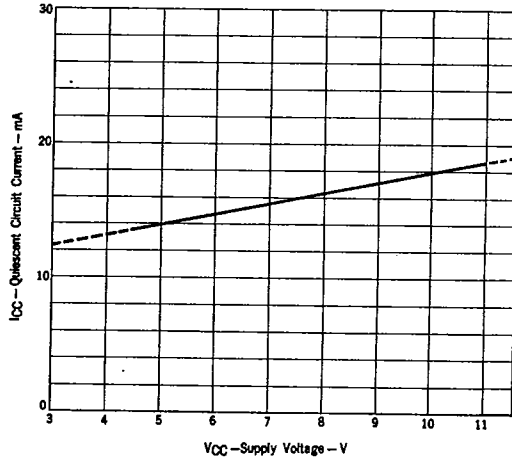


Fig. 12 QUIESCENT CIRCUIT CURRENT vs. SUPPLY VOLTAGE



5

μ PC1213C

6427525 N E C ELECTRONICS INC

05E 22696 D

T-74-05-01

Fig. 13 OPEN LOOP VOLTAGE GAIN, VOLTAGE GAIN vs. FREQUENCY

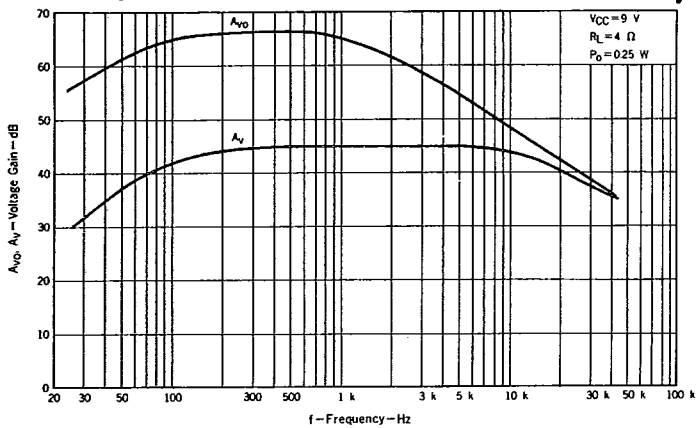


Fig. 14 TOTAL HARMONIC DISTORTION vs. FREQUENCY

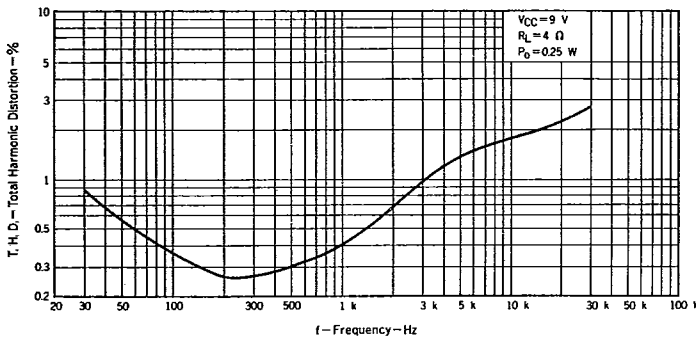
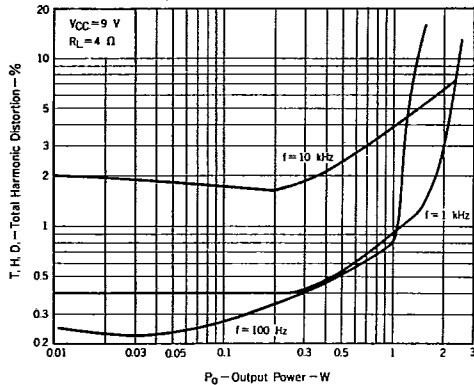
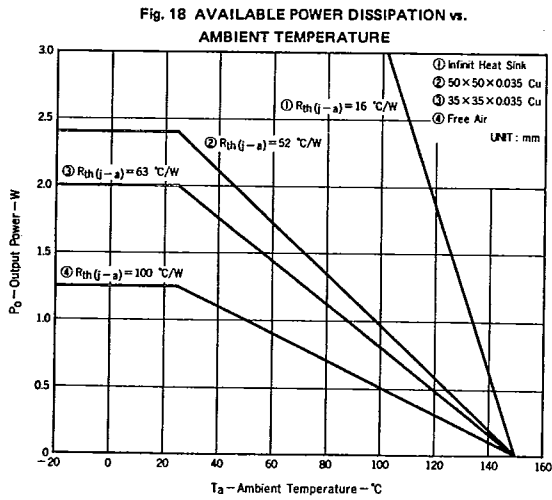
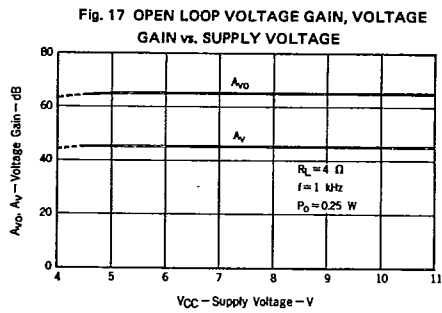
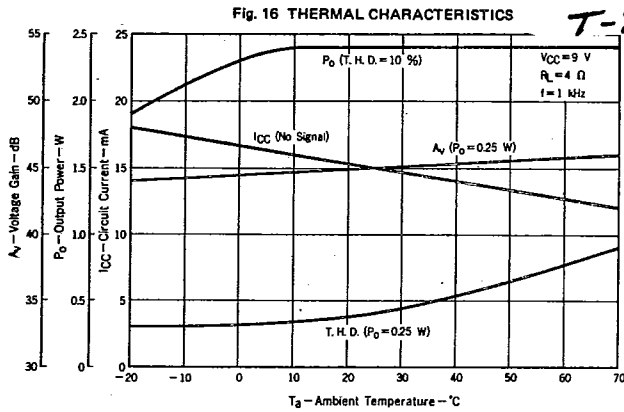


Fig. 15 TOTAL HARMONIC DISTORTION vs. OUTPUT POWER



T-74-05-01



5

μ PC1213C

6427525 N E C ELECTRONICS INC

05E 22698 D

T-74-05-01

DESIGN OF HEAT SINK

Keep much margin at the design of heat sink.

The heat sink shown the folling sentence is nessesary when the μ PC1213C is operated under next conditions.

Conditions : Maximum Operating Voltage 10 V
 Maximum Ambient Temperature 70 °C
 Load Impedance 4 Ω

There is the equation between junction temperature and thermal resistance.

$$T_j = T_a + R_{th(j-a)} \times P_d \quad (1)$$

T_j : Junction Temperature

T_a : Ambient Temperature

$R_{th(j-a)}$: Thermal Resistance (Junction to Ambient)

P_d : Power Dissipation

According to Fig. 8, $P_d(\text{MAX.}) = 1.42 \text{ W}$ at $V_{CC} = 10 \text{ V}$

And absolute maximum rating shows, $T_j < 150 \text{ }^\circ\text{C}$

From the equation (1) and those values,

$$R_{th(j-a)} < 56.3 \text{ }^\circ\text{C/W} \quad (2)$$

According to Fig. 18, copper size on P.C.B. satisfying the inequality (2) is $50 \times 50 \times 0.035 \text{ mm}^3$.