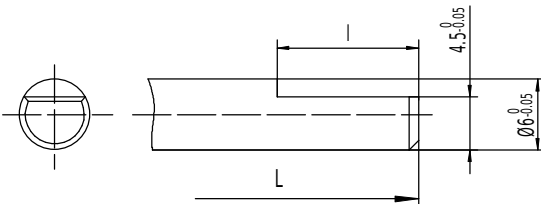
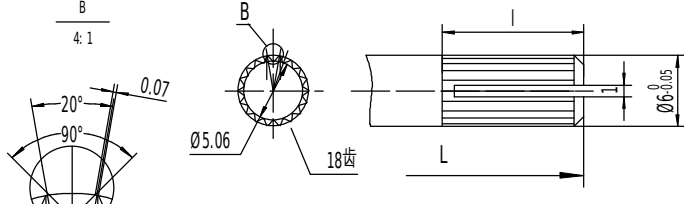


WH148

ROTARY CARBON COMPOSITION POTENTIOMETERS

Main performance	WH148
Rated power	A 0.125W 0.063W (50°C)
Max. operating Voltage	AC 150V
Resistance range & tolerance	470Ω --2MΩ ±20%
End resistance	R < 50KΩ 20Ω Max R ≥ 50KΩ 50Ω Max
Rotational noise	≤ 47mV
Tracking error	±3dB -40--0dB)
Rotation torque	2--20mN.m
Total mechanical travel	300°±5°
Mechanical endurance	10000 Cycles

The metal shaft F-type shaft type	The metal shaft K-shaft type																				
 <table border="1" data-bbox="574 1243 798 1321"> <tr> <td>L</td> <td>15</td> <td>20</td> <td>25</td> <td>30</td> </tr> <tr> <td>I</td> <td>7</td> <td>12</td> <td>12</td> <td>12</td> </tr> </table>	L	15	20	25	30	I	7	12	12	12	 <table border="1" data-bbox="1308 1243 1532 1321"> <tr> <td>L</td> <td>15</td> <td>20</td> <td>25</td> <td>30</td> </tr> <tr> <td>I</td> <td>7</td> <td>12</td> <td>12</td> <td>12</td> </tr> </table>	L	15	20	25	30	I	7	12	12	12
L	15	20	25	30																	
I	7	12	12	12																	
L	15	20	25	30																	
I	7	12	12	12																	

Model for filling out order contact

WH148 -1 A - - □ - - 1 - - 10K Ω - - A - - F25
 Model 1 Vertical A Single Unit D Soft positioning Termination Type Nominal resistance Resistance taper Axis type and length
 2 Horizontal B Double J Ratchet

