

VERY LOW CONSUMPTION CURRENT.
VOLTAGE DETECTOR ICs.

Function of this IC is accurately resetting the system after detecting voltage at the time of switching power on and instantaneous power off in various CPU systems and other logic systems.

FEATURES

- Current Consumption is Low. $I_{CC1}=100\mu A$ Typ. $I_{CC2}=1.0\mu A$ Typ.
- Resetting Output Minimum Guarantee Voltage is Low 0.8V Typ.
- Hysteresis Voltage is Provided. 50mV Typ.
- Reset Signal Generation Starting Voltages:

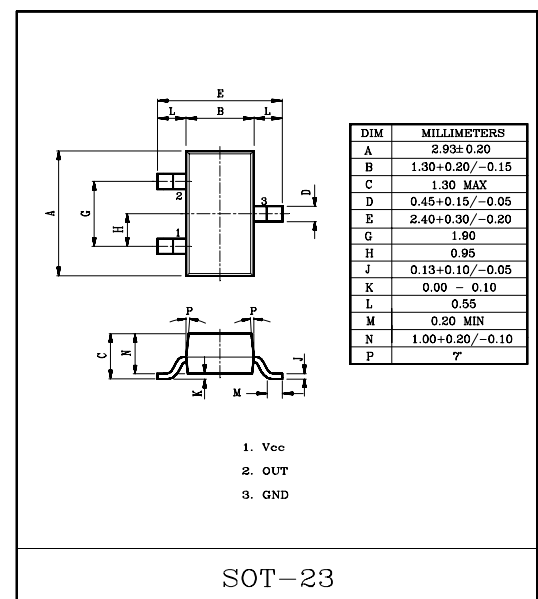
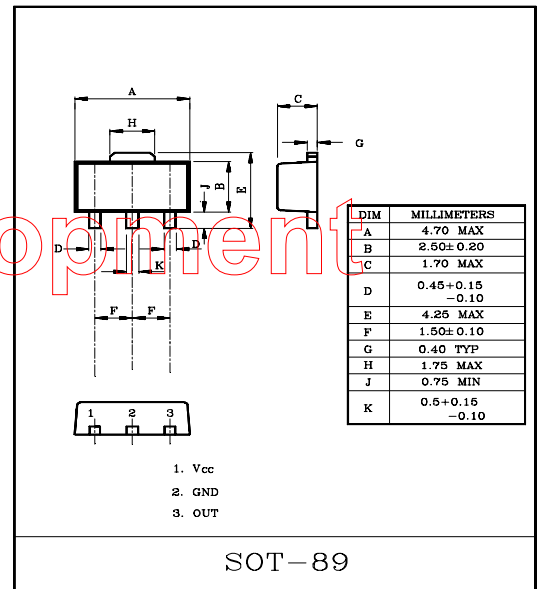
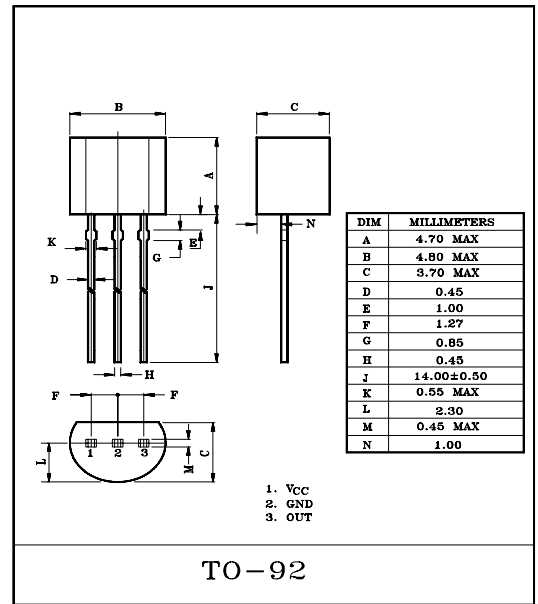
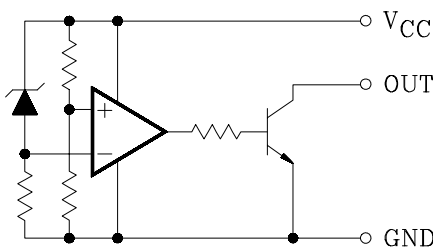
KIA7219P/F/S	1.9V Typ.	KIA7233P/F/S	3.3V Typ.
KIA7221P/F/S	2.1V Typ.	KIA7234P/F/S	3.4V Typ.
KIA7223P/F/S	2.3V Typ.	KIA7235P/F/S	3.5V Typ.
KIA7225P/F/S	2.5V Typ.	KIA7236P/F/S	3.6V Typ.
KIA7227P/F/S	2.7V Typ.	KIA7239P/F/S	3.9V Typ.
KIA7229P/F/S	2.9V Typ.	KIA7242P/F/S	4.2V Typ.
KIA7231P/F/S	3.1V Typ.	KIA7245P/F/S	4.5V Typ.
KIA7232P/F/S	3.2V Typ.		

MARKING

Type No.	$V_{S(Typ)}$ (V)	Marking	Type No.	$V_{S(Typ)}$ (V)	Marking
KIA7219	1.9	F 2A	KIA7233	3.3	F 2J
		S 72A			S 72J
KIA7221	2.1	F 2B	KIA7234	3.4	F 2K
		S 72B			S 72K
KIA7223	2.3	F 2C	KIA7235	3.5	F 2L
		S 72C			S 72L
KIA7225	2.5	F 2D	KIA7236	3.6	F 2M
		S 72D			S 72M
KIA7227	2.7	F 2E	KIA7239	3.9	F 2N
		S 72E			S 72N
KIA7229	2.9	F 2F	KIA7242	4.2	F 2P
		S 72F			S 72P
KIA7231	3.1	F 2G	KIA7245	4.5	F 2R
		S 72G			S 72R
KIA7232	3.2	F 2H			
		S 72H			

Note) F : SOT-89 / S : SOT-23

EQUIVALENT CIRCUIT



KIA7219P/F/S ~ KIA7245P/F/S

MAXIMUM RATINGS (Ta=25°C)

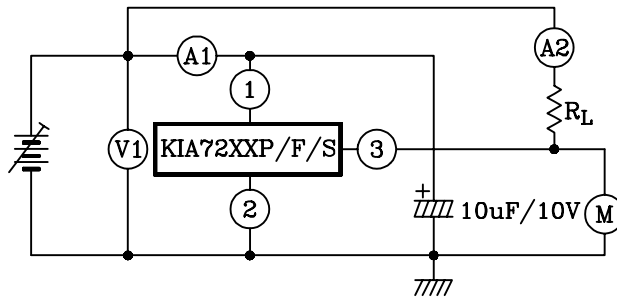
CHARACTERISTIC		SYMBOL	RATING	UNIT
Supply Voltage		V _{CC}	-0.3~+10.0	V
Power Dissipation (Package Limitation)	KIA7219P~45P	P _D	400	mW
	KIA7219F~45F		500	
	KIA7219S~45S		350	
Operating Temperature		T _{opr}	-30~+75	°C
Storage Temperature		T _{stg}	-55~+150	°C

ELECTRICAL CHARACTERISTICS

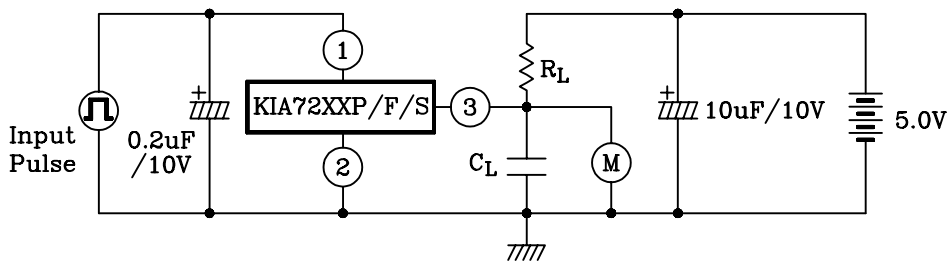
CHARACTERISTIC	SYMBOL	TEST CIR.	TEST CONDITION	MIN.	TYP.	MAX.	UNIT	
Detecting Voltage	V _S	1	R _L =470Ω V _{OL} ≤0.4V	KIA7219P/F/S	1.75	1.9	2.05	V
				KIA7221P/F/S	1.95	2.1	2.25	
				KIA7223P/F/S	2.15	2.3	2.45	
				KIA7225P/F/S	2.35	2.5	2.65	
				KIA7227P/F/S	2.55	2.7	2.85	
				KIA7229P/F/S	2.75	2.9	3.05	
				KIA7231P/F/S	2.95	3.1	3.25	
				KIA7232P/F/S	3.05	3.2	3.35	
				KIA7233P/F/S	3.15	3.3	3.45	
				KIA7234P/F/S	3.25	3.4	3.55	
				KIA7235P/F/S	3.35	3.5	3.65	
				KIA7236P/F/S	3.45	3.6	3.75	
				KIA7239P/F/S	3.75	3.9	4.05	
				KIA7242P/F/S	4.05	4.2	4.35	
KIA7245P/F/S	4.35	4.5	4.65					
Low-Level Output Voltage	V _{OL}	1	R _L =470Ω	-	-	0.4	V	
Output Leakage Current	I _{OH}	1	V _{CC} =10V	-	-	0.1	μA	
Hysteresis Voltage	ΔV _S	1	R _L =470Ω	30	50	100	mV	
Detecting Voltage Temperature Coefficient	V _S /ΔT	1	R _L =470Ω	-	±0.01	-	%/°C	
Circuit Current at on Time	I _{ccL}	1	V _{CC} =V _{Smin} -0.05V	-	100	150	μA	
Circuit Current at off Time	I _{ccH}	1	V _{CC} =V _{Smax} +0.1V	-	1.0	2.5	μA	
Threshold Operating Voltage	V _{opr}	1	R _L =4.7kΩ, V _{OL} ≤0.4V	-	0.8	-	V	
"L" Transmission Delay Time	tpHL	2	R _L =4.7kΩ, C _L =100pF	-	10	-	μS	
"H" Transmission Delay Time	tpLH	2	R _L =4.7kΩ, C _L =100pF	-	15	-	μS	
Output Current at on Time I	I _{oL I}	1	V _{CC} =V _{Smin} -0.05V T _C =25°C	15	-	-	mA	
Output Current at on Time II	I _{oL II}	1	V _{CC} =V _{Smin} -0.05V T _C =-30~+75°C	7	-	-	mA	

KIA7219P/F/S ~ KIA7245P/F/S

TEST CIRCUIT 1.

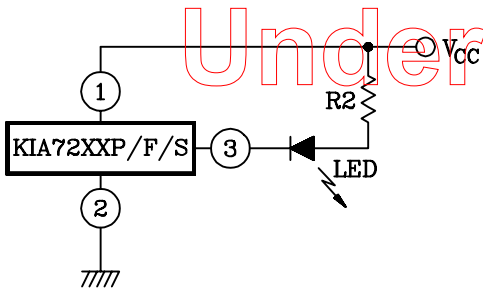


TEST CIRCUIT 2.

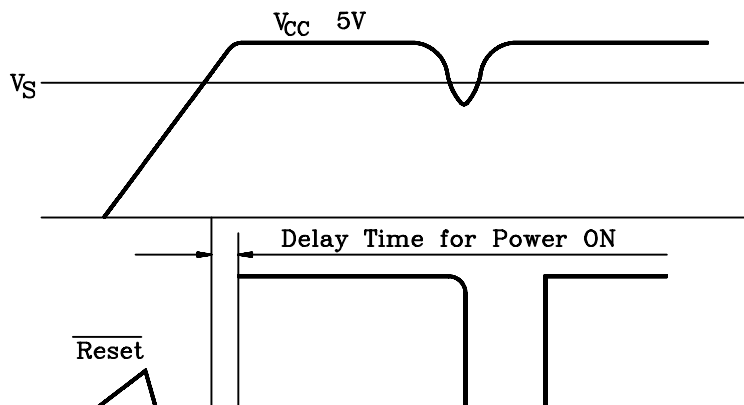
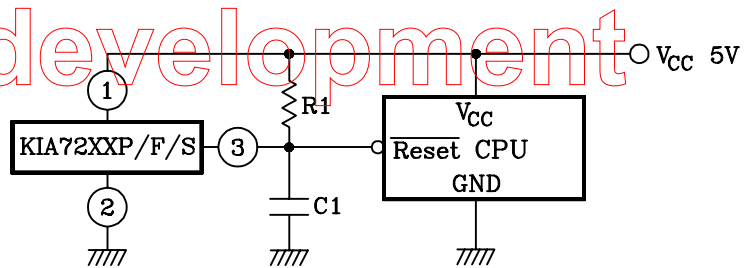


APPLICATION CIRCUIT

(1) BATTERY LOW INDICATOR



(2) CPU RESETTIMG



(NOTE)

- (1) Connecting of LED and R2 obtains a voltage drop indicator.
- (2) Connecting of C1 and selection of time constant with C1 and R1 set the power on delay time.

PRECAUTION FOR USE

SOLDERING

Flat Package (SOT-89/SOT-23 Package)

Elements mounting styles of electronic devices are gaining in further diversification over recent years, and needs for components are all the more expanding in varieties. Especially, surface mounting is steadily penetrating into industrial segments as a world-wide popular technical trend. Although exposure to high temperature is inevitable during soldering we recommend limiting the soldering temperature to low levels as shown in figure for the sake of retaining inherent excellent reliability.

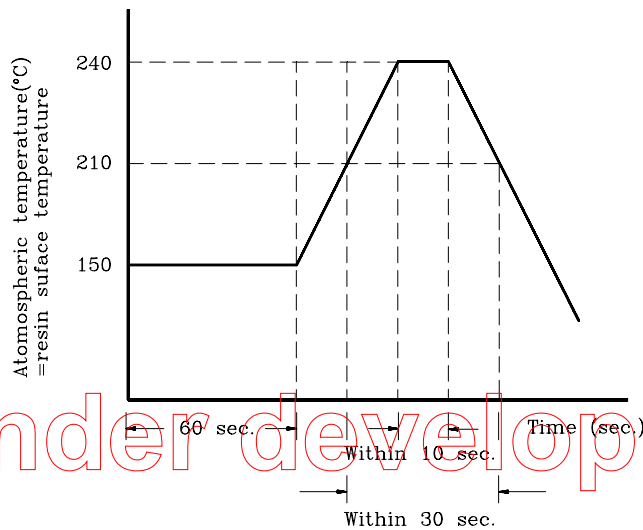


Fig 6

(a) When employing solder reflow method

- ① Atmospheric temperature around resin surfaces must be less than 240°C, not exceeding the time length of 10 sec.
- ② Recommend temperature profile
- ③ Precautions on heating method

When resin is kept exposed to high temperature for a long time, device reliability may be marred. Therefore, it is essential to complete soldering in the shortest time possible to prevent temperature of resin from rising.

(b) When employing halogen lamps or infrared-ray heaters

When halogen lamps or infrared-ray heaters are used, avoid direct irradiation onto resin surfaces; such devices cause extensive localized temperature rise.

※ Please keep a reflow solder operating when SOT-89/SOT-23 package's soldering.