

JST1151/JSR1151



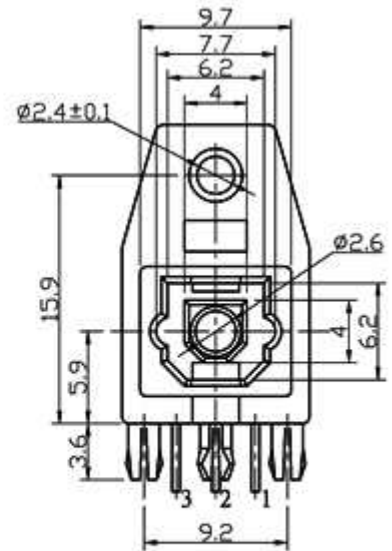
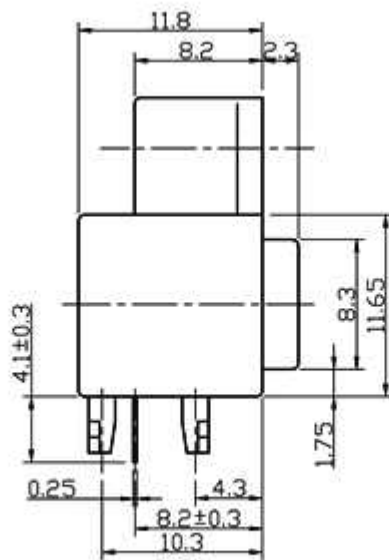
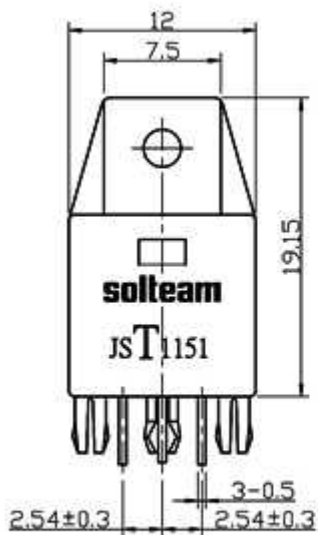
Plug type

Screw use holder

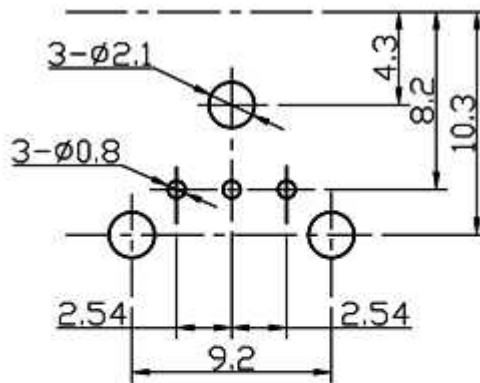
Offer TX/RX (Transmitter / Receiver)

16/25/50 Mbps optical transmitting option

Application: DVD Player, audio amplifier



PIN Function:
1.Gnd
2.Vcc
3.Vin



PCB LAYOUT(TOP VIEW)

1. Tolerances ± 0.1 mm
2. Substrate Thickness: 1.6 mm